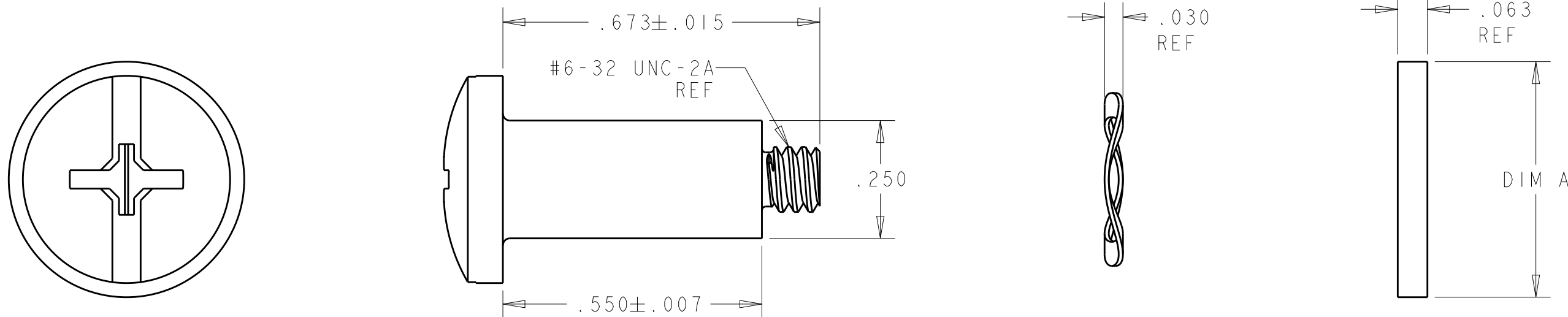
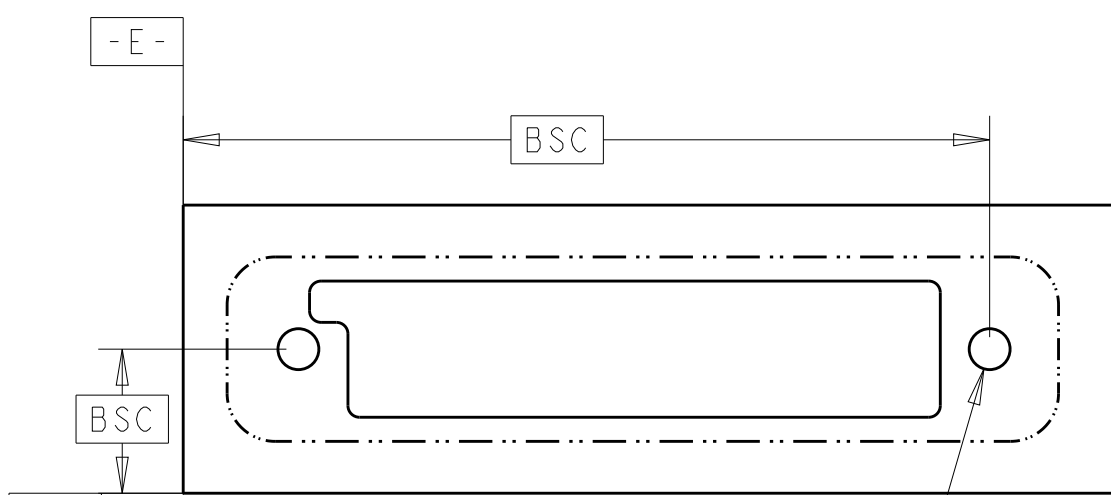


THIS DRAWING IS UNPUBLISHED. RELEASED FOR PUBLICATION 20
© COPYRIGHT 20 BY - ALL RIGHTS RESERVED.

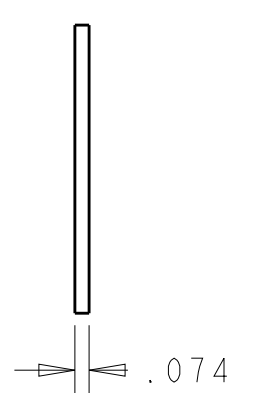
REVISIONS					
P	LTR	DESCRIPTION	DATE	DWN	APVD
	9	ADD NEW DASH NUMBERS	25MAY2014	CZ	SZ



- ① ONE(1) KIT CONSISTS OF TWO(2) EACH OF EACH PART SHOWN.
- ② BULK PACKAGED.KITS TO BE ORDERED IN MULTIPLES OF 100.
- ③ SHOULDER SCREW: STAINLESS STEEL 303
WAVE SPRING WASHER: SPRING STEEL S50C
FLAT WASHER: STAINLESS STEEL 303
- ④ RECOMMEND TO USE PEMCERT SELF-CLINCHING FLUSH NUTS,
PEM PART NUMBER:F-632-1



$\varnothing .213^{+.003}_{-.000}$
 $\varnothing .004 \text{ (S) E F}$
 2PLC



DESCRIPTION	DIM A	PART NUMBER
BULK	.405	1600000-4
KIT	.405	1600000-3
BULK ②	.500	1600000-2
KIT ①	.500	1600000-1

IF USE PEMCERT SELF-CLINCHING FLUSH NUT,
PLEASE REFER TO THIS PANEL MOUNTING HOLE
DIMENSIONS.OTHER DIMENSIONS PLEASE REFER TO
C-DRAWING OF DETAIL PART.

THIS DRAWING IS A CONTROLLED DOCUMENT.		DWN HESPER LIU 2SEP2008	STE TE Connectivity												
		CHK SUNY ZHAO 2SEP2008													
DIMENSIONS: INCHES		NAME		HARDWARE KIT PANEL MOUNT MULTI-BEAM											
TOLERANCES UNLESS OTHERWISE SPECIFIED:		PRODUCT SPEC													
<table border="0"> <tr><td>0 PLC</td><td>±-</td></tr> <tr><td>1 PLC</td><td>±0.1</td></tr> <tr><td>2 PLC</td><td>±0.02</td></tr> <tr><td>3 PLC</td><td>±0.005</td></tr> <tr><td>4 PLC</td><td>±0.0005</td></tr> <tr><td>ANGLES</td><td>±-</td></tr> </table>		0 PLC	±-	1 PLC	±0.1	2 PLC	±0.02	3 PLC	±0.005	4 PLC	±0.0005	ANGLES	±-	APPLICATION SPEC	
0 PLC	±-														
1 PLC	±0.1														
2 PLC	±0.02														
3 PLC	±0.005														
4 PLC	±0.0005														
ANGLES	±-														
MATERIAL		WEIGHT		SIZE A3											
FINISH		CUSTOMER DRAWING		CAGE CODE -											
		SCALE 1:1		DRAWING NO. C-1600000											
		SHEET 1 OF 1		RESTRICTED TO -											
		REV 9													