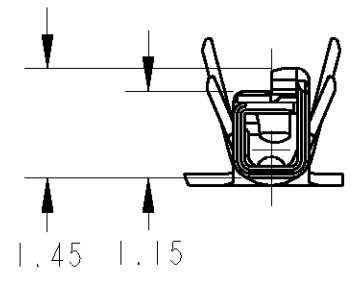
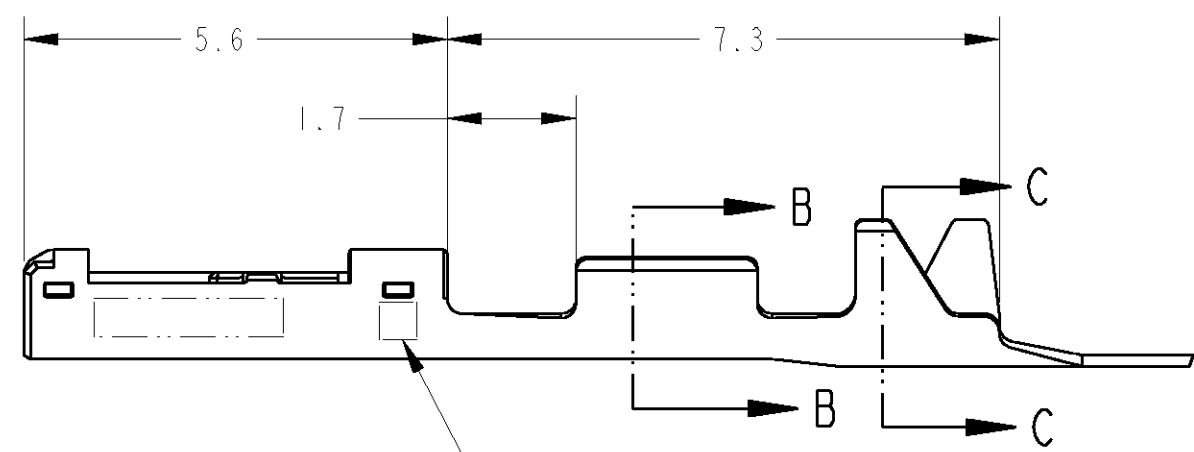
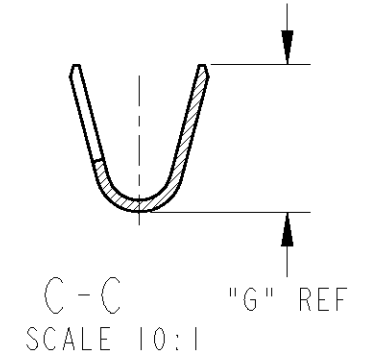
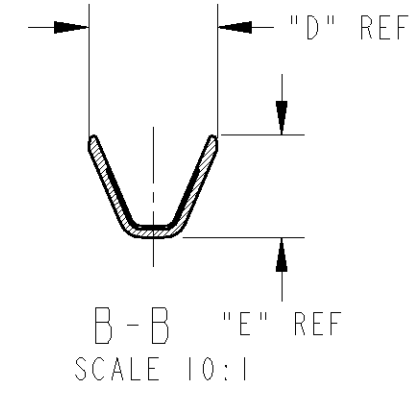
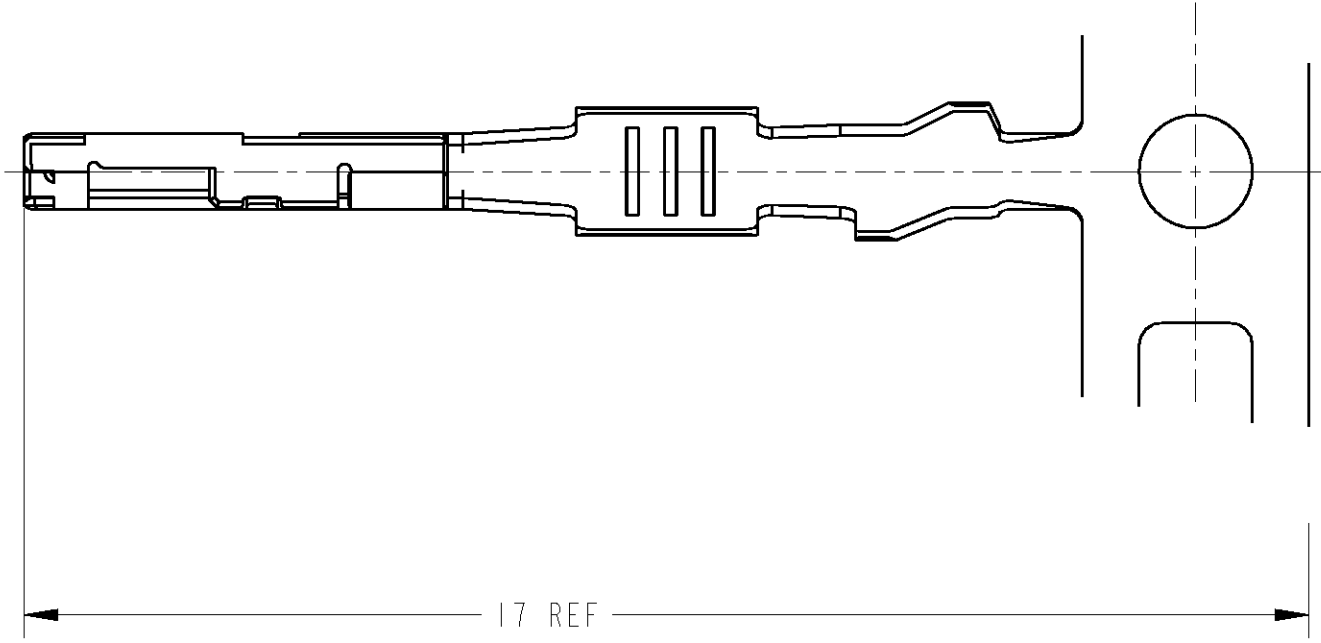


THIS DRAWING IS UNPUBLISHED. RELEASED FOR PUBLICATION 20
 © COPYRIGHT 20 BY TYCO ELECTRONICS CORPORATION. ALL RIGHTS RESERVED.

LOC	DIST	REVISIONS						
		P	LTR	DESCRIPTION	DATE	DWN	APVD	
J	-	A		RELEASED	ECR-08-017654	22JUL08	YS	HY



BARREL SIZE MARK
(SEE TABLE)

1. 適用電線; CHFUS 0.13~0.5mm²
 2. 圧着作業については、下記の規格を参照すること
取付適用規格; 114-5379
 3. アプリケータ送りピッチ; 7mm
1. APPLICABLE WIRE RANGE; CHFUS 0.13~0.5mm²
 2. MUST BE REFERRED TO THE FOLLOWING DOCUMENTS FOR CRIMPING OPERATION
APPLICATION SPEC; 114-5379
 3. APPLICATOR FEED; 7mm

	∅0.85~0.95	0.13mm ²	1.74	1.82	1.26	1.7	S	0.50 REC (S)	1827855-4
	∅1.3~1.5	0.22~0.35mm ²	2.45	2.1	1.35	1.7	C	0.50 REC (C)	1827855-3
	∅1.1~1.4	0.35~0.5mm ²	2.45	2.1	1.7	1.8	L	0.50 REC (L)	1827855-2
1903365-1	∅0.95~1.2	0.22~0.35mm ²	1.95	1.82	1.35	1.7	M	0.50 REC (M)	1827855-1
LOOSE PIECE	INS RANGE	WIRE RANGE	G	F	E	D	BARREL SIZE MARK	NAME	PART NO

THIS DRAWING IS A CONTROLLED DOCUMENT FOR TYCO ELECTRONICS CORPORATION IT IS SUBJECT TO CHANGE AND THE CONTROLLING ENGINEERING ORGANIZATION SHOULD BE CONTACTED FOR THE LATEST REVISION.		DWN Y. SUEMITSU 25APR05 CHK K. SAKAMAKI 25APR05 APVD S. ISOHATA 25APR05		Tyco Electronics AMP K.K. Kawasaki, Japan	
DIMENSIONS: 単位: 毫 mm		TOLERANCES UNLESS OTHERWISE SPECIFIED: 一般公差 ±0.3 0-PLC ± 1-PLC ±0.3 2-PLC ±0.10 3-PLC ±0.001 4-PLC ±0.001 ANGLES ±3'00"		PRODUCT SPEC 108-78208 APPLICATION SPEC 114-5379 WEIGHT 0.1 g	
MATERIAL 材料 COPPER ALLOY		FINISH 仕上 PRE-TIN		NAME 名称 RECEPTACLE CONTACT, CRIMP TYPE, 0.50 SERIES メス端子, 圧着タイプ, 0.50シリーズ	
		SIZE A3		CAGE CODE 00779	
		DRAWING NO 1827855		RESTRICTED TO -	
CUSTOMER DRAWING		SCALE 10:1		SHEET 1 OF 1 REV A	