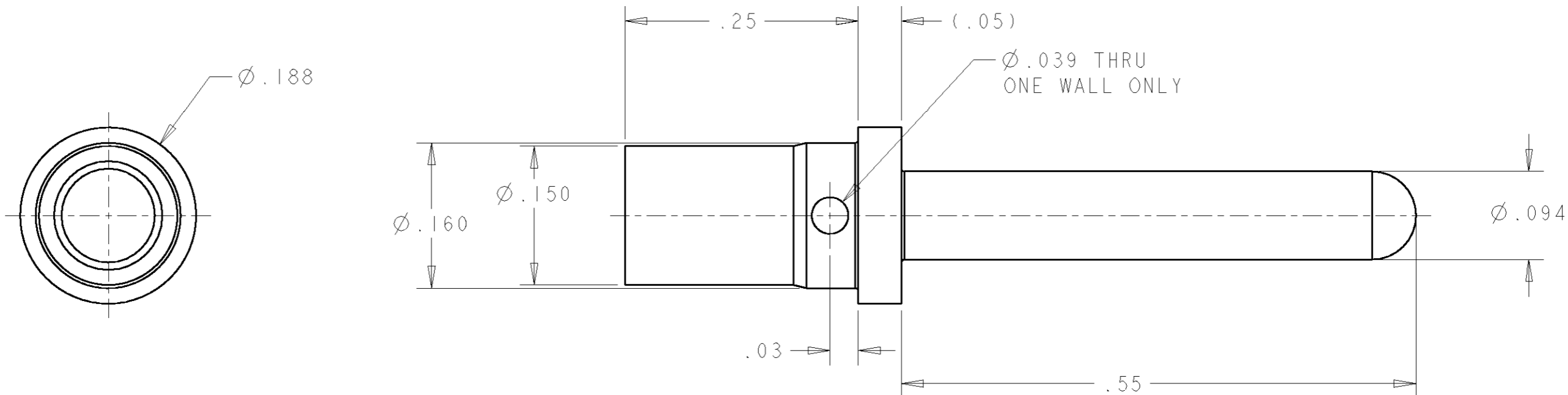


THIS DRAWING IS UNPUBLISHED. RELEASED FOR PUBLICATION 20
 © COPYRIGHT 20 BY TYCO ELECTRONICS CORPORATION. ALL RIGHTS RESERVED.

LOC	DIST	REVISIONS			
P	LTR	DESCRIPTION	DATE	DWN	APVD
GP	00	B	REV PER ECO-07-014869	25JUN2007	RG DO



1. PART NUMBER CHANGES AND/OR DESIGN CHANGES AFFECTING ITEM INTERCHANGEABILITY REQUIRE PRIOR TYCO ELECTRONICS APPROVAL AND AUTHORIZATION BY REVISION TO THIS DRAWING.

2. ITEMS PROVIDED TO THIS SPECIFICATION SHALL BE IDENTIFIED ON THE CONTAINER WITH THE FOLLOWING INFORMATION:

TYCO ELECTRONICS P/N: XXXXXXXX-X
 DATE CODE (e.g. 0106): YEAR WEEK
 XXXX

- 3 MATERIAL: COPPER ALLOY
- 4 FINISH: GOLD PLATED, .000010 MIN THICK OVER NICKEL PLATED, .000050 MIN THICK.
- 5 FINISH: GOLD PLATED, .000030 MIN THICK OVER NICKEL PLATED, .000050 MIN THICK.

6. FOR TERMINATION, USE THE FOLLOWING EQUIPMENT:
 SHOWN FOR REFERENCE ONLY (USER SPECIFIED)
 CRIMP TOOL: M22520/1-01
 TURRET HEAD/LOCATER: M22520/1-02

5	1650153-7
4	1650153-2
PART NUMBER	

<small>THIS DRAWING IS A CONTROLLED DOCUMENT FOR TYCO ELECTRONICS CORPORATION IT IS SUBJECT TO CHANGE AND THE CONTROLLING ENGINEERING ORGANIZATION SHOULD BE CONTACTED FOR THE LATEST REVISION.</small>		DWN: 25 JUN 2007 RFA/GRZYBOWSKI CHR: 25 JUN 2007 D. ORRIS APVD: 25 JUN 2007 CHAU/FLICKINGER		Tyco Electronics Tyco Electronics Harrisburg, PA 17105-3608	
DIMENSIONS: INCHES 		TOLERANCES UNLESS OTHERWISE SPECIFIED: 0 PLC ±- 1 PLC ±- 2 PLC ±.02 3 PLC ±.010 4 PLC ±- ANGLES ±.5		NAME: CONTACT, PIN, SIZE No. 12 CRIMP REMOVABLE MACHINED VERSION	
MATERIAL: 3		FINISH: 4, 5		PRODUCT SPEC: - APPLICATION SPEC: - WEIGHT: -	
CUSTOMER DRAWING		SIZE: A3 CAGE CODE: 00779 DRAWING NO: C-1650153		RESTRICTED TO: -	
SCALE: 8:1		SHEET: 1 OF 1		REV: B	