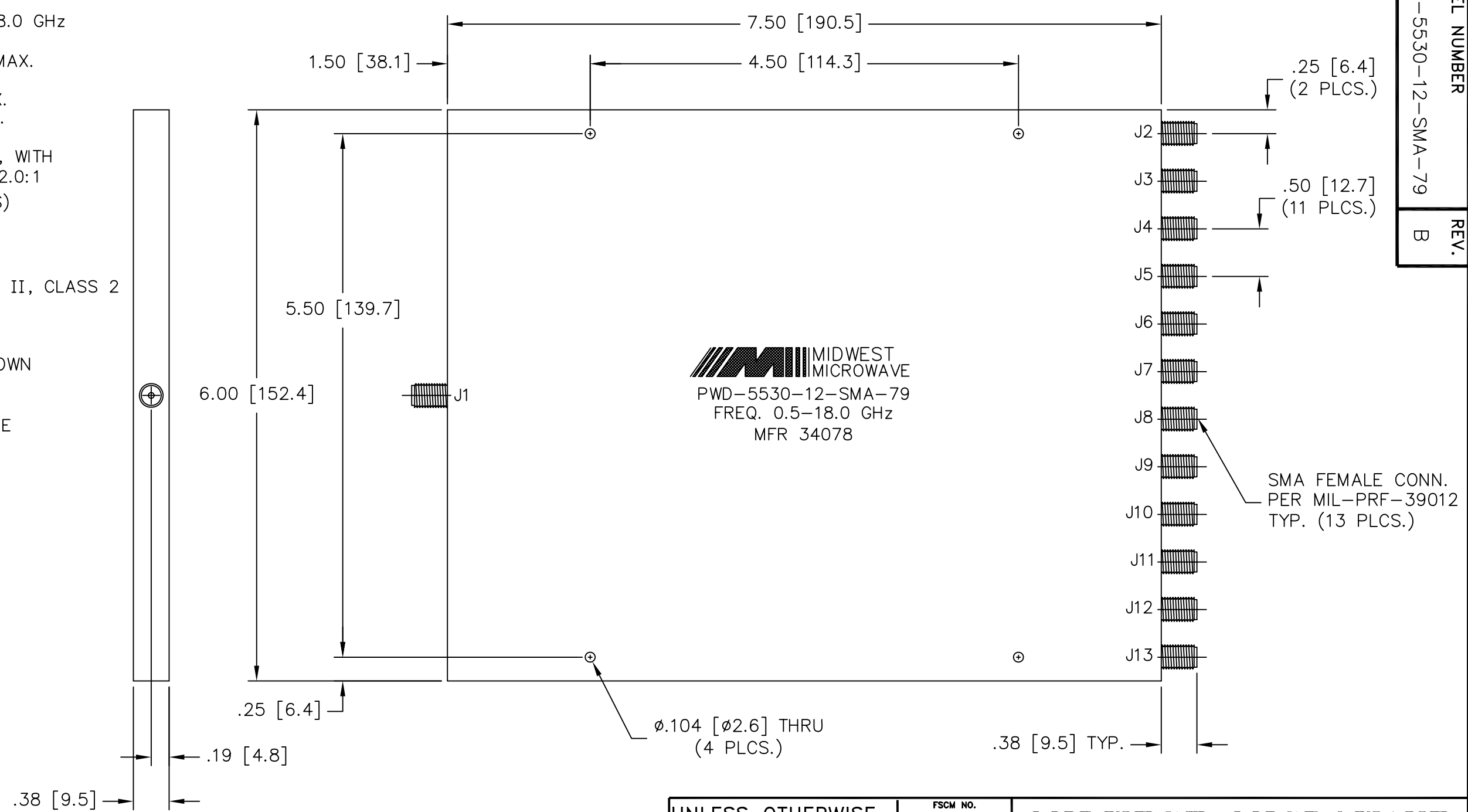


- NOTES:
- 1.0 SPECIFICATIONS:
 - 1.1 FREQUENCY RANGE: 0.5 to 18.0 GHz
 - 1.2 INSERTION LOSS: 1.2 + .30f
 - 1.3 AMPLITUDE BALANCE: 1.2dB MAX.
 - 1.4 PHASE BALANCE: 20° MAX.
 - 1.5 VSWR: INPUT, 1.60:1 MAX.
OUTPUTS, 1.50:1 MAX.
 - 1.6 ISOLATION: 15dB MIN.
 - 1.7 INPUT POWER: 50 WATTS MAX, WITH
LOAD VSWR ≤ 2.0:1
 - 1.8 WEIGHT: 24.5 Oz. (700 GRAMS)

- 2.0 FINISH:
 - GREY OVER MIL-E-15090 TYPE II, CLASS 2
 - OVER MIL-C-5541 CLASS 3A
 - MEETS MIL-F-14072
 - MEETS MIL-E-5400
- 2.1 MARKING: MARK UNIT AS SHOWN
(REF.: SLK-08069-82-01)
- 3.0 DIMENSIONS IN PARENTHESIS ARE
IN MILLIMETERS.



REV.	DESCRIPTION	DATE
-	RELEASED	7/15/04
A	ECN 20629	12/15/05
B	ECN 21133	12/5/06

UNLESS OTHERWISE NOTED DIMENSIONS ARE IN INCHES AND TOLERANCES ARE: 3 PLACE DECIMALS ±.005 2 PLACE DECIMALS ±.02 FRACTIONS ±1/64 PARALLELITY: T.I.R. _____ FLATNESS: T.I.R. _____ CONCENTRICITY: T.I.R. _____ ANGLES AND PERPENDICULARITY: ±1°	FSCM NO. 34078	MIDWEST MICROWAVE	
	NOTICE: The information contained in this drawing is proprietary and must not be used without the permission of Midwest Microwave	TITLE POWER DIVIDER	
	DRAWN/DATE S.ORLOV 6/11/04	ENG./DATE P.GOODMAN 7/15/04	DRAWING NUMBER PWD-5530-12-SMA-79
	CHECKED/DATE	APPROVED/DATE	SCALE: 1=1.2 SHEET 1 of 1