

10069524- AA B C D E FF

AA	POSITION
04	2X20
06	2X30
08	2X40
10	2X50
12	2X60
14	2X70
16	2X80
18	2X90
20	2X100

B		FOR PLUG, SEE DWG. NO. 10069525			
COMBINATION OF MATED HEIGHT	Plug 1	Plug 2	Plug 3	Plug 4	
Recep 1					
Recep 2					
Recep 3					

E	PACKAGING
0	TUBE WITHOUT METAL CAP
2	T&R WITH METAL CAP
9	TUBE WITH METAL CAP

D	POLARIZATION PEG	HOLD DOWN
0	YES	NO
2	NO	NO

C	PLATING ON CONTACT AREA	FF
0	GOLD 0.2um MIN / TIN LEAD NICKEL UNDERPLATE OVERALL 1.27um MIN	NONE
1	GOLD FLASH (0.1um MIN) OVER PALLADIUM-NICKEL 0.76um MIN / TIN LEAD NICKEL UNDERPLATE OVERALL 1.27um MIN	NONE
4	GOLD 0.2um MIN / PURE TIN 2um MIN (LEAD FREE) NICKEL UNDERPLATE OVERALL 1.27um MIN	LF
5	GOLD 0.38um MIN / PURE TIN 2um MIN (LEAD FREE) NICKEL UNDERPLATE OVERALL 1.27um MIN	LF
6	GOLD FLASH (0.1um MIN) OVER PALLADIUM-NICKEL 0.76um MIN / PURE TIN 2um MIN (LEAD FREE) NICKEL UNDERPLATE OVERALL 1.27um MIN	LF
9	GOLD 0.2um MIN / GOLD 0.05um MIN (LEAD FREE) NICKEL UNDERPLATE OVERALL 1.27um MIN	LF

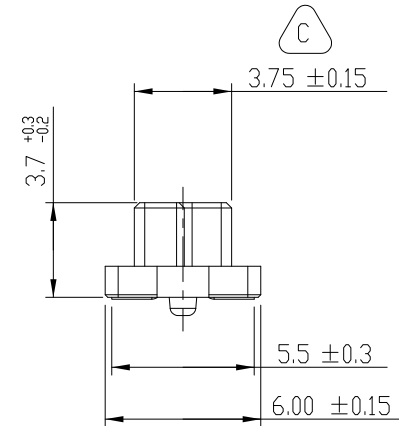
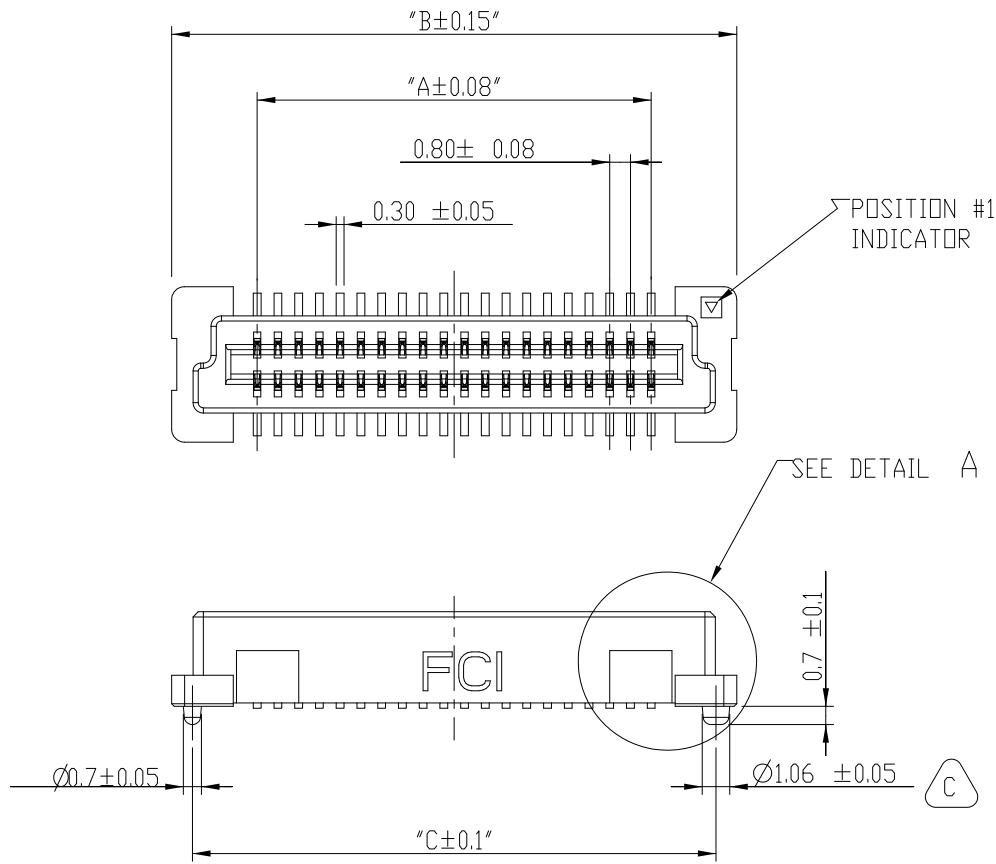
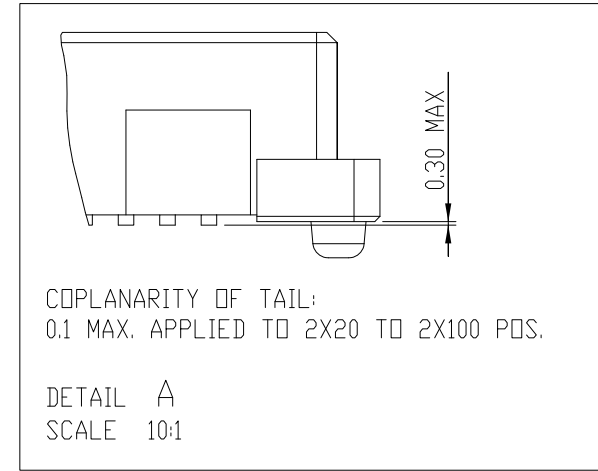
- NOTES:
- MATERIAL
HOUSING: LCP UL 94V-0
TERMINAL: NICKEL COPPER
 - PLATING
AS SHOWN IN TABLE.
 - SEE GS-12-547 FOR PRODUCT SPEC.
 - SEE GS-15-551 AND GS-14-816 FOR THE DETAILS OF PACKAGING.
PRODUCT WILL BE PACKED IN ACCORDANCE TO GLOBAL PROCEDURE GS-14-920.
 - PACKAGING OPTION 2: "NOT ALL SIZES AVAILABLE; CHECK WITH FACTORY".
 - THIS PRODUCT MEETS THE EUROPEAN UNION DIRECTIVES AND OTHER COUNTRY REGULATIONS AS DESCRIBED IN GS-22-008.
 - THE HOUSING WITH WITHSTAND EXPOSURE UP TO 260° PEAK TEMPERATURE FOR 30 SECONDS IN A CONVECTION, INFRA-RED OR VAPOR REFLOW OVEN.
 - PLATING OPTION "4" IS LEADFREE ALTERNATIVE FOR OPTION "0", AND OPTION "6" IS LEADFREE ALTERNATIVE FOR OPTION "1".
 - A SYMBOL WILL BE NEXT TO ANY DIMENSION, VIEW OR NOTE WHICH HAS BEEN MODIFIED WITH THE CURRENT DRAWING REVISION.
 - THIS PARTNUMBER ONLY CATER FOR SPECIAL CUSTOMER REQUIREMENT OF COPLANARITY OF 0.1 FOR ALL POSITION.

rev	ecn no	dr	date
A	S06-0286	MCH	2006-08-25
B	S06-0316	MCH	2006-09-25
C	S09-0326	MCH	2009-10-21
-	-	-	-
-	-	-	-
-	-	-	-
-	-	-	-

www.fciconnect.com		surface <input checked="" type="checkbox"/> ISD 1302	tolerance std <input checked="" type="checkbox"/> ISD 406	projection <input checked="" type="checkbox"/> ISD 1101	MM
		TOLERANCES UNLESS OTHERWISE SPECIFIED			Scale 17:1
Dr	M. Cheong	2006-08-25	ANGULAR	0.X	±0.20
Eng	M. Cheong	2006-08-25	LINEAR	0.XX	±0.15
Chr	M. Cheong	2009-10-21	0° ±2°	0.XXX	±0.10
Appr	Joey Ng	2009-10-21	Product family	BERGSTAK	Spec ref
FCI		title BERGSTAK 0.8MM		dwg no 10069524	
		RECEPTACLE ASSY		Rev. D	
		catalog no		CUSTOMER sheet 1 of 6	

Copyright FCI

PRODUCT NO.	NUMBER OF POSITIONS	DIMENSION		
		A	B	C
10069524-041***	2X20	15.2	21.8	20.2
10069524-061***	2X30	23.2	29.8	28.2
10069524-081***	2X40	31.2	37.8	36.2
10069524-101***	2X50	39.2	45.8	44.2
10069524-121***	2X60	47.2	53.8	52.2
10069524-141***	2X70	55.2	61.8	60.2
10069524-161***	2X80	63.2	69.8	68.2
10069524-181***	2X90	71.2	77.8	76.2
10069524-201***	2X100	79.2	85.8	84.2



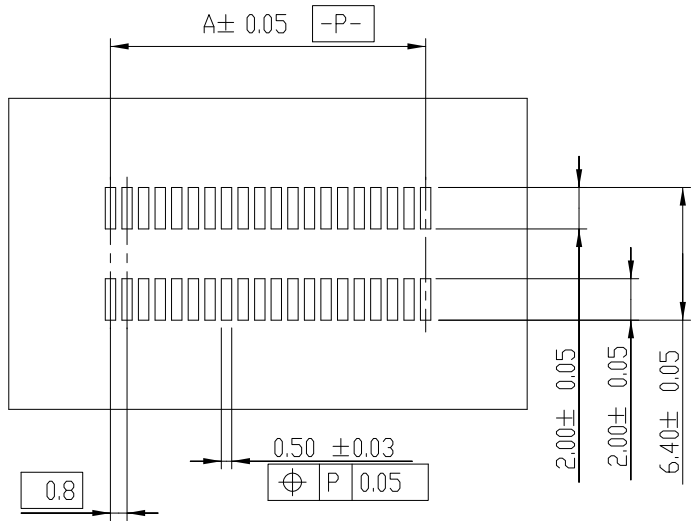
RECEPTACLE 1

	title BERGSTAK 0.8MM RECEPTACLE ASSY	dwg no 10069524	Rev. D
	catalog no -		

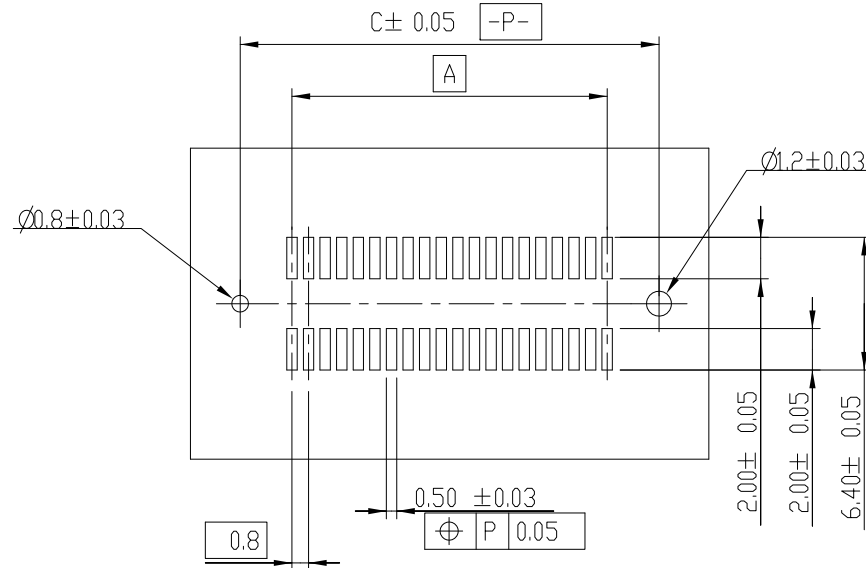


Copyright FCI.

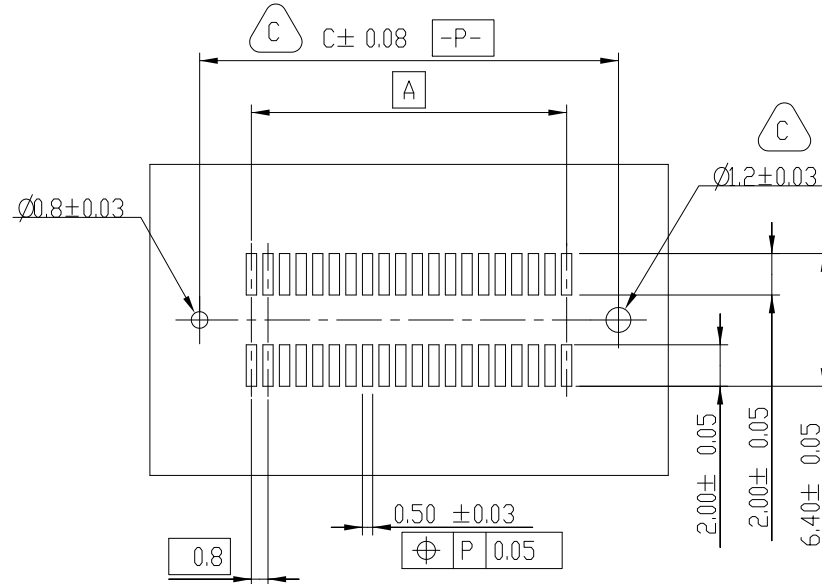
RECEPTACLE 1



RECOMMENDED PCB LAYOUT WITHOUT PEGS AND HOLDDOWN



RECOMMENDED PCB LAYOUT WITH PEGS
FOR NO. OF POSITION 2X20, 2X30, 2X40, 2X50, 2X60



RECOMMENDED PCB LAYOUT WITH PEGS
FOR NO. OF POSITION 2X70, 2X80, 2X90, 2X100



title BERGSTAK 0.8MM
RECEPTACLE ASSY
catalog no -

dwg no

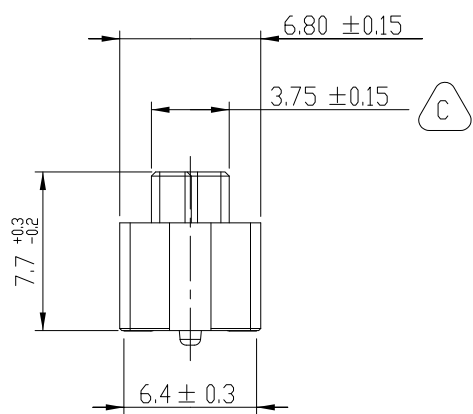
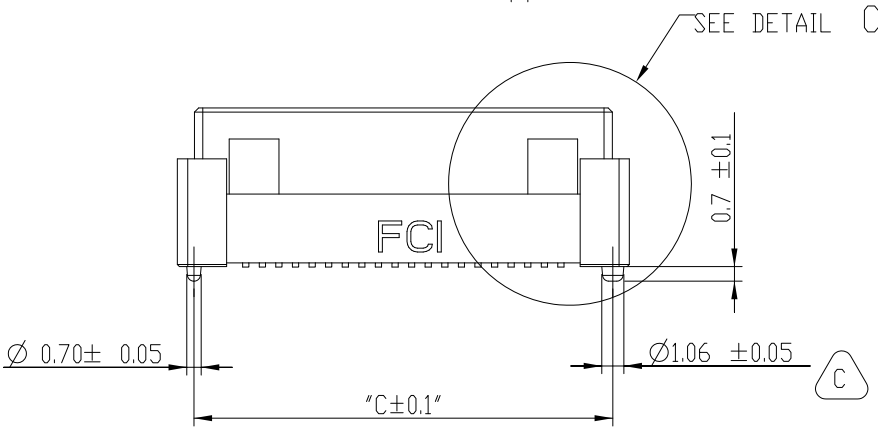
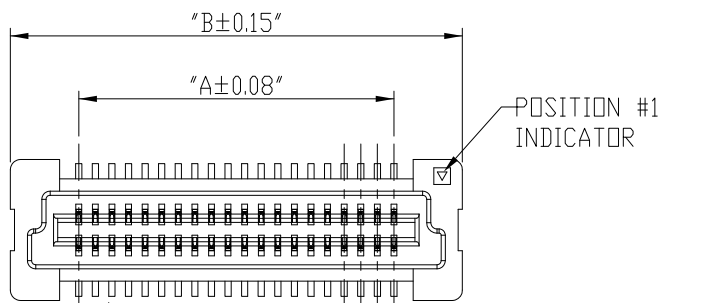
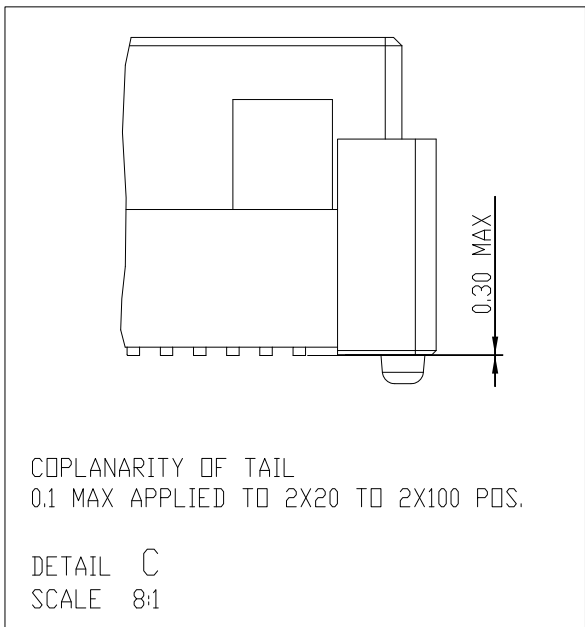
10069524

Rev. D

CUSTOMER

sheet 3 of 6

PRODUCT NO.	NUMBER OF POSITIONS	DIMENSION		
		A	B	C
10069524-042***	2X20	15.2	21.8	20.2
10069524-062***	2X30	23.2	29.8	28.2
10069524-082***	2X40	31.2	37.8	36.2
10069524-102***	2X50	39.2	45.8	44.2
10069524-122***	2X60	47.2	53.8	52.2
10069524-142***	2X70	55.2	61.8	60.2
10069524-162***	2X80	63.2	69.8	68.2
10069524-182***	2X90	71.2	77.8	76.2
10069524-202***	2X100	79.2	85.8	84.2



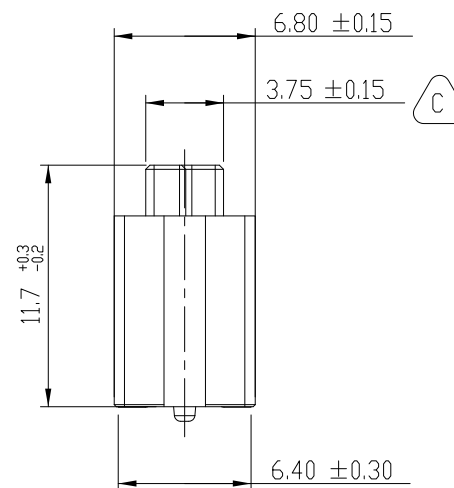
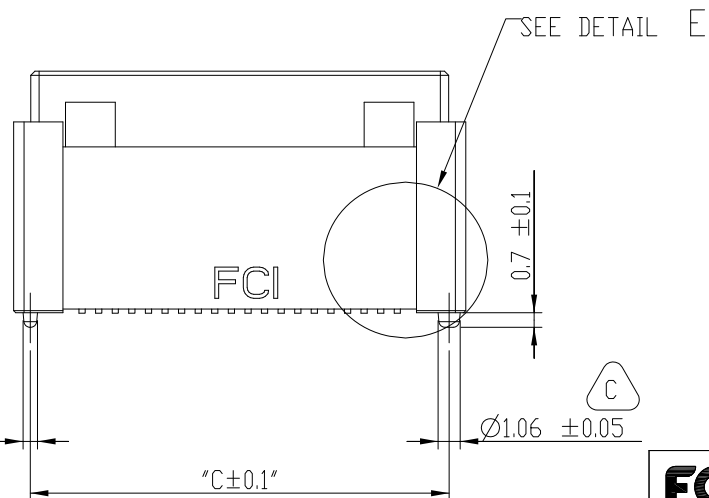
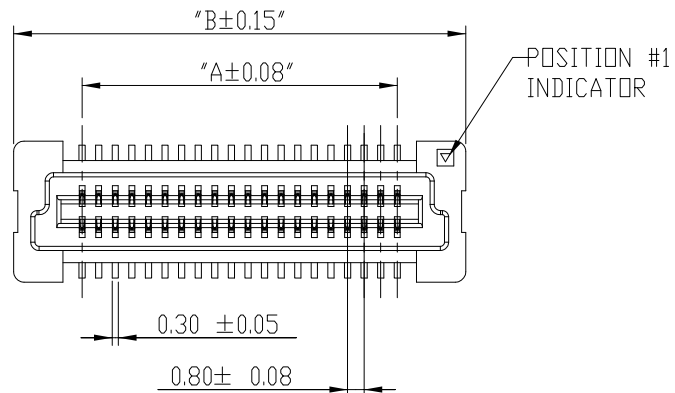
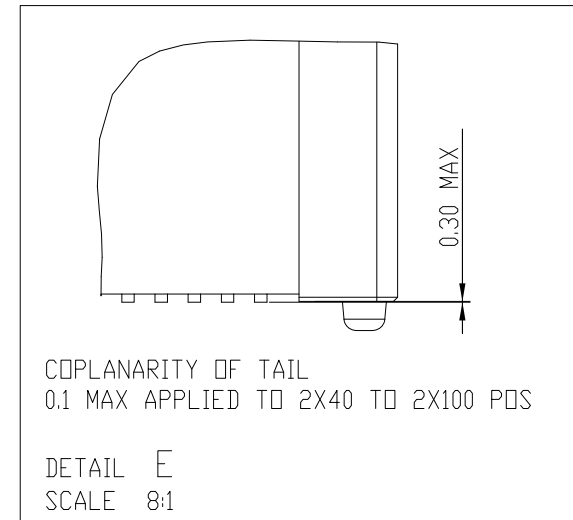
Copyright FCI.



RECEPTACLE 2

	title BERGSTAK 0.8MM RECEPTACLE ASSY	dwg no 10069524	Rev. D
	catalog no -		

PRODUCT NO.	NUMBER OF POSITIONS	DIMENSION		
		A	B	C
10069524-043***	2X20	15.2	21.8	20.2
10069524-063***	2X30	23.2	29.8	28.2
10069524-083***	2X40	31.2	37.8	36.2
10069524-103***	2X50	39.2	45.8	44.2
10069524-123***	2X60	47.2	53.8	52.2
10069524-143***	2X70	55.2	61.8	60.2
10069524-163***	2X80	63.2	69.8	68.2
10069524-183***	2X90	71.2	77.8	76.2
10069524-203***	2X100	79.2	85.8	84.2



Copyright FCI.

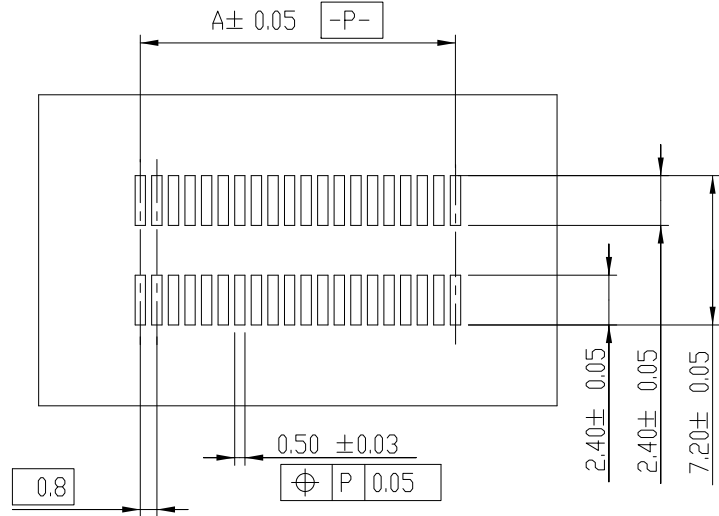
RECEPTACLE 3

	title BERGSTAK 0.8MM RECEPTACLE ASSY	dwg no 10069524	Rev. D
	catalog no -		

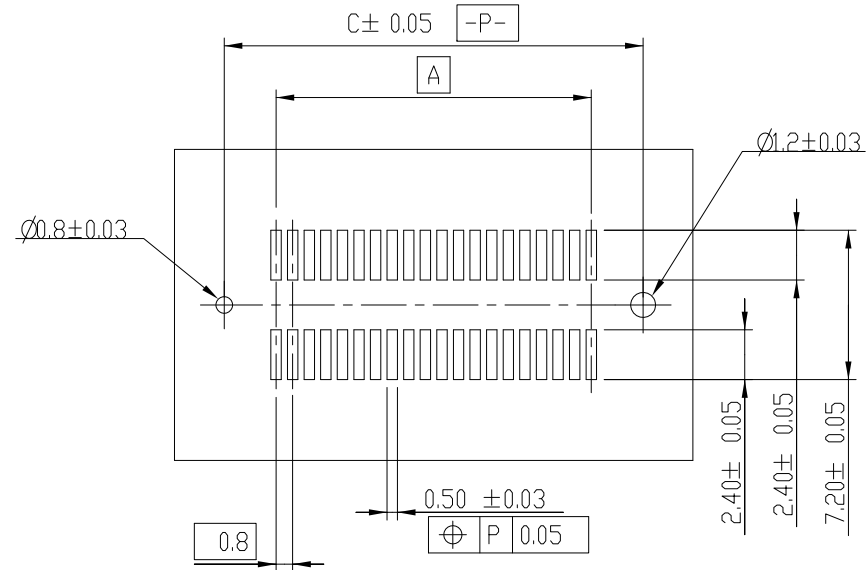


Copyright FCI.

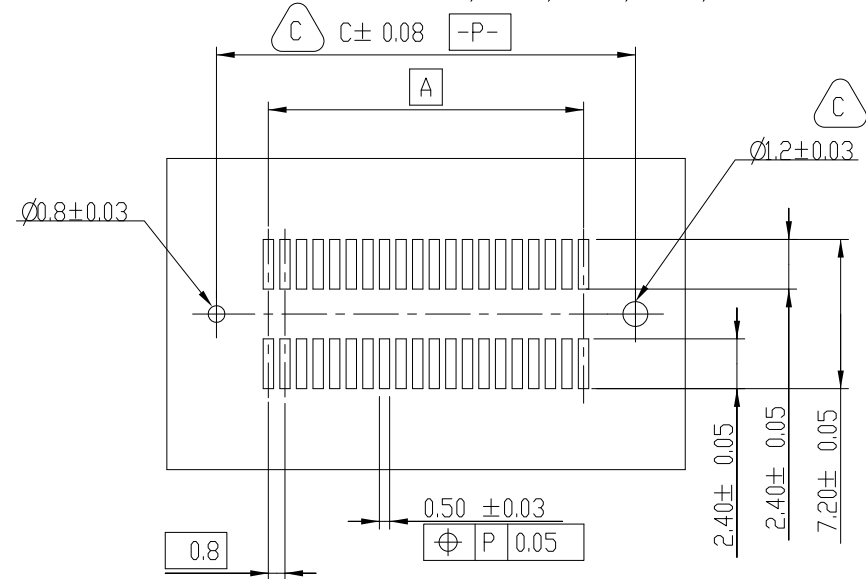
RECEPTACLE 2 & 3



RECOMMENDED PCB LAYOUT WITHOUT PEGS AND HOLDDOWN



RECOMMENDED PCB LAYOUT WITH PEGS FOR NO. OF POSITION 2X20, 2X30, 2X40, 2X50, 2X60



RECOMMENDED PCB LAYOUT WITH PEGS FOR NO. OF POSITION 2X70, 2X80, 2X90, 2X100

	title	BERGSTAK 0.8MM		dwg no	10069524	Rev.	D
	catalog no	-					