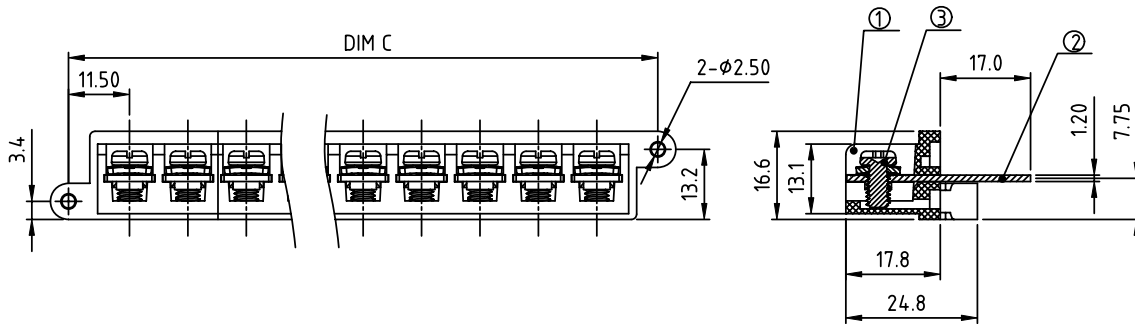
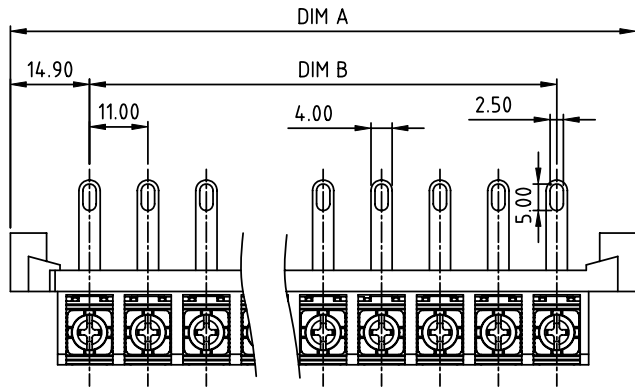


PRODUCT NUMBER	PITCH
YK111xx3x0JOG	11.00 mm



MATERIALS & ELECTRICAL

RATED VOLTAGE & CURRENT: 300V, 20 A

WITHSTAND VOLTAGE: AC 2000 V/Min

INSULATION RESISTANCE: 1000 MΩ OR MORE AT DC 500 V

OPERATING TEMPERATURE RANG: -40 °C ~ +115 °C

SCREW TORQUE VALUE: 11lb-In

WIRE RANGE: 22-12 AWG

1) HOUSING: Thermoplastic (UL 94 V-0)

2) TERMINAL: BRASS, 1.2t

3) TERMINAL SCREWS: STEEL, M4

APPROVAL:

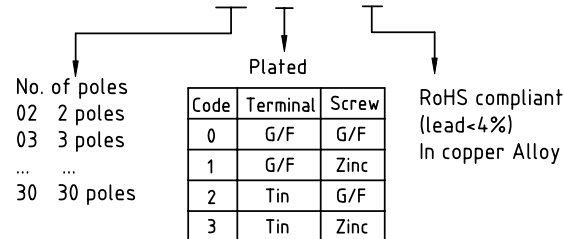
DIMENSION

Dim A	(N+1)×11.0+7.8
Dim B	(N-1)×11.0
Dim C	(N+1)×11.0+1

N=Number of poles

Poles	Tolerance
2p-8p	±0.20
9p-14p	±0.30
15p-20p	±0.40
21p-24p	±0.50
25p-30p	±0.60

PART NO.: YK 111xx 3 x 0 JOG



mat'l. code		surface ASME Y14.5 ✓	tolerance ASME Y14.5	projection 	product family TERMINAL BLOCK
ltr	ecn no	dr	date	tolerances unless otherwise specified	title TERMINAL BLOCK
				angles X°±1°	BARRIER TYPE, WITH FLANGE
				scale MM	dwg no YK111xx3x0JOG
				dr EVAN LU 061614	sheet 1 of 1 size A4
				enr EVAN LU 061614	type CUSTOMER Drawing
				chr HANKE FENG 061614	
				appd SHI JUN 061614	
sheet index	revision sheet	A	1		