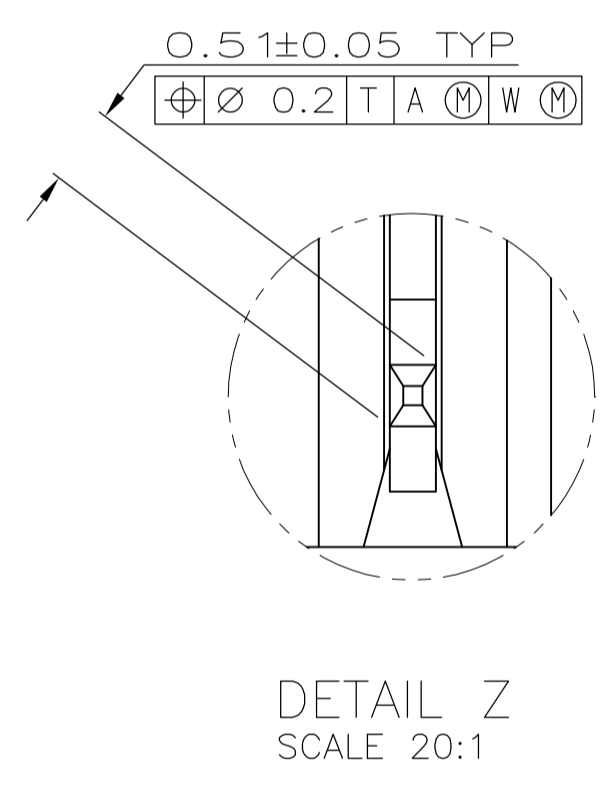
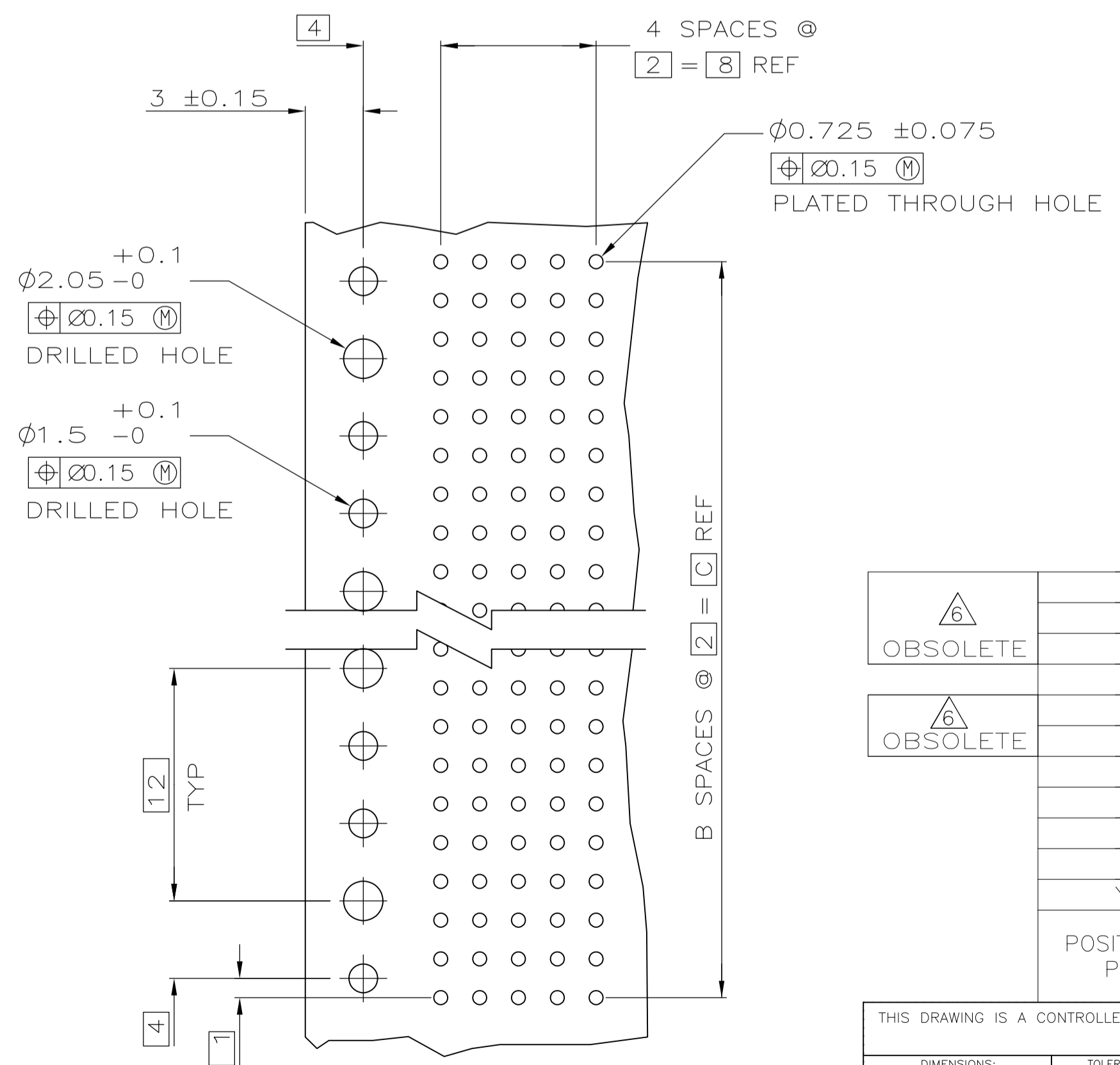
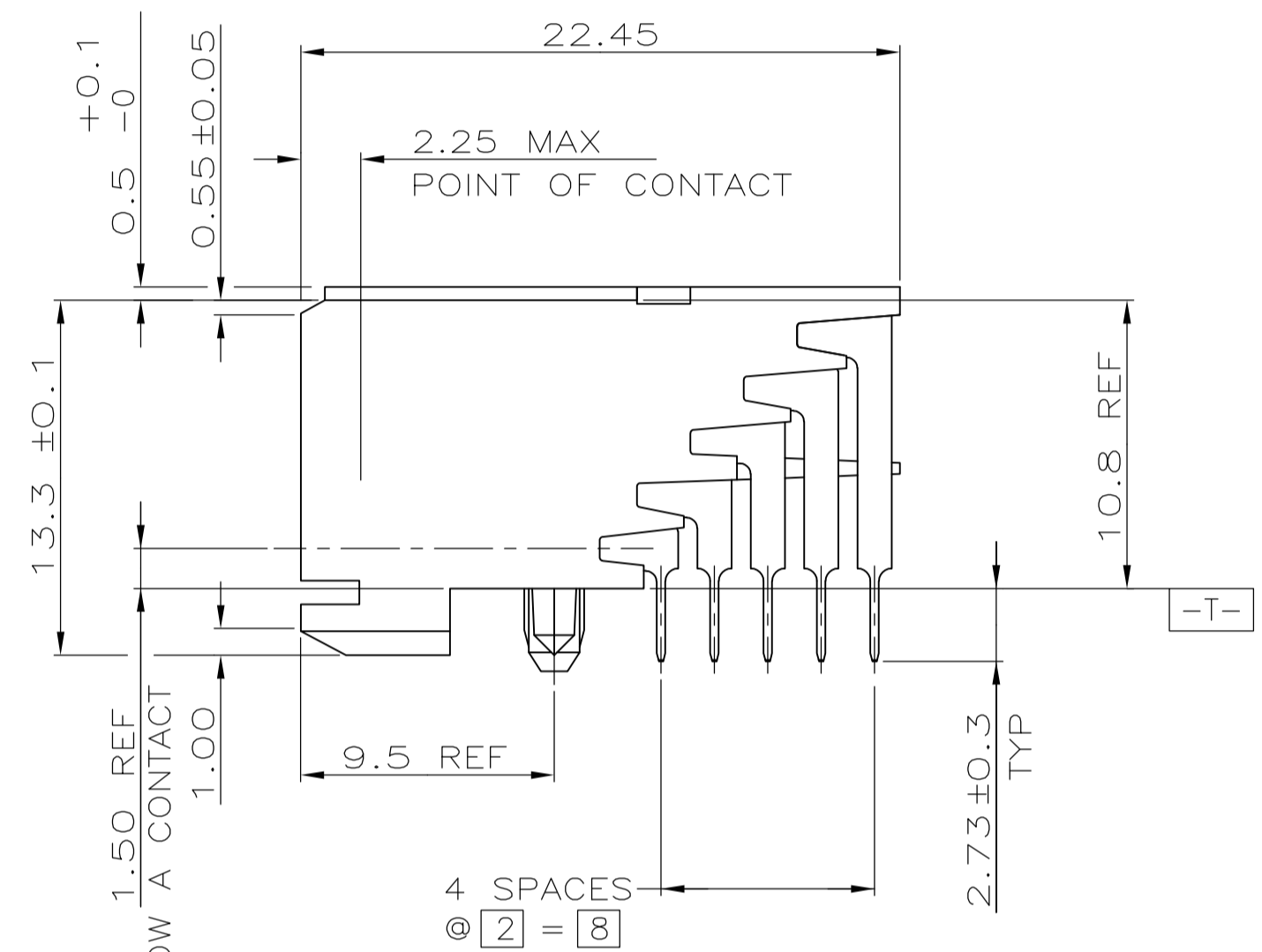
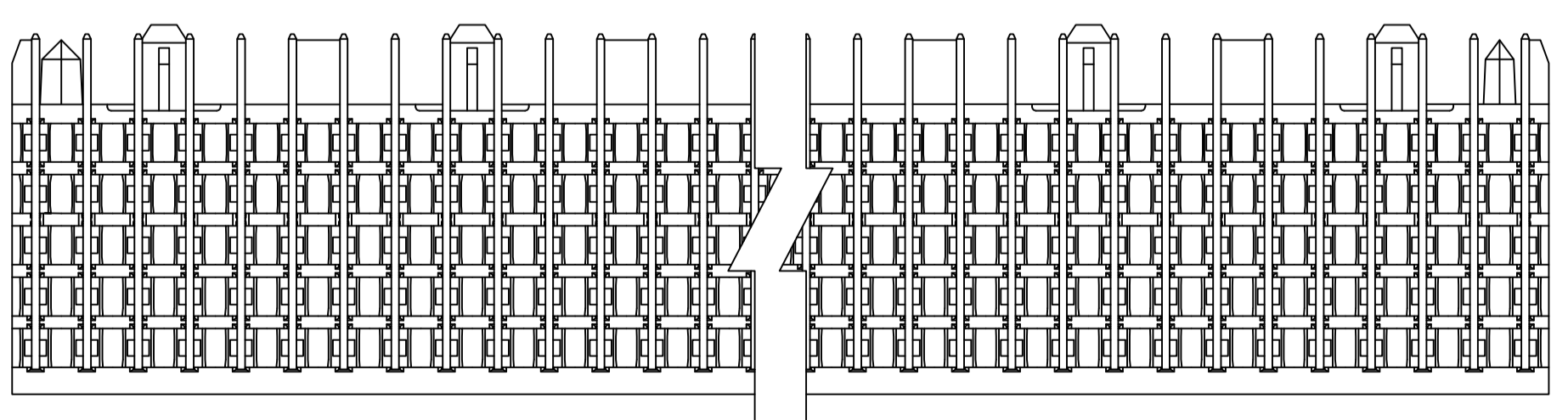
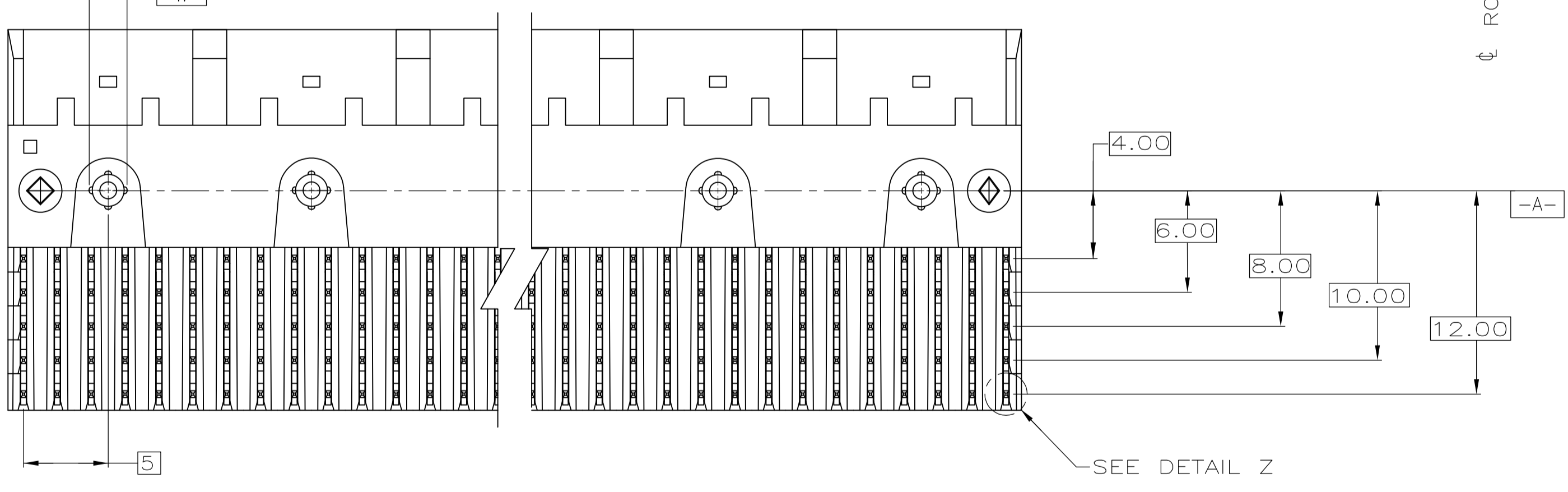
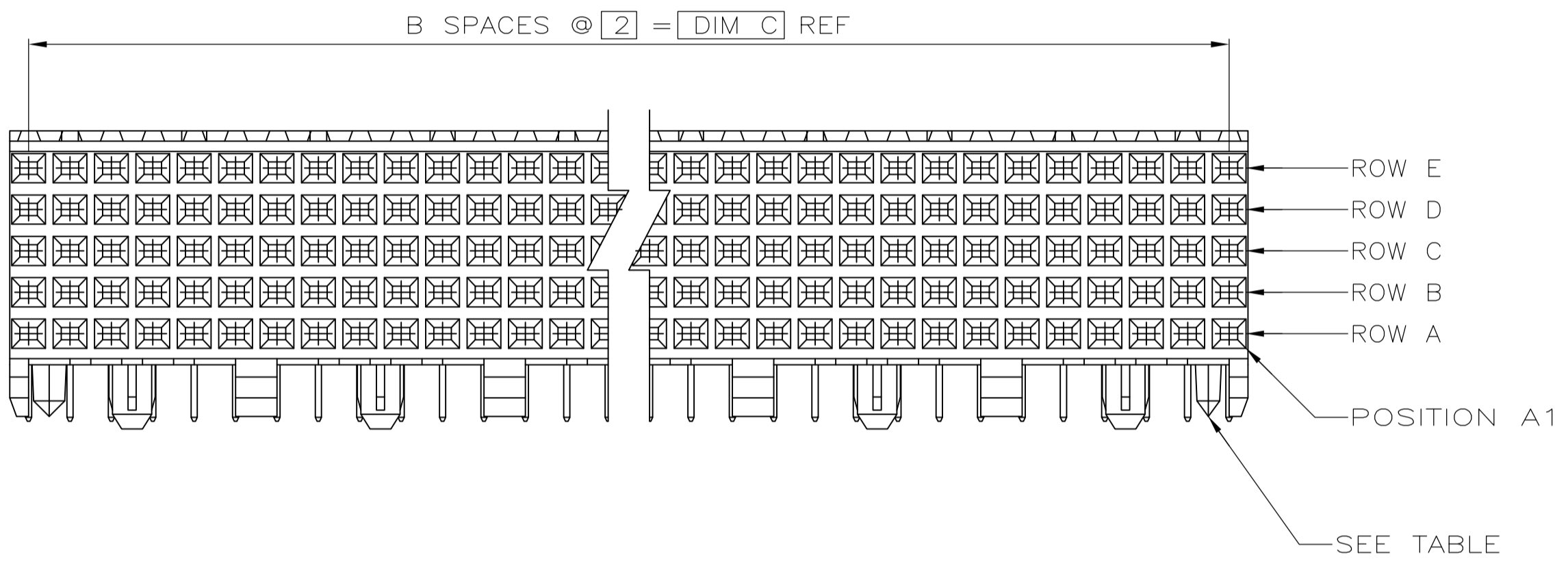
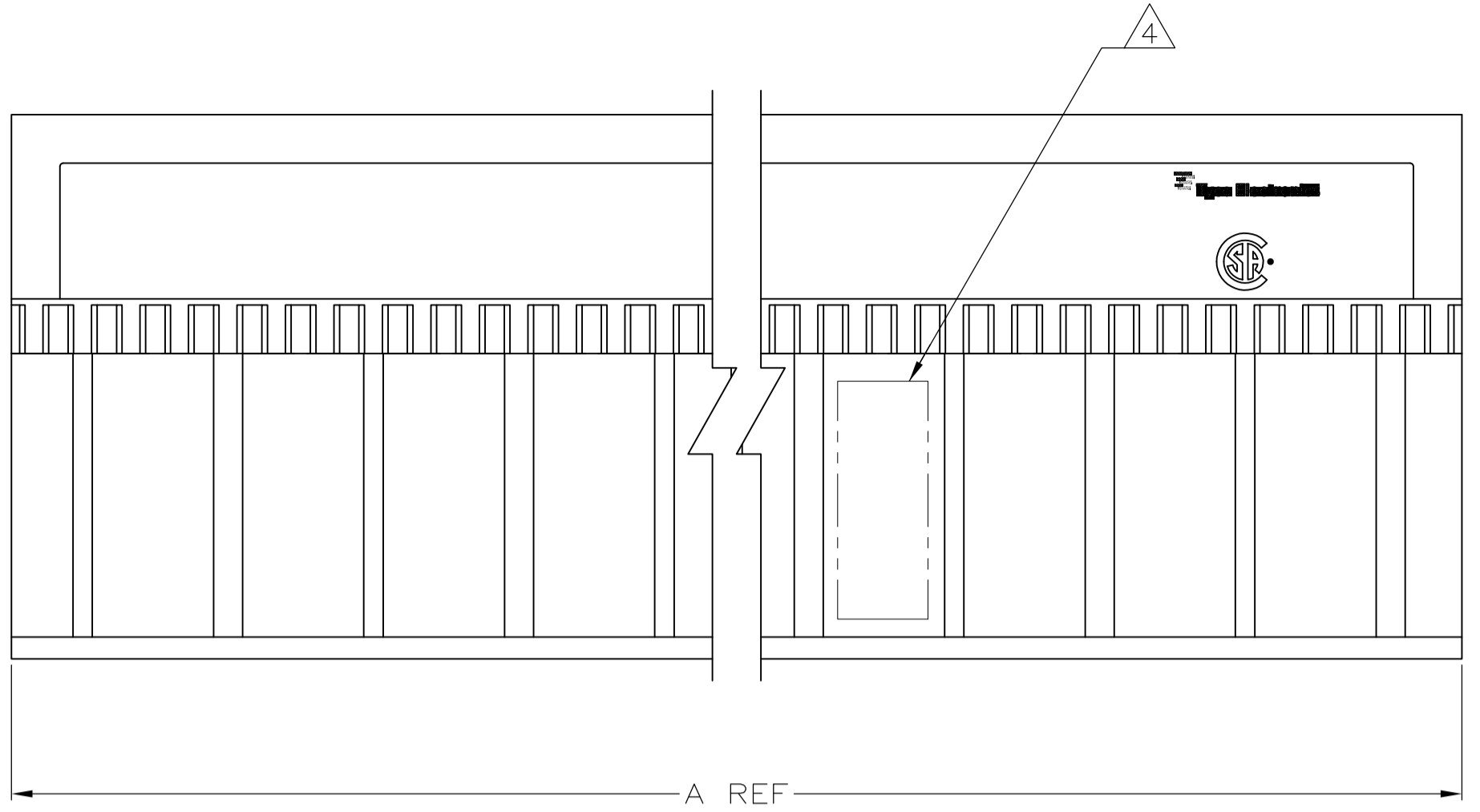


LOC		DIST		REVISIONS				
P	LTR	DESCRIPTION	DATE	DMN	APVD			
01		REVISED PER ECO-08-009053	16APR08	DH	AS			
02		REVISED PER ECO-10-000444	20JAN10	KK	HMR			



- ① HOUSING MATERIAL: LIQUID CRYSTAL POLYMER
COLOR: NATURAL.
- ② CONTACT MATERIAL: PHOSPHOR-BRONZE.
- ③ CONTACT FINISH:(A)
UNDERPLATE (ENTIRE CONTACT):
0.00127 MIN NICKEL PER SAE-AMS-QQ-N-290
ON MATING SURFACES:
CONFORMS TO ALL TESTING SPECIFIED FOR TELCORDIA
UNCONTROLLED ENVIRONMENT.
ON LEADS:
0.00381 MIN MATTE TIN PER ASTM B 545 OVER UNDERPLATE.
LUBRICATION (MIN MATING SURFACES):
SURFACE CONDITIONER AFTER PLATING.
- ④ PART MARKING LOCATED APPROXIMATELY AS SHOWN.
- ⑥ OBSOLETE PARTS: OBSOLETE CIS STREAMLINING PER D.RENAUD/D.SINISI

RECOMMENDED CIRCUIT PATTERN
 PER IPC-D300 TYPE II, CLASS C
 (COMPONENT SIDE)

	NO	130	65	131.88	330	-1-5223004-1
OBSOLETE	NO	118	59	119.88	300	-1-5223004-0
	NO	106	53	107.88	270	-5223004-9-
	NO	94	47	95.88	240	5223004-8
OBSOLETE	NO	82	41	83.88	210	-5223004-7-
	NO	70	35	71.88	180	-5223004-6-
	NO	58	29	59.88	150	5223004-5
	NO	46	23	47.88	120	5223004-4
	NO	34	17	35.88	90	5223004-3
	NO	22	11	23.88	60	5223004-2
	YES	10	3	11.88	30	5223004-1
	POSITIONING PEGS	C	B	A	NO OF SIGNAL POSN	PART NUMBER

THIS DRAWING IS A CONTROLLED DOCUMENT.		DIN B MCMMASTER 19NOV04		Tyco Electronics Corporation	
DIMENSIONS: mm		CIR R WERTZ 19NOV04		Harrisburg, Pa 17105-3608	
TOLERANCES UNLESS OTHERWISE SPECIFIED:		APVD R WERTZ 19NOV04		NAME ASSEMBLY, RECEPTACLE, SIGNAL, RIGHT ANGLE, Z-PACK 2mm FB, 5 ROW, SOLDER LEAD	
0 PLC ± -		PRODUCT SPEC		APPLICATION SPEC	
1 PLC ± ±		SIZE		CAGE CODE DRAWING NO	
2 PLC ± ± 0.13		WEIGHT		A1 00779 C=5223004	
3 PLC ± ±		CUSTOMER DRAWING		SCALE 4:1 SHEET 1 OF 1 REV 02	
4 PLC ± ±					
ANGLES ± ±					