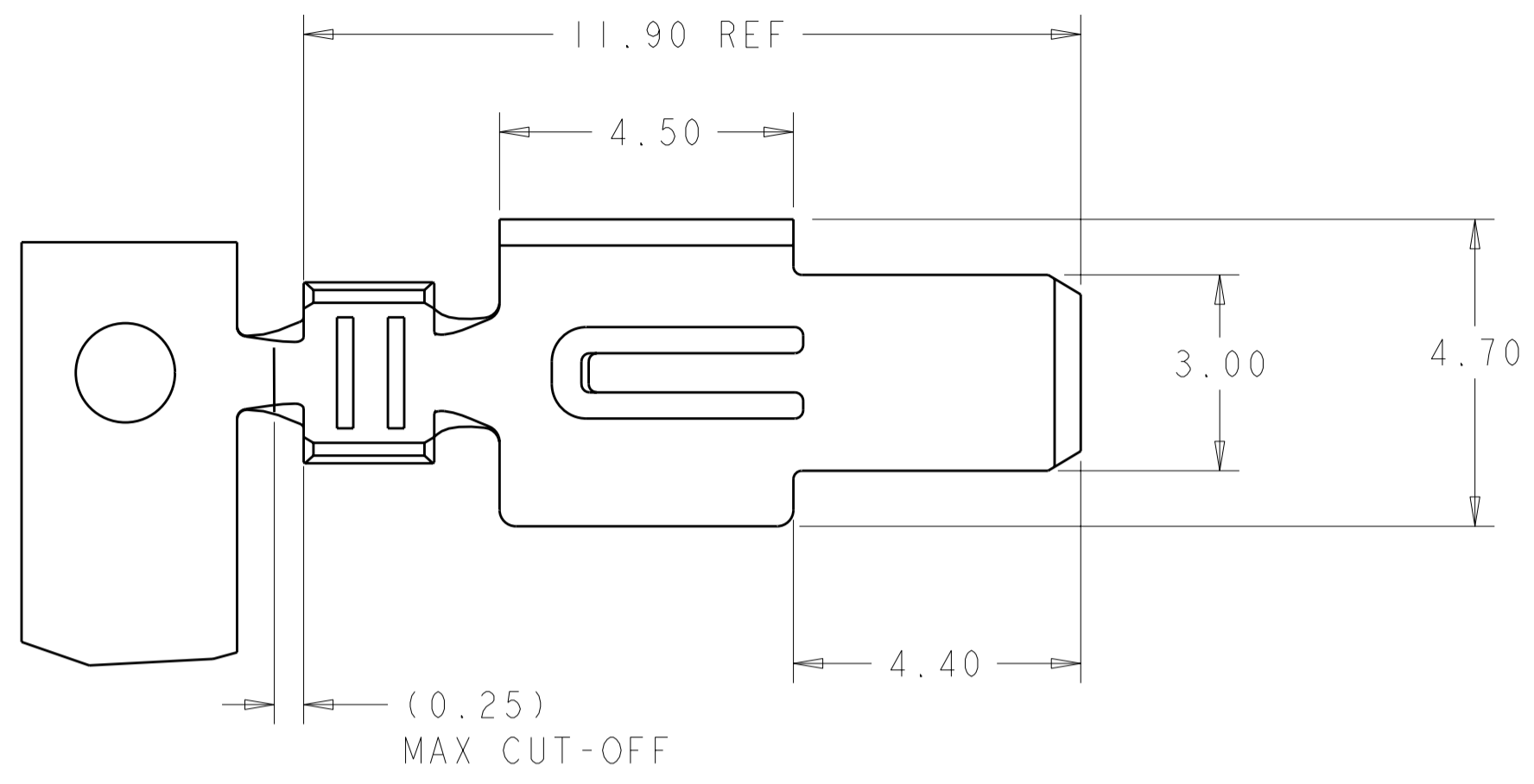


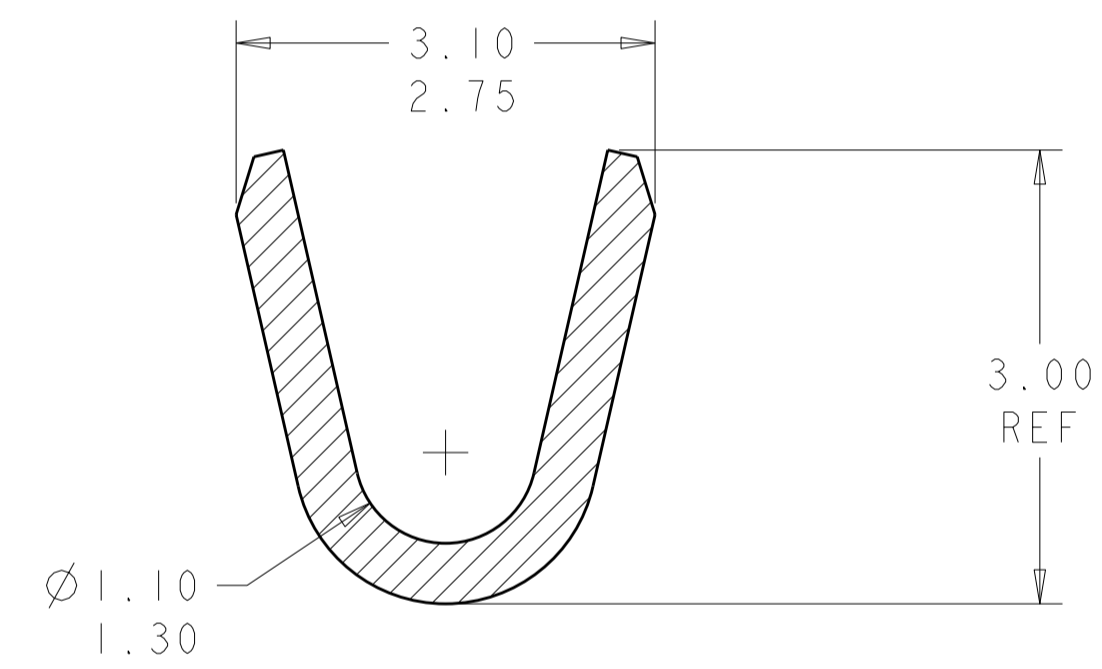
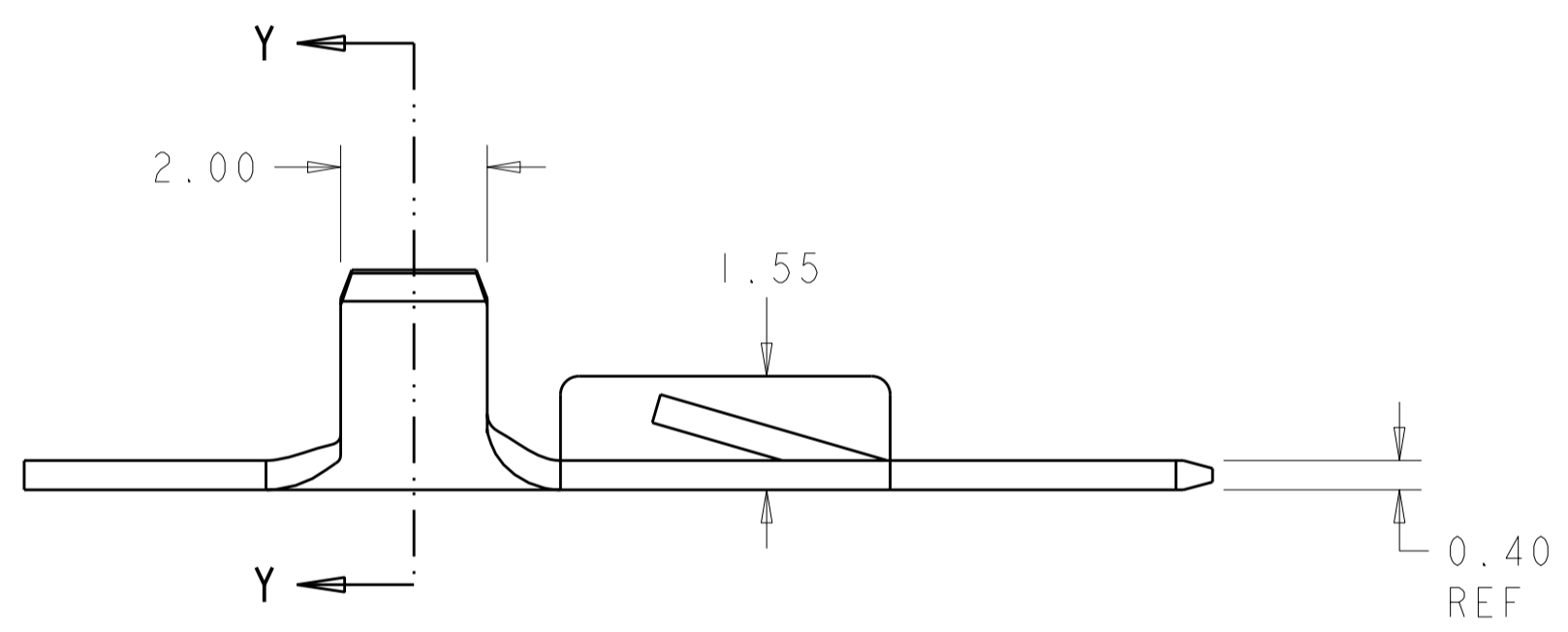
THIS DRAWING IS UNPUBLISHED. RELEASED FOR PUBLICATION 20  
 © COPYRIGHT 20 BY TYCO ELECTRONICS CORPORATION. ALL RIGHTS RESERVED.

REVISIONS							
LOC	DIST	P	LTR	DESCRIPTION	DATE	DWN	APVD
-	-		AI	REVISED PER ECR-09-010783	13MAY2009	HMR	DD

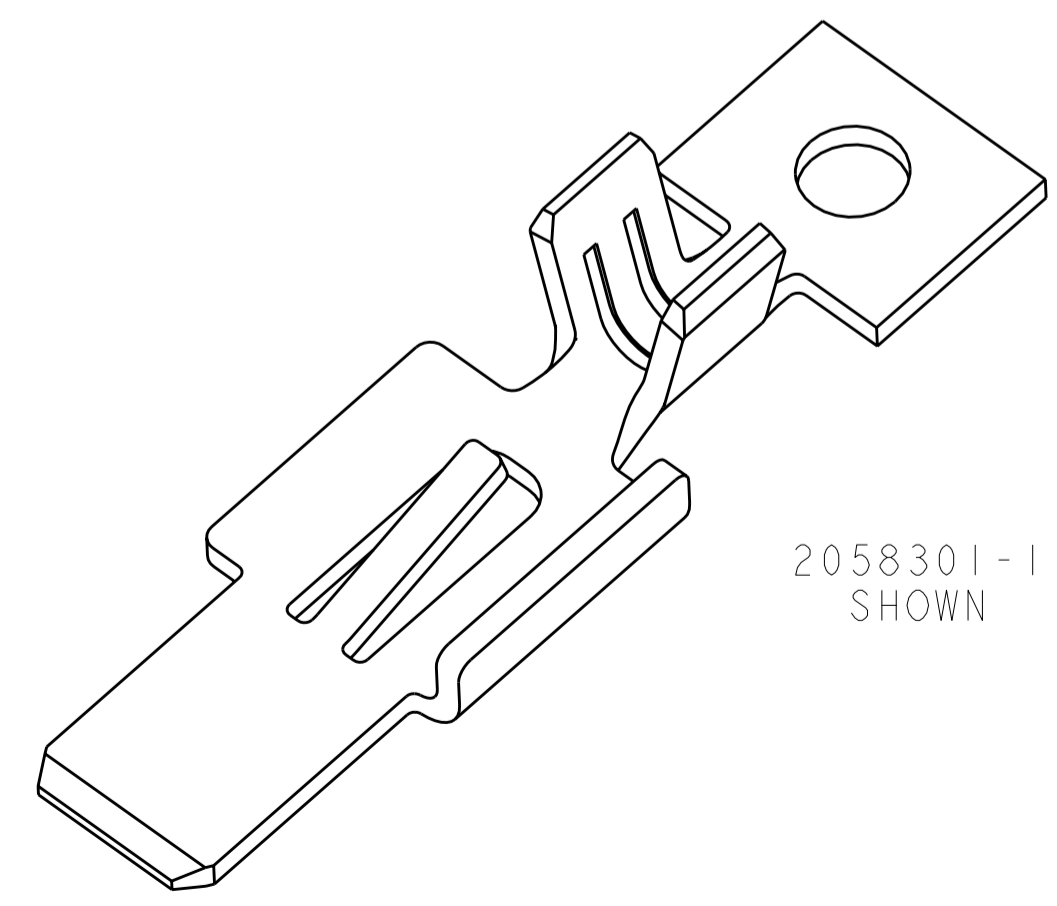


NOTES:

- 1. MATERIALS AND FINISH:  
- COPPER ALLOY, FINISH: TIN
- 2. MUST COMPLY WITH DIRECTIVE 2002/95/EC (ROHS)
- 3. THIS PRODUCT HAS NOT COMPLETED VALIDATION TESTING
- 4. WIRE RANGE : 18-22 AWG, STRANDED
- 5. MAX INSULATION DIA: 2.03
- 6. RECOMMENDED TE HOUSING P/N X-2058299-X



SECTION Y-Y  
SCALE 20:1



2058301-1  
SHOWN

LOOSE PIECE	2058301-2
ON STRIP	2058301-1
REMARKS	PART NO.

THIS DRAWING IS A CONTROLLED DOCUMENT FOR TYCO ELECTRONICS CORPORATION. IT IS SUBJECT TO CHANGE AND THE CONTROLLING ENGINEERING ORGANIZATION SHOULD BE CONTACTED FOR THE LATEST REVISION.		DWN S. FISHER 07MAY2008	Tyco Electronics Harrisburg, PA 17105-3608	
DIMENSIONS: mm		CHK R. NARANG 07MAY2008	NAME BLADE CONTACT WIRE TO BOARD CONNECTOR	
TOLERANCES UNLESS OTHERWISE SPECIFIED: 0 PLC ± 1 PLC ±0.2 2 PLC ±0.13 3 PLC ± 4 PLC ± ANGLES ± FINISH		APVD -	PRODUCT SPEC 108-2387	RESTRICTED TO -
MATERIAL		APPLICATION SPEC 114-13252	SIZE A200779	DRAWING NO C-2058301
CUSTOMER DRAWING		WEIGHT -	SCALE 10:1	SHEET 1 OF 1