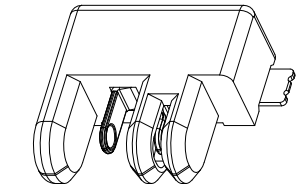
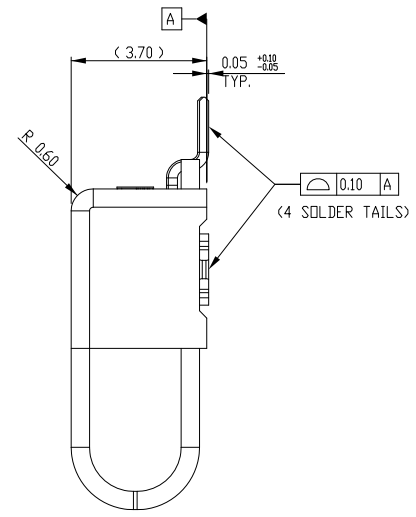
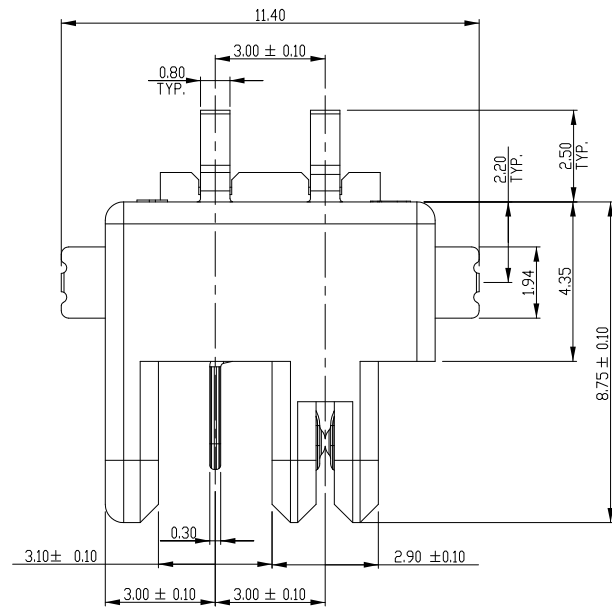
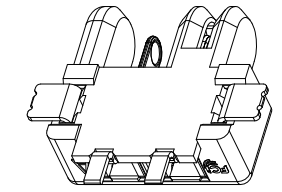


PART NUMBER
10120045-200LF

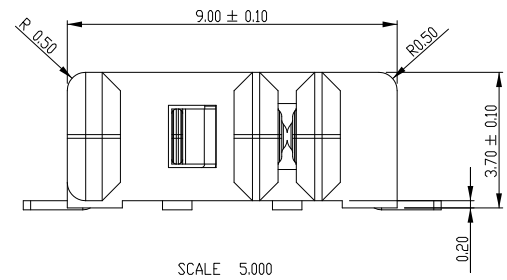


SCALE 3.000



SCALE 3.000

NOTES:
 1. MATERIAL:
 HOUSING: HIGH TEMPERATURE LCP, NATURAL
 UL 94 V-0 FLAME RETARDANT.
 CONTACTS: COPPER ALLOY.
 PLATING SPEC AS BELOW:
 FOR CONTACT AREA:
 * 0.76um GXT™ (30°GXT™);
 FOR SOLDER AREA:
 MATTE PURE TIN 3 um MIN.
 FOR UNDERPLATING:
 1.27 um MIN. THICKNESS NICKEL
 2. PRODUCT SPEC. GS-12-1079.
 3. LEAD FREE NOTES:
 3a. THE HOUSING WILL WITHSTAND EXPOSURE TO 260°C PEAK
 TEMPERATURE FOR 10 SECONDS IN A CONVECTION, INFRA-RED
 OR VAPOR PHASE REFLOW OVEN.
 3b. THIS PRODUCT MEETS EUROPEAN UNION DIRECTIVES AND
 OTHER COUNTRY REGULATIONS AS DESCRIBED IN GS-22-008.
 * GXT™ is an FCI Electronics patented process of palladium-nickel alloy plated with a gold flash.



SCALE 5.000

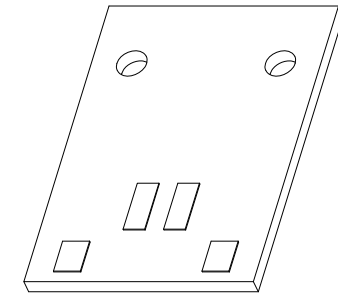


Copyright FCI.

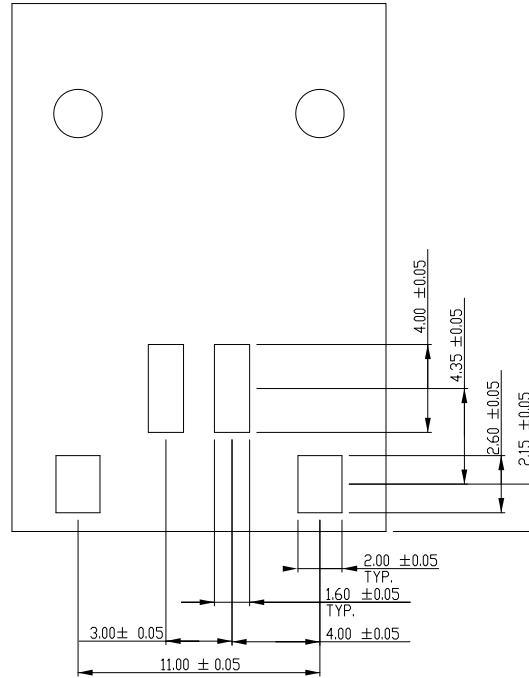
rev	ecn no	dr	date
A	-	MJA	2013-06-10
-	-	-	-
-	-	-	-
-	-	-	-
-	-	-	-
-	-	-	-

www.fciconnect.com			surface ISO 1302	tolerance std ISO 406 ISO 1101	projection MM	
			TOLERANCES UNLESS OTHERWISE SPECIFIED			
Dr	M JACOB	2013-06-10	ANGULAR	0.x ±x	size A4	Scale 5.000
Eng	M JACOB	2013-06-10	LINEAR	0.xx ±0.2		
Chr	M JACOB	2013-06-10	0° ±2°	0.xxx ±x	ECN	-
Appr	BIJU K PAUL	2013-06-10	Product family-RotaConnect		Spec ref	-
			title ASSEMBLY, 2 POS HDR TYPE ROTATABLE BOARD TO BOARD CONNECTOR			
			catalog no : 10120045-200LF			
			CUSTOMER DRAWING		sheet 1 of 3	
					Rev. A	

PART NUMBER
10120045-200LF



SCALE 2.000



SCALE 3.000

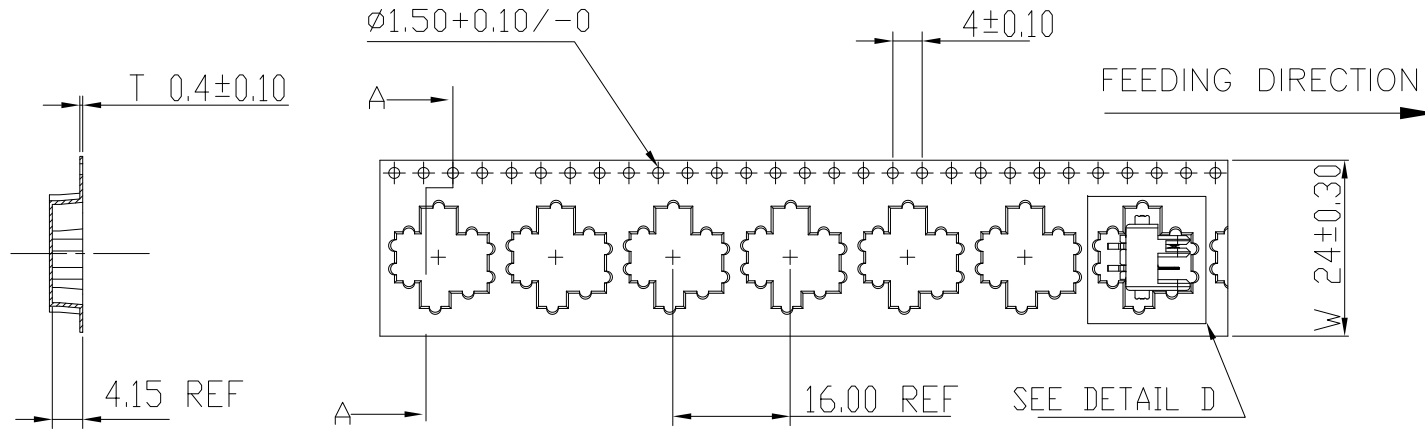


Copyright FCI.

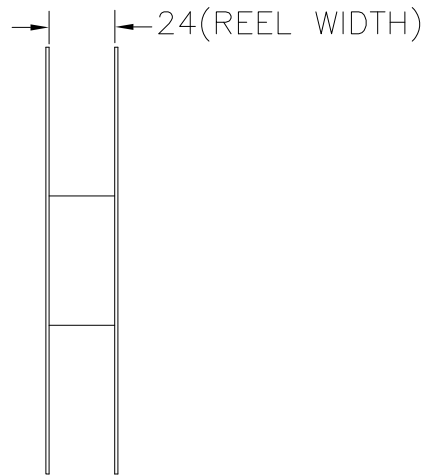
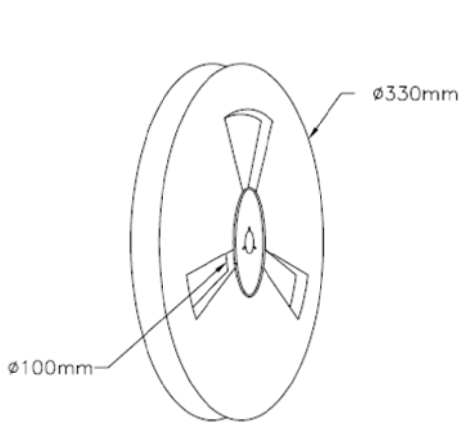
www.fciconnect.com			surface ISO 1302 ✓	tolerance std ISO 406 ISO 1101	projection ⊕	MM ↔																																											
TOLERANCES UNLESS OTHERWISE SPECIFIED			ANGULAR	LINEAR	size A4	Scale 3.000																																											
Dr	M JACOB	2013-06-10	0.X	±X	ECN	-																																											
Eng	M JACOB	2013-06-10	0.XX	±0.2	Spec ref	-																																											
Chr	M JACOB	2013-06-10	0.XXX	±X																																													
Appr	BIJU K PAUL	2013-06-10	Product family-RotaConnect																																														
<table border="1"> <thead> <tr> <th>rev</th> <th>ecn no</th> <th>dr</th> <th>date</th> </tr> </thead> <tbody> <tr><td>-</td><td>-</td><td>-</td><td>-</td></tr> <tr><td>-</td><td>-</td><td>-</td><td>-</td></tr> <tr><td>-</td><td>-</td><td>-</td><td>-</td></tr> <tr><td>-</td><td>-</td><td>-</td><td>-</td></tr> <tr><td>-</td><td>-</td><td>-</td><td>-</td></tr> <tr><td>-</td><td>-</td><td>-</td><td>-</td></tr> <tr><td>-</td><td>-</td><td>-</td><td>-</td></tr> </tbody> </table>			rev	ecn no	dr	date	-	-	-	-	-	-	-	-	-	-	-	-	-	-	-	-	-	-	-	-	-	-	-	-	-	-	-	-			<table border="1"> <tr> <td>title</td> <td>ASSEMBLY, 2 POS HDR TYPE ROTATABLE BOARD TO BOARD CONNECTOR</td> <td>dwg no</td> <td>10120045-200C</td> <td>Rev.</td> <td>A</td> </tr> <tr> <td>catalog no</td> <td>10120045-200LF</td> <td>CUSTOMER DRAWING</td> <td colspan="3">sheet 2 of 3</td> </tr> </table>	title	ASSEMBLY, 2 POS HDR TYPE ROTATABLE BOARD TO BOARD CONNECTOR	dwg no	10120045-200C	Rev.	A	catalog no	10120045-200LF	CUSTOMER DRAWING	sheet 2 of 3		
rev	ecn no	dr	date																																														
-	-	-	-																																														
-	-	-	-																																														
-	-	-	-																																														
-	-	-	-																																														
-	-	-	-																																														
-	-	-	-																																														
-	-	-	-																																														
title	ASSEMBLY, 2 POS HDR TYPE ROTATABLE BOARD TO BOARD CONNECTOR	dwg no	10120045-200C	Rev.	A																																												
catalog no	10120045-200LF	CUSTOMER DRAWING	sheet 2 of 3																																														

REV F - 2006-04-17

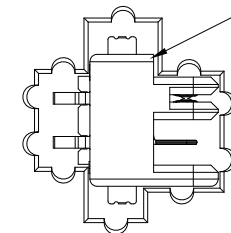
PART NUMBER
10120045-200LF



SECTION A-A



Component inside carrier tape



DETAIL D
SCALE 2:1

NOTES :

1. MATERIAL : ANTI-STATIC POLYSTYRENE
2. PACKAGING AS PER EIA-481 STD.
3. QTY PER REEL : 975 NOS

rev	ecn no	dr	date
-	-	-	-
-	-	-	-
-	-	-	-
-	-	-	-
-	-	-	-
-	-	-	-

www.fciconnect.com			surface ISO 1302	tolerance std ISO 406 ISO 1101	projection MM
			TOLERANCES UNLESS OTHERWISE SPECIFIED		↕
Dr	M JACOB	2013-06-10	ANGULAR	0.X ±X	size A4 Scale 1.000
Eng	M JACOB	2013-06-10	LINEAR	0.XX ±0.2	
Chr	M JACOB	2013-06-10	0° ±2°	0.XXX ±X	ECN -
Appr	BIJU K PAUL	2013-06-10	Product family		Spec ref -
			title ASSEMBLY, 2 POS HDR TYPE ROTATABLE BOARD TO BOARD CONNECTOR		orig no 10120045-200C Rev. A
catalog no : 10120045-200LF			CUSTOMER DRAWING sheet 3 of 3		