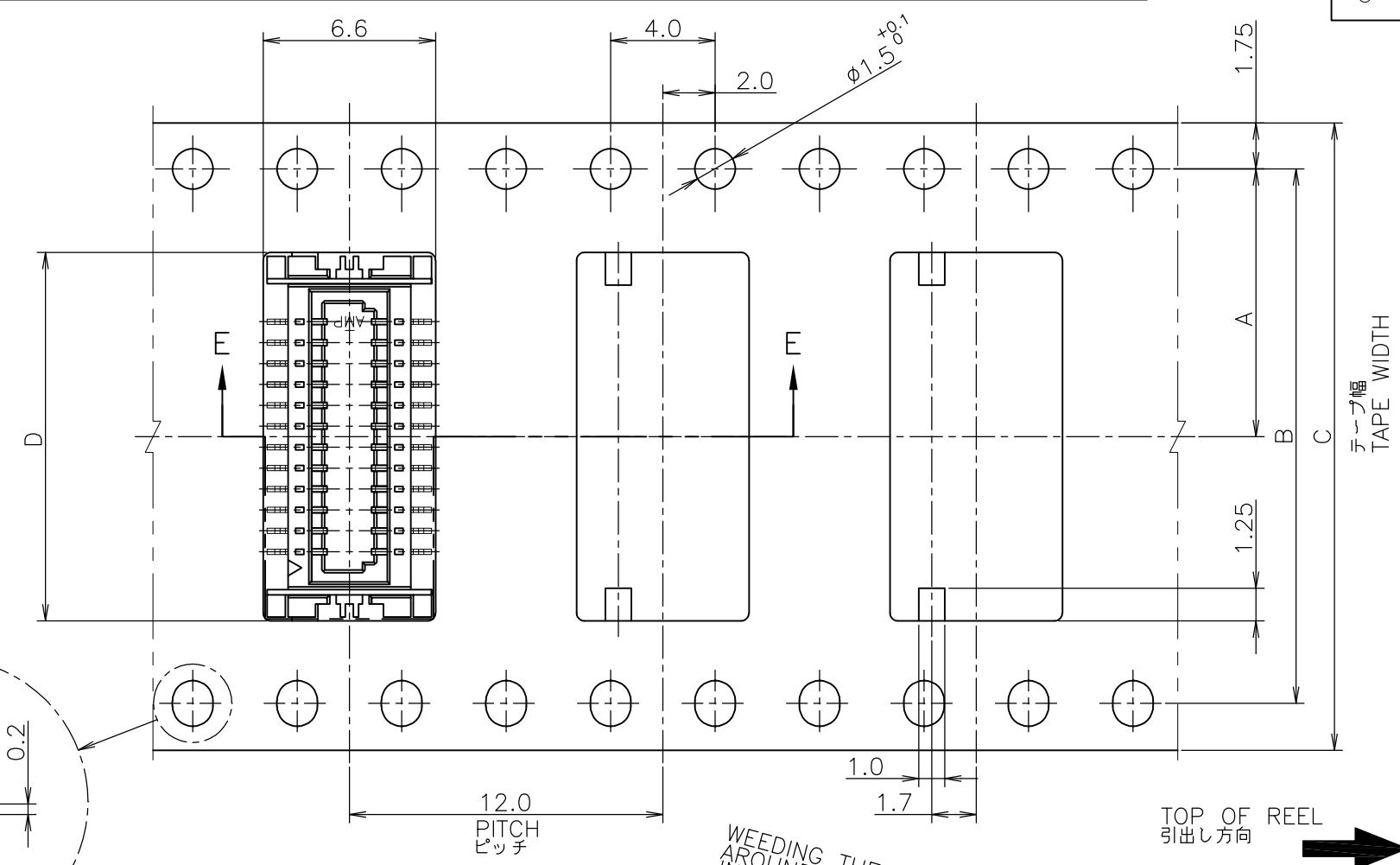
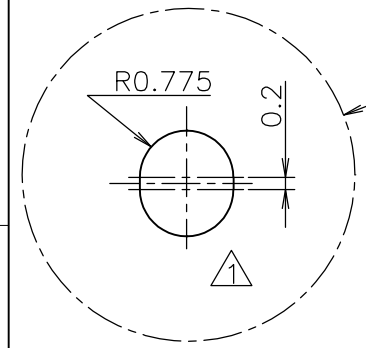
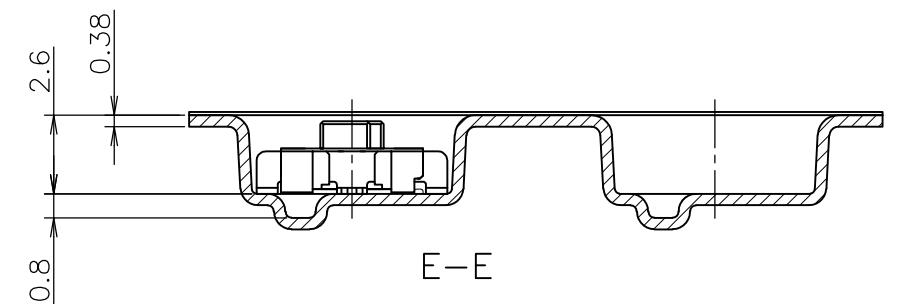


THIS DRAWING IS UNPUBLISHED. RELEASED FOR PUBLICATION FEB, 1995.
 © COPYRIGHT 1995 BY TYCO ELECTRONICS CORPORATION. ALL RIGHTS RESERVED.

LOC	DIST	REVISIONS 変更			
P	LTR	DESCRIPTION	DATE	DWN	APVD
	A	REVISED FJB0-0328-03	30MAY03	H.H	T.K
	A1	REVISED PER ECO-09-024717	04NOV09	KK	AEG

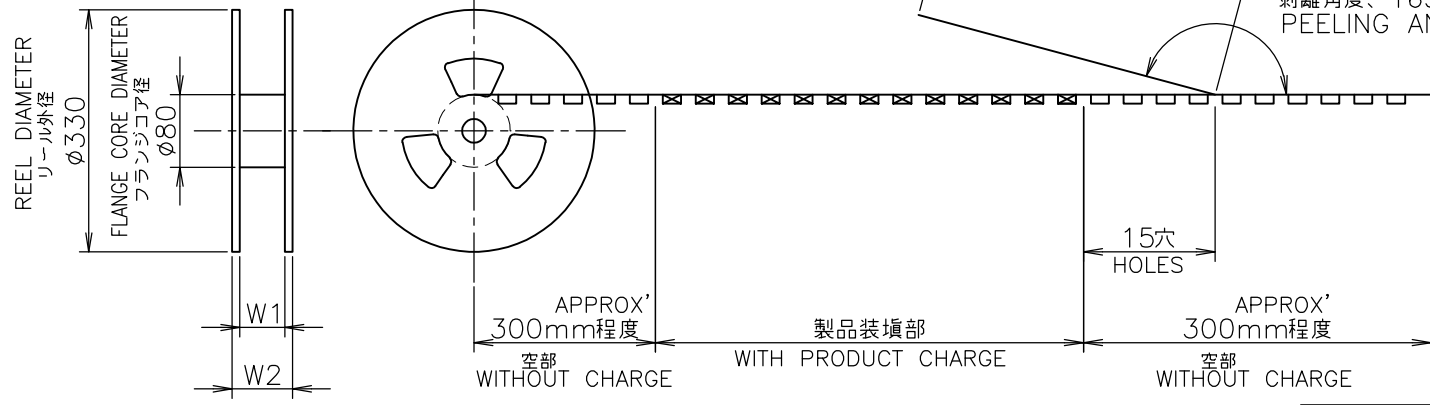


- ⚠ 指示穴は40極品のみ適用。
- ⚠ THESE HOLES ARE APPLIED TO 40 Pos. ONLY.
- ⚠ OBSOLETE PARTS: OBSOLETE CIS STREAMLINING PER D.RENAUD/D.SINISI



WEEDING THE COVER TAPE AROUND THE OUTER PERIPHERY IN A TURN.
 カバーテープ リーダー部 外周一巻
 剝離角度、165°~180°
 PEELING ANGLE.

鉛フリー
LEAD FREE



OBSELETE	37.5	33.5	20.5	32	28.4	14.2	↑	40	4-	↑	-0	-4	↑	0
	↑	↑	16.5	↑	---	↑		30	3-		-0	3-		-0
	↑	↑	14.1	24	---	11.5		24	2-		-4	2-		-4
	↑	↑	10.9	↑	---	↑		16	1-		-6	1-		-6
	W2	W1	D	C	B	A	数量 (ヶ)	極数	コネクタ型番 (バラ状)		リール巻 コネクタ型番			
							1500	14	1-179698-4		1-179702-4			

INSTRUCTION SHEET 取扱説明書 411-5654

THIS DRAWING IS A CONTROLLED DOCUMENT.

DWN Y.NAKAZAWA 15FEB95	Tyco Electronics Kawasaki, Japan	Tyco Electronics AMP K.K.	
CHK K.ASAKAWA 20FEB95		Kawasaki, Japan	
APVD S.KUBOUCHI 21FEB95	NAME 名称	エンボス詰 プラグ・アッセンブリ	
PRODUCT SPEC 製品規格 108-5424	ON TAPING (EMBOSS) PLUG ASSEMBLY WITHOUT BOSS 0.8mm PITCH BOARD TO BOARD CONNECTOR (MATING HEIGHT 3.0mm, Au PLATED)		
APPLICATION SPEC 取付適用規格	SIZE	CAGE CODE	DRAWING NO 番号
MATERIAL 材料	A3	00779	C-179702
DIMENSIONS: 単位: 耗 MM	WEIGHT		RESTRICTED TO
TOLERANCES UNLESS OTHERWISE SPECIFIED: 一般公差	CUSTOMER DRAWING		SCALE 尺度 4:1
0 PLC ±0.2	SCALE 尺度 4:1		SHEET 1 OF 1
1 PLC ±0.2	SCALE 尺度 4:1		REV A1
2 PLC ±0.2	SCALE 尺度 4:1		
3 PLC ±0.2	SCALE 尺度 4:1		
4 PLC ±0.2	SCALE 尺度 4:1		
ANGLES ±3'	SCALE 尺度 4:1		
FINISH 仕上	SCALE 尺度 4:1		