

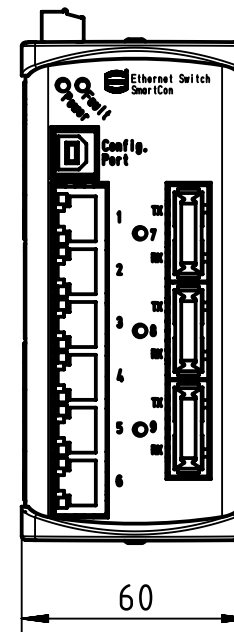
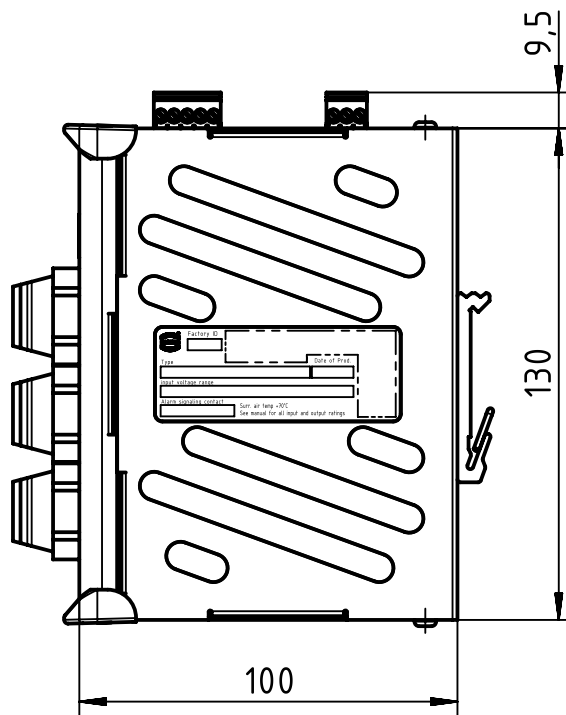
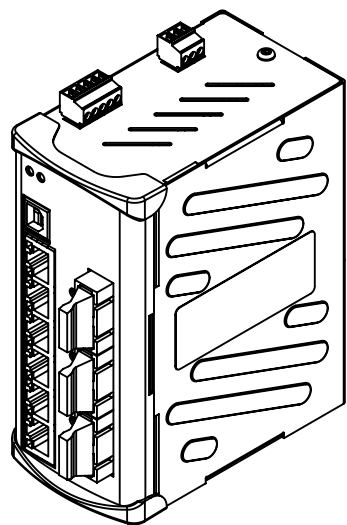
1 2 3 4 5 6

A

B

C

D



for mounting rail acc. to DIN EN 60715

	All rights reserved Department EL PD - DE	All Dimensions in mm Original Size DIN A4		Scale 1:2	Free size tol.	Ref. Sub. TB 20 76 109 1100 v. 06.05.09	
		Created by ILJIN	Inspected by LOETKEMANN	Standardisation TIEMANNA	Date 2013-07-23	State Final Release	
HARTING Electric GmbH & Co. KG D-32339 Espelkamp		Title Ha-VIS sCon 3063-AD				Doc-Key / ECM-Nr. 100173189/UGD/004/A 500000064549	
		Type TB	Number 20 76 109 1100			Rev. A	Page 1/1