

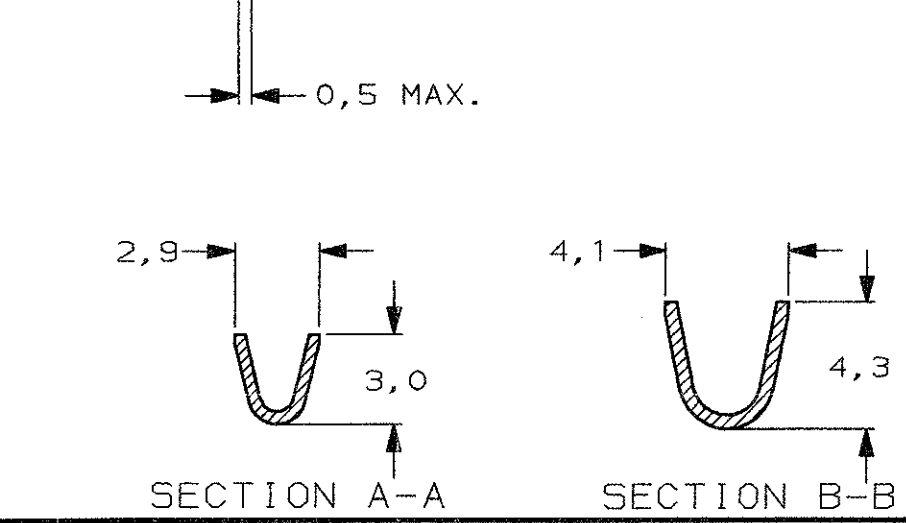
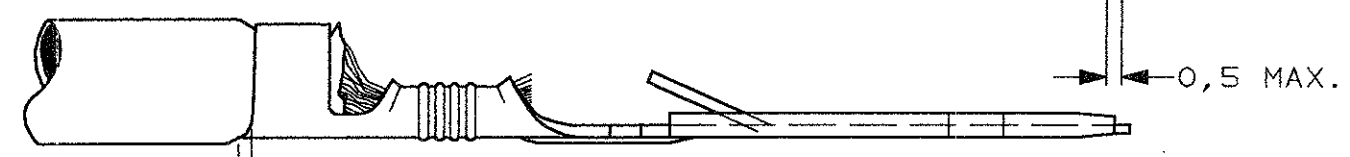
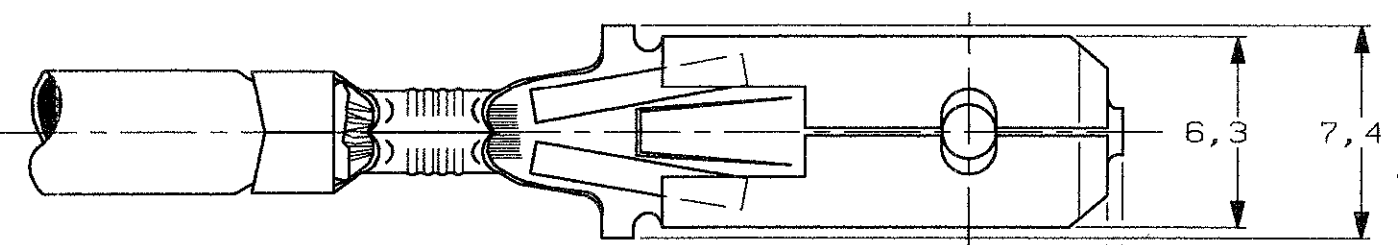
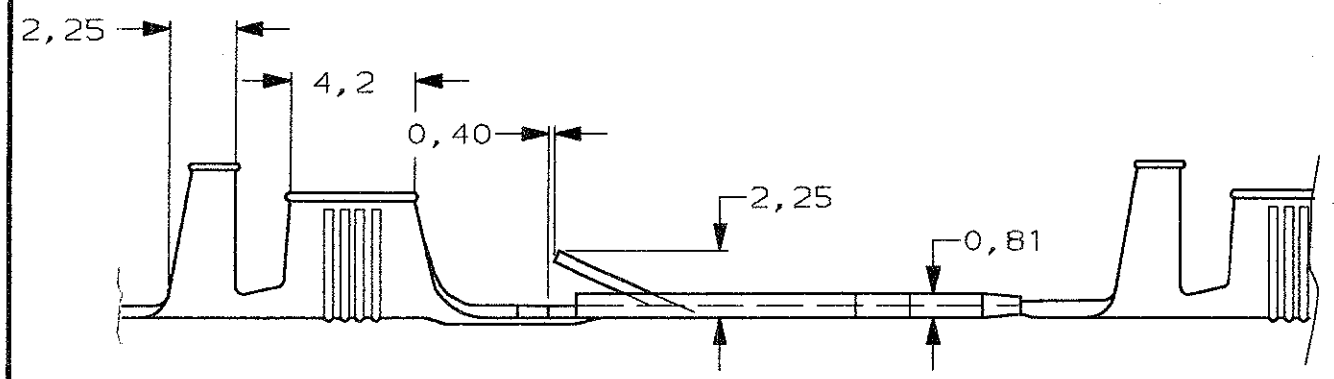
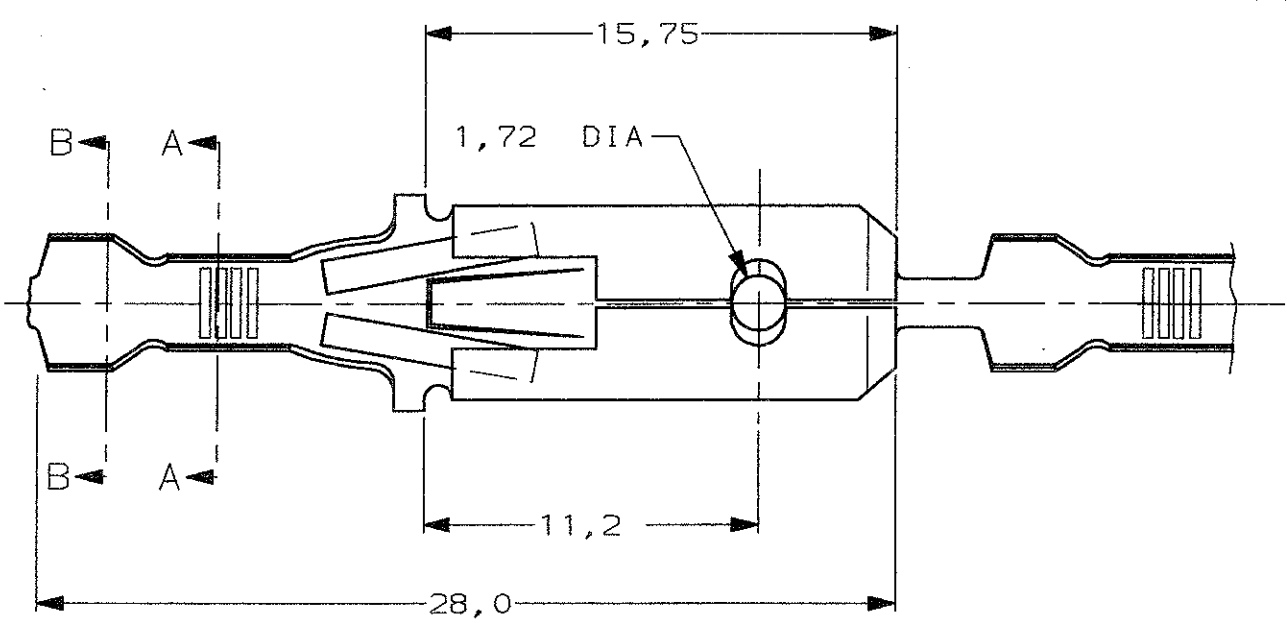
DO NOT SCALE  
DIMENSIONS IN mm

METRIC

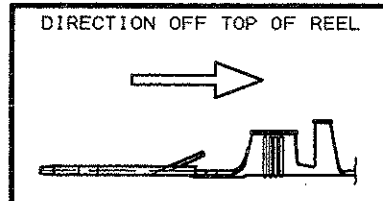
THIRD ANGLE  
PROJECTION

NOTES:

- 1 FOR USE ON MINIATURE APPLICATORS (LEFT-RIGHT FEED)
- 2 OBSOLETE PARTS: OBSOLETE CIS STREAMLINING PER D.RENAUD/D.SINISI



WIRE RANGE :  
0,5-1,0 mm<sup>2</sup>  
INSULATION RANGE :  
2,0-2,7mm DIA.



2	OBSOLETE	1	PRE-TINPLATED	BRASS	160869-7	F1
2	OBSOLETE	1	PRE-TINPLATED	PHOSPHORBRONZE	160869-6	F1
		1	UNPLATED	PHOSPHORBRONZE	160869-5	F1
	OBSOLETE	1	TINPLATED	PHOSPHORBRONZE	160869-4	F1
2	OBSOLETE	1	UNPLATED	PHOSPHORBRONZE	160869-3	F1
		1	TINPLATED	BRASS	160869-2	F1
	OBSOLETE	1	UNPLATED	BRASS	160869-1	F2
			PLATING	PLATING	MATERIAL	PARTNUMBER REV.

-	-	-	-	-	-
F2	ECR-10-022530	KK	HMR	12FEB11	
F1	REVISED PER ECO-09-027197	KK	AEG	08DEC09	
F	REVISED FOR ET00-0296-99	H.Y.	C.T.	23 SEP 99	
B	ECO TRANSFER FOR EH00-2170-98			28 JAN 99	
B	H-9701	JvdH	AB	07-04-92	
LTR.	REVISION RECORD	DR.	CHK.	DATE	

**CUSTOMER DRAWING** FOR REFERENCE ONLY  
WILL NOT BE UPDATED  
© COPYRIGHT 19- BY TE ITALIA S.p.A.  
ALL INTERNATIONAL RIGHTS RESERVED. TE PRODUCTS MAY BE  
COVERED BY U.S. AND FOREIGN AND/OR PATENTS PENDING.  
THIS DRAWING IS UNPUBLISHED  
RELEASED FOR PUBLICATION

**TE** TE Connectivity  
NAME  
**FASTIN-FASTON® Connector**  
.250" sr. TAB CONTACT

DR. : J.v.LIEMPT.	CHK. : A.BIJNEN.	APP. : L.v.SOEST.	DWG.No.	REV.LTR.	SHEET
DATE: 23 MAR 1992	DATE: -	DATE: -	C-160869	F2	1 OF 1