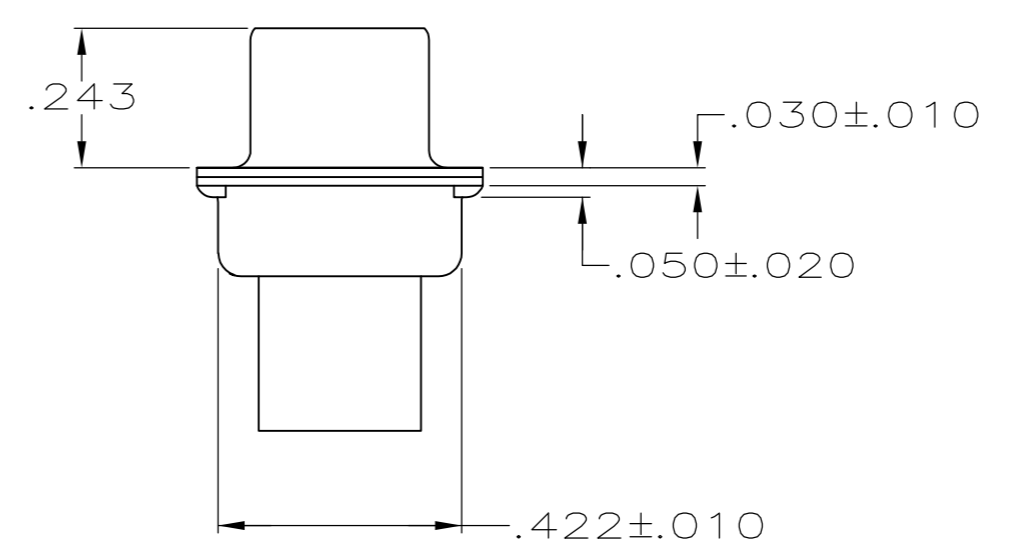
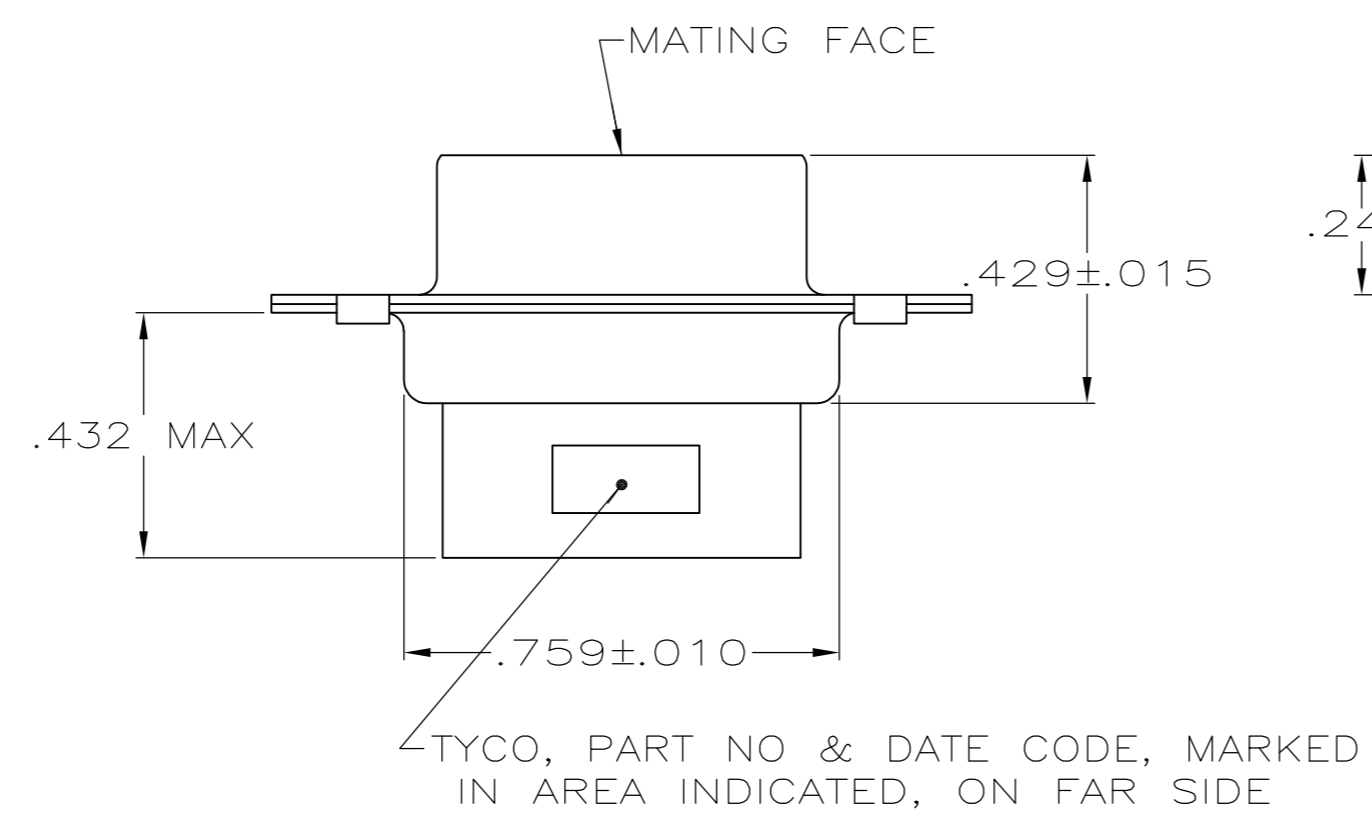
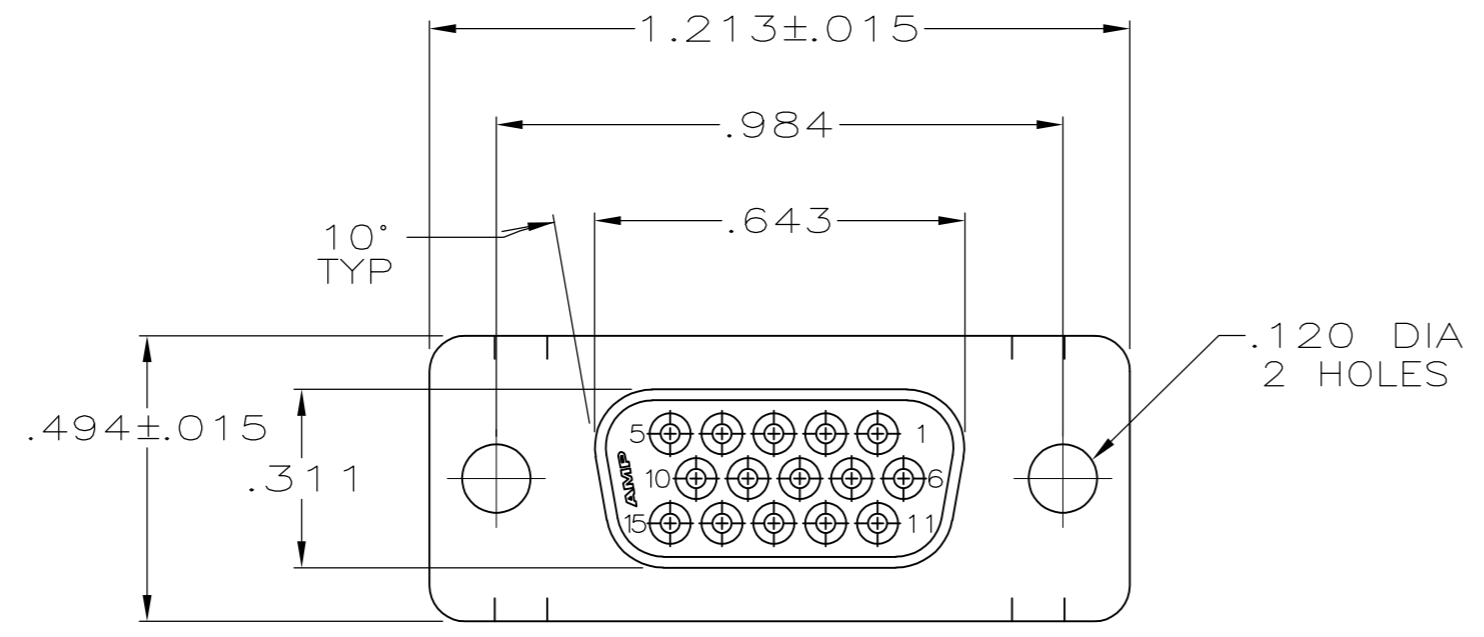


THIS DRAWING IS UNPUBLISHED. RELEASED FOR PUBLICATION
 © COPYRIGHT - By - ALL RIGHTS RESERVED.

LOC	DIST	REVISIONS			
P	LTR	DESCRIPTION	DATE	DWN	APVD
GP	00	C1	REVISED PER ECO-11-004835	11MAR11	RK HMR



- 1. CONNECTOR ACCEPTS 22 DF SOCKET CONTACTS, RETENTION TINES ARE AN INTEGRAL PART OF INSERT.
- 2 MATERIAL: MOLDED PARTS - FLAME RETARDANT 94V-0 RATED, GLASS FILLED NYLON, COLOR: BLACK. SHELLS - CARBON STEEL.
- 3 FINISH: SHELLS - .000200 MIN TIN OVER .000100 MIN COPPER UNDERPLATE.

1658681-1
 PART NUMBER

THIS DRAWING IS A CONTROLLED DOCUMENT.		DWN L. BAUM 02JAN04	TE TE Connectivity	
DIMENSIONS: INCHES		CHK S. BOLASH 02JAN04		
TOLERANCES UNLESS OTHERWISE SPECIFIED:		APVD M. WALMSLEY 02JAN04	NAME	
0 PLC ± -		PRODUCT SPEC	RECEPTACLE ASSEMBLY, SIZE 1, 15 POSN, HDP-22, AMPLIMITE®	
1 PLC ± -		108-1268	-	
2 PLC ± -		APPLICATION SPEC	SIZE	CAGE CODE
3 PLC ± .005		114-10001	A2	00779
4 PLC ± -		WEIGHT -	DRAWING NO	
ANGLES ± 2°		CUSTOMER DRAWING	C=1658681	
FINISH		SCALE 3:1	SHEET 1 of 1	REV C1