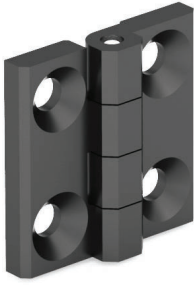


MINI LEAF HINGE

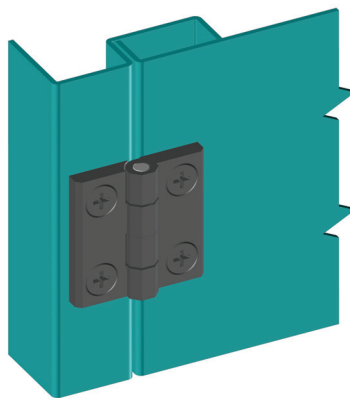
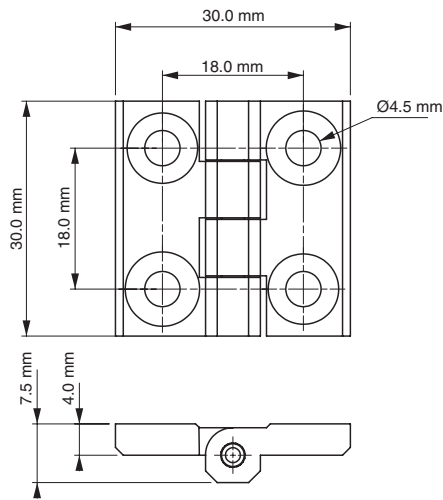


Specifications

- Material:
Body: Zinc Alloy (Zamak) DIN-EN 1774-ZnAl4Cu1
Pin: Stainless Steel
- Opening angle is 270°

Features

- Generally used for plain / flush-mounted doors
- Applications: Electric panels, built-in covers



Item Number	Hinge Rotation	Material	Finish
129911	270°	Zinc Alloy	Chrome
129912	270°	Zinc Alloy	Chrome