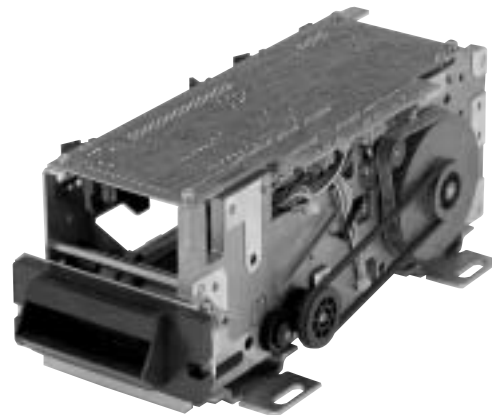


Versatile Hybrid Reader/Writer Handles Both Magnetic and IC Cards

- Durable 4-wheel, 2-belt drive with roller accommodates discrepancies in card thickness to accept warped or bent cards
- Metal blade shutter prevents tampering
- Compact size and light weight allow easy installation in any terminal
- Two integrated chip station positions available
- Adjustable to card thicknesses of 0.20 mm, 0.40 mm, and 0.76 mm (PET, paper, or PVC cards)
- HiCo write capability available



Ordering Information

Magnetic Tracks Supported (R, R/W)					IC Contact	Interface	Shutter	Cover	Cable	Color	Part Number
1	2	3	Center	JIS II							
R/W	R/W	R/W	—	—	Option	TTL	Option	No	No	Black	3S4YR-MKW1PC-01
R/W	R/W	R/W	—	—	Option	TTL	Option	No	No	Black	3S4YR-MKW1PCH
—	R/W	—	—	—	Option	TTL	Option	No	No	Black	3S4YR-MKW4PC-01
R/W	R/W	R/W	—	R/W	—	TTL	No Inlet	No	No	Black	3S4YR-MKWAPC-100

Note: Only the MKW1PCH is capable of writing HiCo cards. All models can read HiCo cards.

■ **TYPICAL APPLICATIONS**

- Cash Dispensers
- Automatic Teller Machines (ATM)
- POS Terminals
- Credit Card Checkers
- ID Card Checkers
- Electronic Lock Systems
- Medical Patient Systems
- Health Control Systems

■ **ACCESSORIES**

Description	Part Number
IC Contact, chip on the front, lower position	IC CONTACT J <small>(See note 1)</small>
IC Contact, chip on the front, upper and lower positions	IC CONTACT X <small>(See note 1)</small>
Shutter for MKW1PC-01, MKW1PCH	SHUTTER MKD7
Shutter for MKW4PC-01	SHUTTER MKD4

Note 1: Consult your Omron sales representative for IC contact accessories. Special configurations can be supplied.

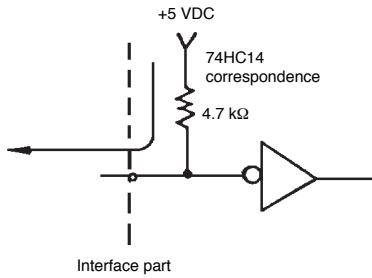
Specifications

Part number	3S4YR-MKW	
Recommended card type	Magnetic card	ISO 7810-7813
	IC card	ISO 7816/1, 2
Recording method	FM decoding (F2F)	
Card feeding speed	20 cm/sec ± 10% (7.87 in/sec)	
Motor type	DC motor	
Service life <small>(See note)</small>	1,200,000 passes min.	
Operating power supply	Amplifier	24 VDC ± 10%
	Motor	24 VDC ± 10%
	Control logic	5 VDC ± 5%
Current consumption	Amplifier	260 mA max.
	Motor	1.7 A max.
	Control logic	330 mA max.
Mounting location	Anywhere not directly subject to water or rain	
Mounting orientation	Stripe top or stripe bottom	
Ambient temperature	Operation	-5° to 55°C (23° to 131°F)
	Storage	-25° to 70°C (-13° to 158°F)
Ambient humidity	Operation	45% to 85% RH without condensation
	Storage	30% to 90% RH
Vibration	10 to 55 Hz, 2 mm double amplitude, for 30 minutes in X, Y, and Z directions	
Shock	300 m/sec ² (30 G) in each of X, Y, and Z directions	
Dimensions	With shutter	247L x 106W x 92H mm (9.72L x 4.17W x 3.62H in)
	Without shutter	222L x 98W x 92H mm (8.74L x 3.86W x 3.62H in)
Weight	Approx. 1.9 kg (4.2 lbs) when fully equipped	

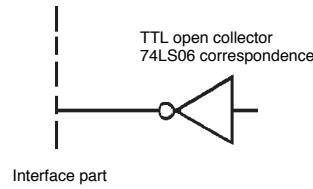
Note: One pass denotes one round trip.

Engineering Data

INPUT CIRCUIT DIAGRAM



OUTPUT CIRCUIT DIAGRAM



I/O INFORMATION

3S4YR-MKW Connector of Magnetic Card (CN1 Signal)

3M 3433-5302JL. Mate: 3M 3425-6550EL.

Pin #	Signal	Input/Output	Pin #	Signal	Input/Output
1	+5 VDC	—	26	S1	Output
2	+5 VDC	—	27	S2	Output
3	0 V	—	28	S3	Output
4	0 V	—	29	S4	Output
5	P24V	—	30	STW	Output
6	P24V	—	31	RCP1	Output
7	P0V	—	32	RDP1	Output
8	P0V	—	33	RCP2	Output
9	MFW	Input	34	RDP2	Output
10	MRV	Input	35	RCP3	Output
11	SOL1	Input	36	RDP3	Output
12	—	—	37	RCP4	Output
13	—	—	38	RDP4	Output
14	—	—	39	WCP1	Output
15	—	—	40	WCP2	Output
16	—	—	41	WDT1	Input
17	WEN	Input	42	CNT1	Input
18	—	—	43	WDT2	Input
19	RCPS	—	44	CNT2	Input
20	RDP5	—	45	WDT3	Input
21	SHD1	Output	46	CNT3	Input
22	WDV	Output	47	WDT4	Input
23	SHE	Output	48	CNT4	Input
24	WID	Output	49	+24 VDC	—
25	S0	Output	50	+24 VDC	—

3S4YR-MKW Connector of IC Card (CN2 Signal)

3M 3408-5302JL. Mate: 3M 3452-6516EL.

Pin #	Signal	Input/Output	Pin #	Signal	Input/Output
1	IVCC	◆	9	IRS1	◆
2	IRST	◆	10	IRS2	◆
3	ICIO	◆	11	IECO	Input
4	IGND	◆	12	—	—
5	—	—	13	IMSL	Input
6	ICKL	◆	14	ISOL	Input
7	IVCC	◆	15	+5 VDC	—
8	IVPP	◆	16	0 V	—

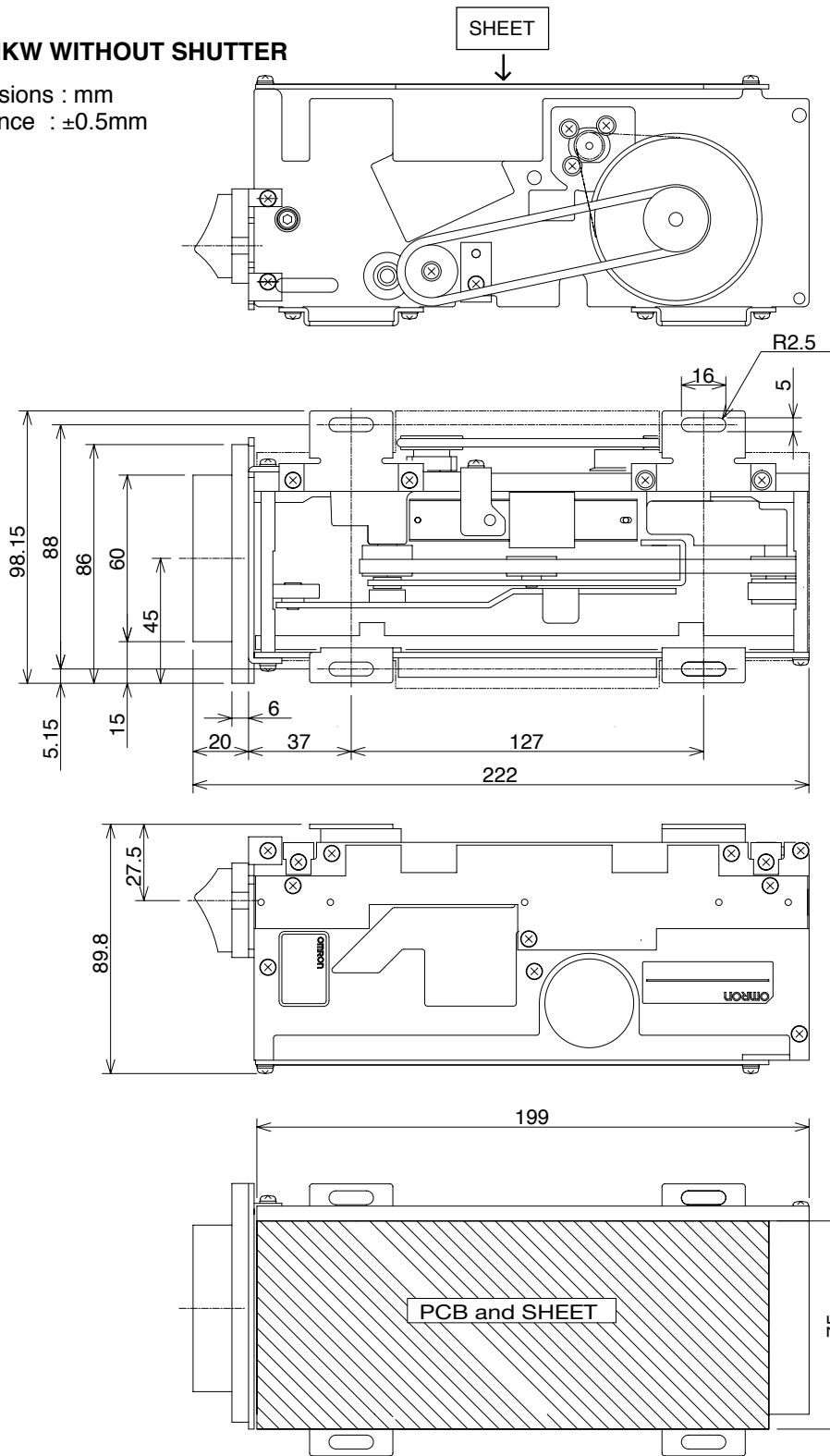
◆ = Direct IC Contact

Dimensions

Unit: mm (inch)

■ 3S4YR-MKW WITHOUT SHUTTER

Dimensions : mm
Tolerance : ±0.5mm



Card Business Promotion Division
Card Reader Components Dept.
©OMRON Corporation
Gate City Ohsaki, West Tower 14F 1-1-1, Ohsaki, Shinagawa-Ku Tokyo, 141-0032 JAPAN
TEL. 81-3-5435-2012 FAX. 81-3-5435-2017

URL : <http://www.omron.com/card/cardreader>

Contact our nearest representative at