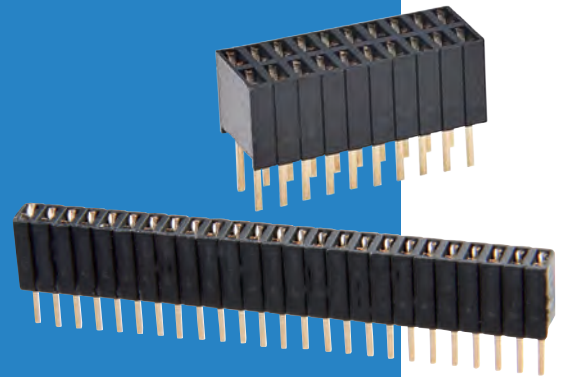


Archer Connectors – M52

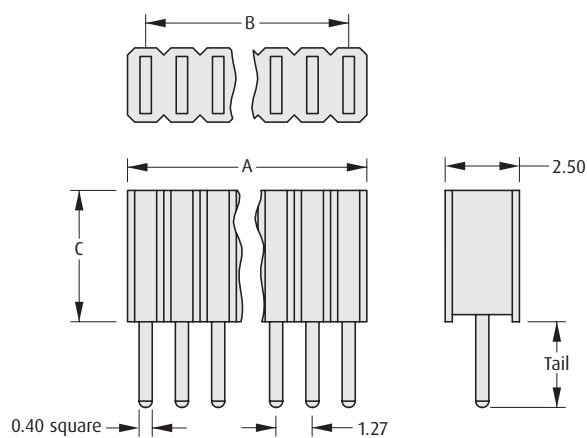
Female Vertical PC Tail

- Choice of connector height.
- Suitable for use with male connectors with 0.46mm square pins.



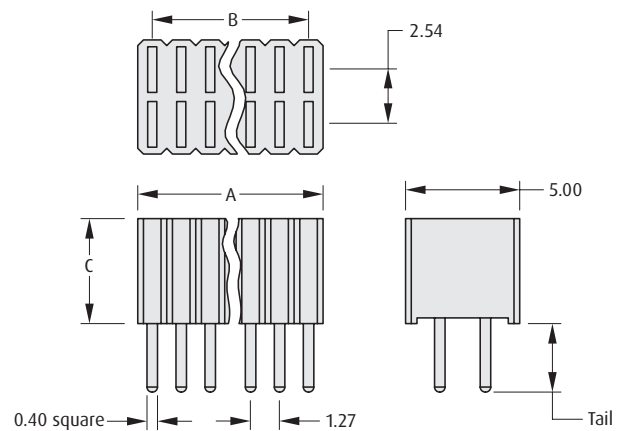
1.27mm (.050") PITCH

SINGLE ROW



Recommended PC Board Pattern

DOUBLE ROW



Recommended PC Board Pattern

CALCULATION

A	B + 1.67 (when C = 4.6mm) B + 1.27 (when C = 8.5mm)
B	1.27 x (No. of contacts per row - 1)

HOW TO ORDER

M52 - 5 X X XX 45

SERIES CODE

NO. OF ROWS

0	Single Row
1	Double Row

HEIGHT

0	C = 4.6mm, Tail = 3.00mm
1	C = 8.5mm, Tail = 2.80mm

FINISH

45 Gold

NO. OF CONTACTS PER ROW

02 to 40

All dimensions in mm.