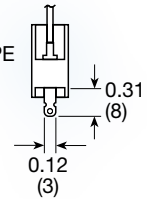
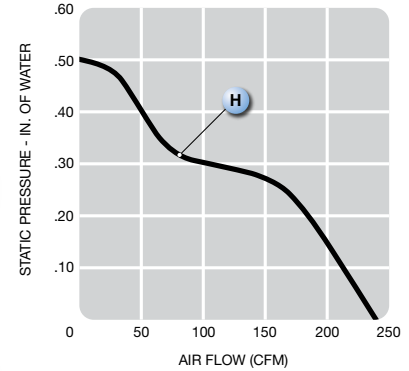
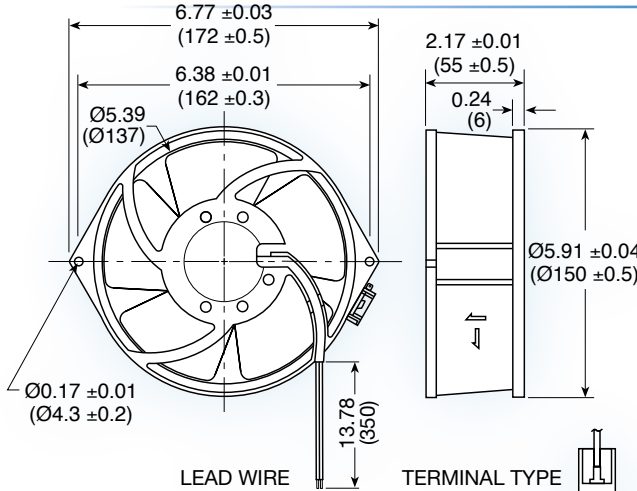


UF15KMR series



(172 x 150 x 55 mm)
6.77 x 5.91 x 2.17 inches



- Features:** high temp -40°C ~ 90°C operating temperature

- Operating voltage:** 115 or 230 VAC

- Construction:** aluminum die cast frame; metal impeller

- Bearing option:** ball bearing with high temp lubricant

- Motor:** shaded pole - Class F insulation

- Air Flow:** intake over struts

- Connection:** terminal or 22 AWG lead wire

- Protection:** thermal

Model No.	Rated Voltage V	Freq. HZ	Input Power W	Rated Cur. A	Locked Cur. A	Speed RPM	Air Volume		Max. Static Pressure (H ₂ O)		Sound Noise dbA	Weight kg
							M ³ /Min.	CFM	MM	INCH		
UF15KMR12-__H	115	60	45	0.51	0.80	3,150	7.2	255	12.5	0.50	61	1.10
UF15KMR23-__H	230	60	45	0.25	0.38	3,150	7.2	255	12.5	0.50	61	1.10

