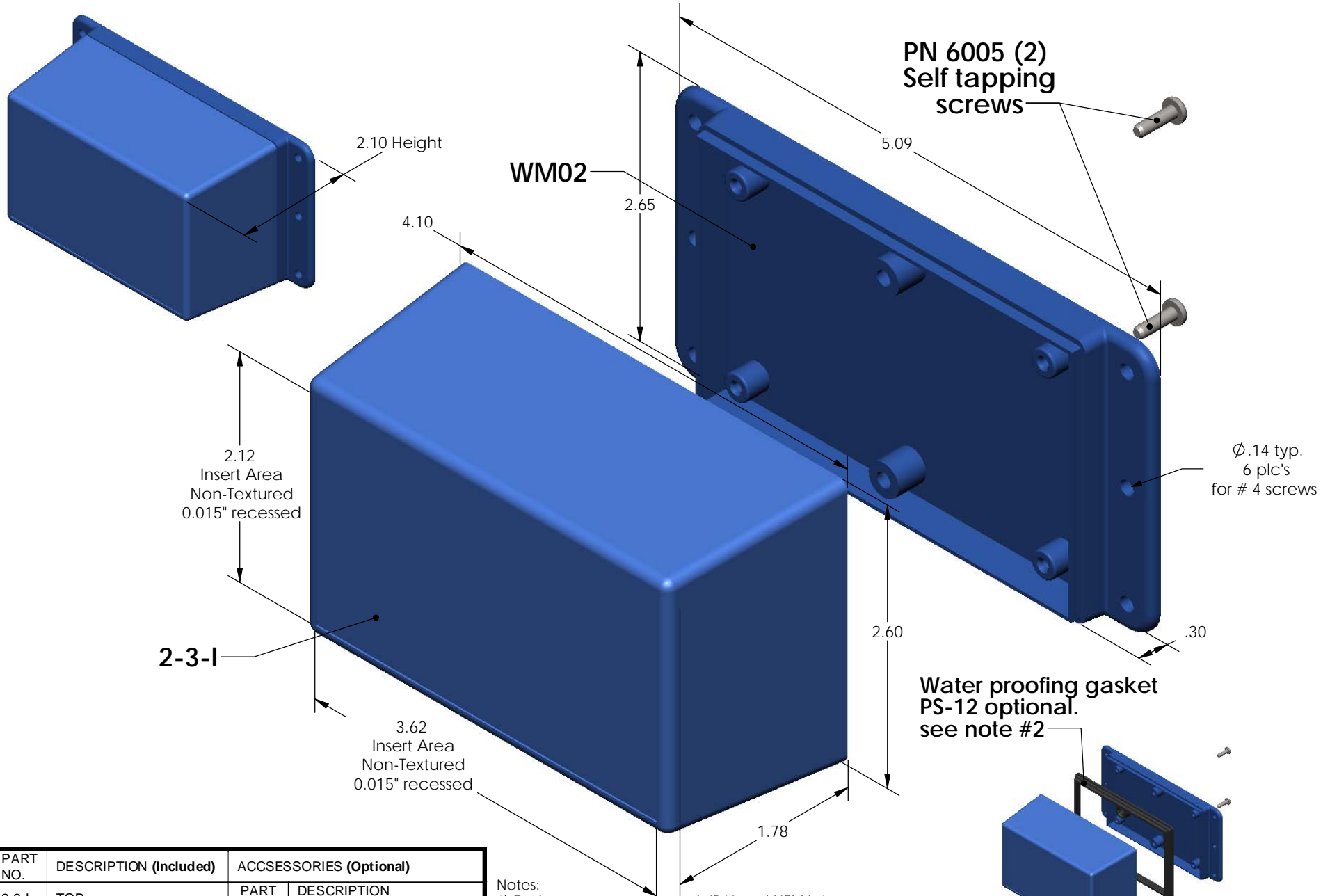


SERPAC WM023-I (exploded isometric)

Electronic Enclosures



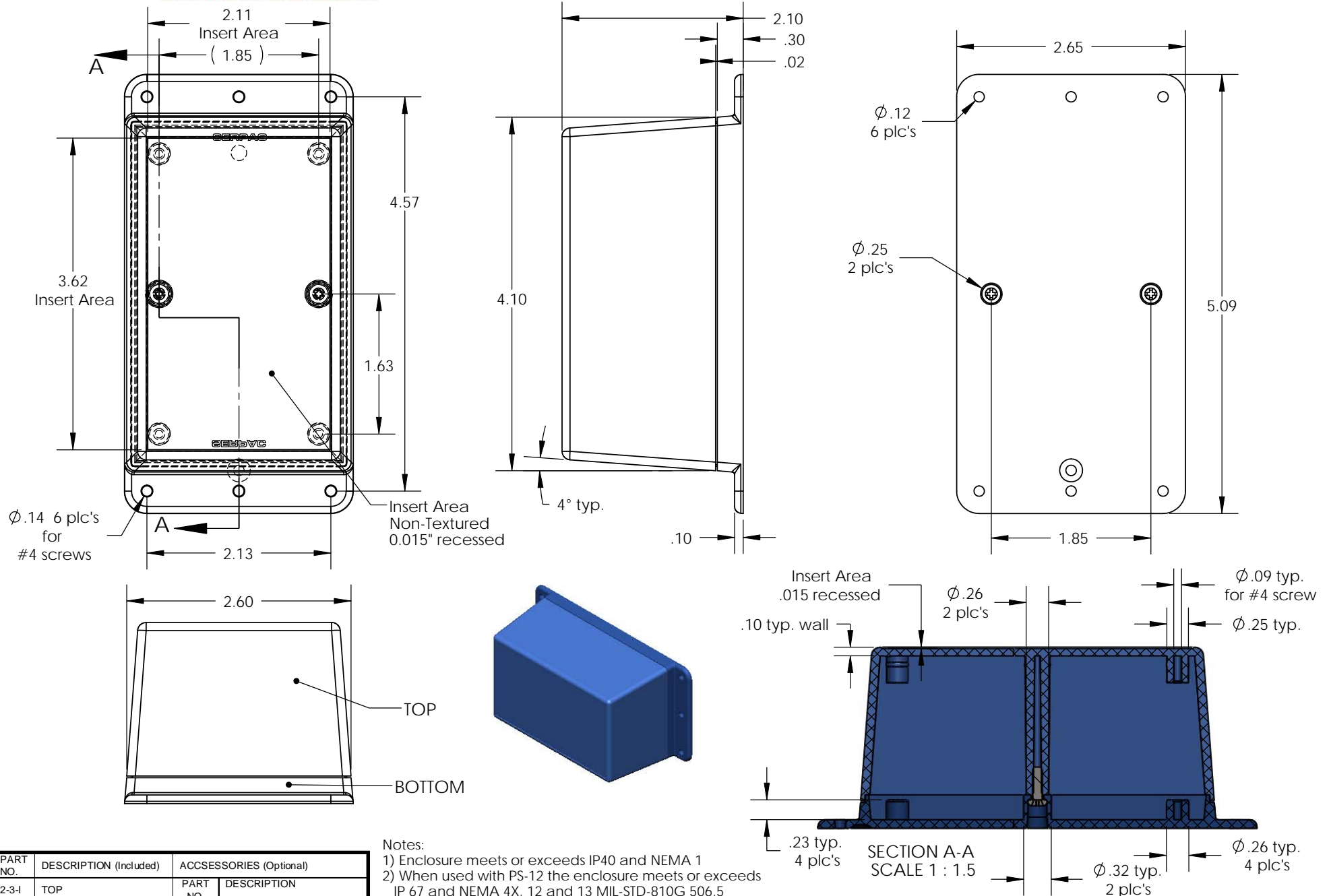
PART NO.	DESCRIPTION (Included)	ACCESSORIES (Optional)	
		PART NO.	DESCRIPTION
2-3-I	TOP		
WM02	BOTTOM	PS-12	Perimeter Seal
6005	#4 self tapping screw (2)		

- Notes:
- 1) Enclosure meets or exceeds IP40 and NEMA 1
 - 2) When used with PS-12 the enclosure meets or exceeds IP 67 and NEMA 4X, 12 and 13 MIL-STD-810G 506.5
 - 3) Circuit Board drawings can be download at:
http://www.serpac.com/Products/Accessories/CircuitBoard/drawings/CB_WM023.pdf
 - 4) All components are RoHS Compliant.

ALL DIMENSIONS ARE ± .010" 5/20/09 (1 of 2)
 619 Commercial Ave. Covina, CA 91723
 Ph. (626) 331-0517 Fx. (626) 331-8584 serpac.com

SERPAC WM023-1 (user print)

Electronic Enclosures



Notes:

- 1) Enclosure meets or exceeds IP40 and NEMA 1
- 2) When used with PS-12 the enclosure meets or exceeds IP 67 and NEMA 4X, 12 and 13 MIL-STD-810G 506.5
- 3) Circuit Board drawings can be download at: http://www.serpac.com/Products/Accessories/CircuitBoard/drawings/CB_WM023.pdf
- 4) All components are RoHS Compliant.

PART NO.	DESCRIPTION (Included)	ACCESSORIES (Optional)	
		PART NO.	DESCRIPTION
2-3-1	TOP		
WM02	BOTTOM	PS-12	Perimeter Seal
6005	#4 self tapping screw (2)		

SECTION A-A
SCALE 1 : 1.5

ALL DIMENSIONS ARE $\pm .010"$ 5/20/09 (2 of 2)
619 Commercial Ave. Covina, CA 91723
Ph. (626) 331-0517 Fx. (626) 331-8584 www.serpac.com