

RACON 12 - Short-travel keyswitch SMT gullwing (Z) terminals

1.14.001.920/0000

For keycaps, refer to RK 90.



Dimensions

Length of housing	12 mm
Width of housing	12 mm
Overall height	4,95±0,1 mm

Mechanical design

Mounting	soldering
Terminals	SMT Gullwing (Z)
Contact system	snap-action contact
Contact arrangement	1 NO
Contact materials	Au
Illumination	no

Mechanical characteristics

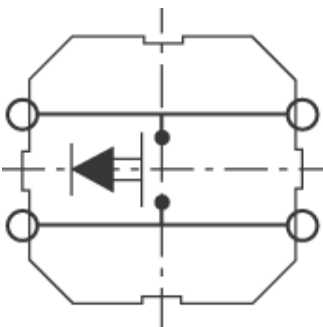
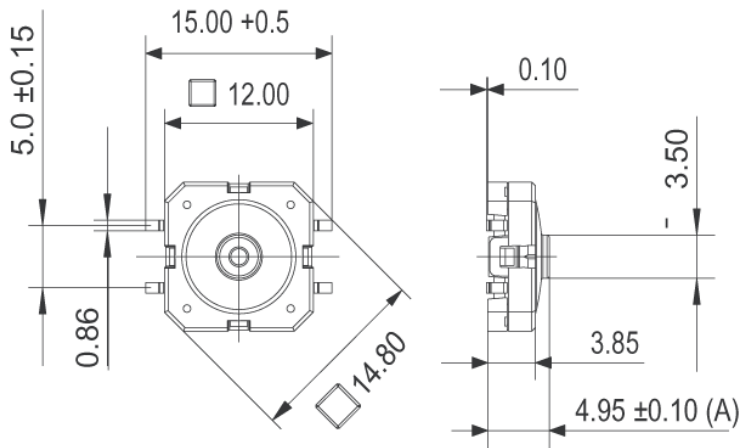
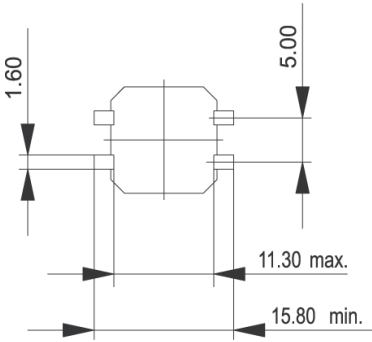
Operating force	9.7±2.5 N
Switching travel	0.73±0.1 mm

Electrical characteristics

Rated voltage min.	0.02 V
Rated voltage max.	35 V
Rated current min.	0.01 mA
Rated current max.	100 mA
Rated power max. (ohmic load)	1 W
Contact resistance when new max.	100 mΩ
Insulation resistance	109 Ω

Other specifications

Ambient temp. operating min.	-40 °C
Ambient temp. operating max.	+90 °C
Resistance to environment	DIN EN 60068-2 -14,-30,-33 and -78
Operating life	1,000,000 cycle
Solderability / Solder heat resistance	E DIN IEC 600 68-2-58
Flammability of materials	UL 94 HB
Packing	tape and reel 750 pieces
Produkt code	ZE



12.01.2012

