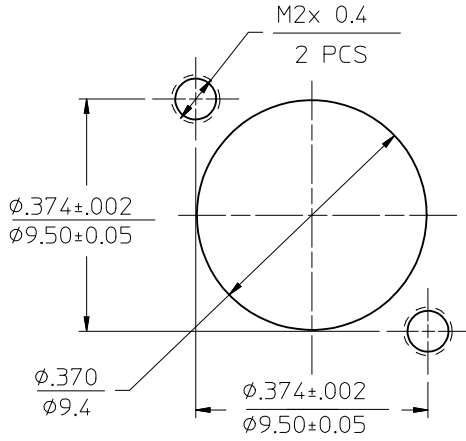
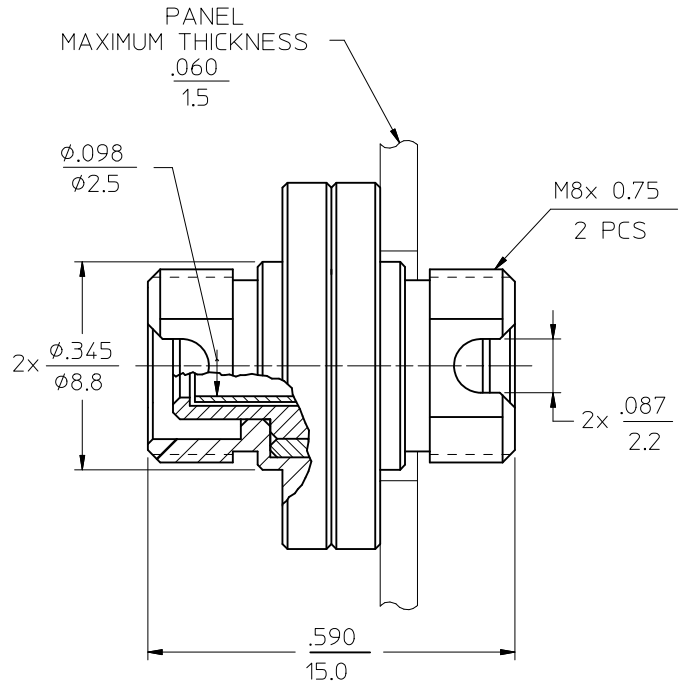
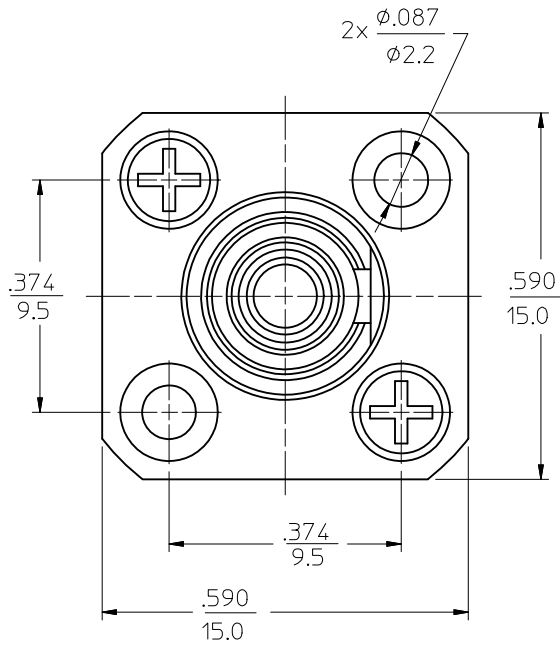


10	9	8	7	6	5	4	3	2	1
P/N OF ADAPTER	MATERIAL OF SLEEVE								
106152-0000	CERAMIC								
106156-0000	PHOSPHOR BRONZE								



RECOMMENDED MOUNTING HOLES



NOTE:  
1. DUST CAPS ARE INCLUDED, BUT NOT SHOWN

<b>ENTER DESCRIPTION</b> EC NO: MF2006-0270 DRAWN: PGIBLIN 2005/12/06 CHKD: 2005/12/06 APPR: LGUMIN 2005/12/06 A	QUALITY SYMBOLS $\nabla = 0$ $\nabla 7 = 0$	GENERAL TOLERANCES (UNLESS SPECIFIED) <table border="1"> <tr> <td></td> <td>mm</td> <td>INCH</td> </tr> <tr> <td>4 PLACES</td> <td>± ---</td> <td>± .0002</td> </tr> <tr> <td>3 PLACES</td> <td>± 0.005</td> <td>± .005</td> </tr> <tr> <td>2 PLACES</td> <td>± 0.13</td> <td>± .01</td> </tr> <tr> <td>1 PLACE</td> <td>± 0.25</td> <td>± ---</td> </tr> </table>		mm	INCH	4 PLACES	± ---	± .0002	3 PLACES	± 0.005	± .005	2 PLACES	± 0.13	± .01	1 PLACE	± 0.25	± ---	DIMENSION STYLE <b>IN/MM</b>	SCALE <b>5:1</b>	DESIGN UNITS <b>INCH</b>	THIRD ANGLE PROJECTION
		mm	INCH																		
	4 PLACES	± ---	± .0002																		
	3 PLACES	± 0.005	± .005																		
2 PLACES	± 0.13	± .01																			
1 PLACE	± 0.25	± ---																			
DRAFT WHERE APPLICABLE MUST REMAIN WITHIN DIMENSIONS	DRAWN BY PGIBLIN	DATE 2005/10/25	TITLE <b>FC TYPE ADAPTER</b>																		
MATERIAL NO. <b>SEE TABLE</b>	APPROVED BY	DATE	Molex MOLEX INCORPORATED																		
SIZE <b>B</b>	THIS DRAWING CONTAINS INFORMATION THAT IS PROPRIETARY TO MOLEX INCORPORATED AND SHOULD NOT BE USED WITHOUT WRITTEN PERMISSION			DOCUMENT NO. <b>SD-10615X-0000</b>	SHEET NO. <b>1 OF 01</b>																