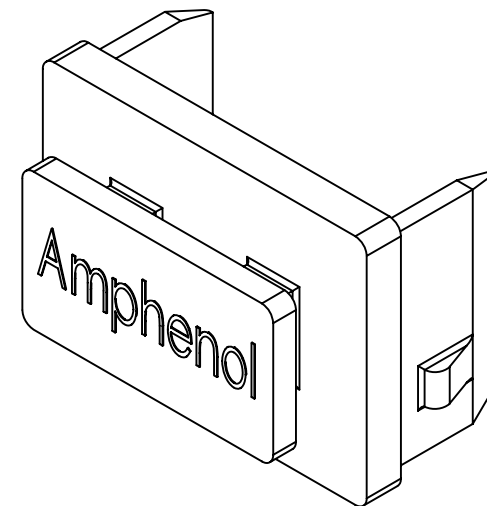
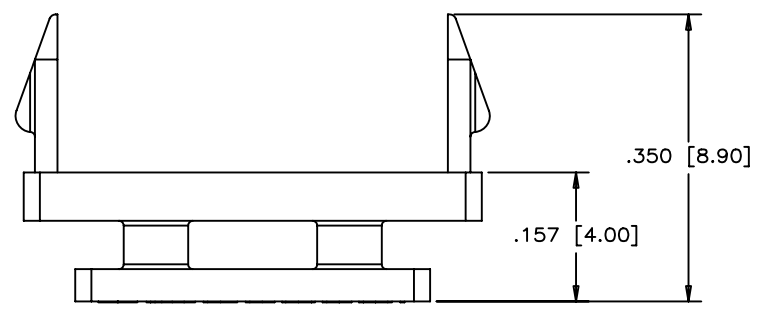
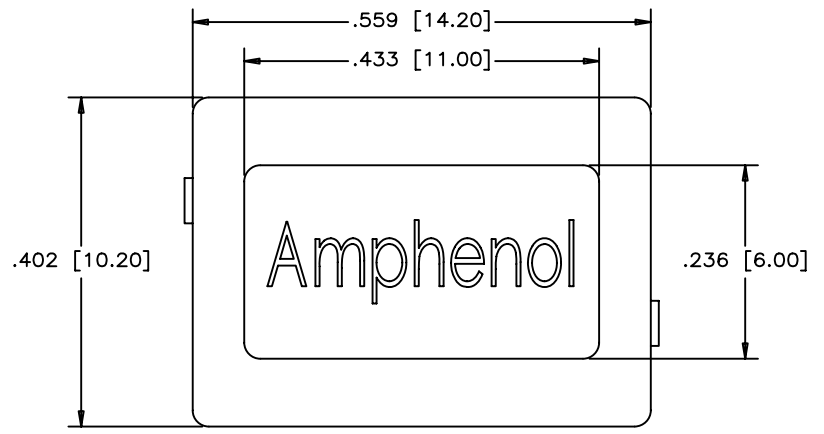


REVISIONS				
SYM	ZONE	ECN, ERN NO.	DATE	APPRD.
A		PROPOSAL	2006/01/12	
B		REVISED	JAN04/08	
C		UPDATED	JAN22/08	

THIS IS A CAD DRAWING. DO NOT MANUALLY REVISE.



ISOMETRIC VIEW



MATERIAL:
THERMOPLASTIC, FLAMMABILITY UL 94 V-0,
COLOR BLACK.

DRAWN	J.SI	DATE	2006/01/11	Amphenol Canada Corp. TITLE DUST COVER SFP GAGE				
DESIGNED	J.SI	2006/01/11						
CHECKED								
I. E. APPRD.								
Q. A. APPRD.								
DWG. APPRD.				DWG	DRAWING NO.	REV.		
ENG. REL. NO.				A	P-U77-A1110-8000P	C		
REF.				DIMENSIONS ARE IN CODE ID. NO. INCHES (mm) 03554				
				SCALE	4:1	WT.	SURF.	SHEET 1 OF 1

THIS DOCUMENT CONTAINS PROPRIETARY INFORMATION AND SUCH INFORMATION MAY NOT BE DISCLOSED TO OTHERS FOR ANY PURPOSE OR USED FOR MANUFACTURING PURPOSES WITHOUT WRITTEN PERMISSION FROM AMPHENOL CANADA CORP.