

## DETAILS

<b>Product Number</b>	C12329_STRADA-T-DN
<b>Family</b>	Strada
<b>Type</b>	Lens
<b>Color</b>	clear
<b>Diameter</b>	19,6 x 15,5 mm
<b>Height</b>	9,2 mm
<b>Style</b>	rectang
<b>Optic Material</b>	PMMA
<b>Holder Material</b>	
<b>Fastening</b>	screw, pin, glue
<b>Status</b>	production ready
<b>ROHS Compliant</b>	Yes
<b>Date Updated</b>	8/03/2014

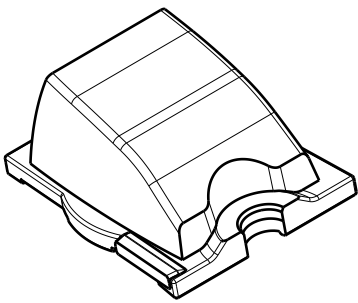


## OPTICAL PROPERTIES

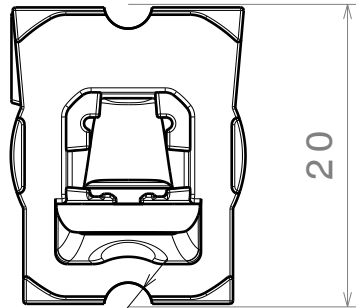
LED	Viewing Angle	Light Beam	Efficiency	cd/lm	Connector
MX-6	Asymmetric deg	Streetligh...	93 %	-	-
NS6x83	Asymmetric deg	Streetligh...	93 %	-	-
NS3x83	Asymmetric deg	Streetligh...	93 %	-	-
OLP-x5050F6L	Asymmetric deg	Streetligh...	93 %	0.300	-

D C B A

4



Isometric view

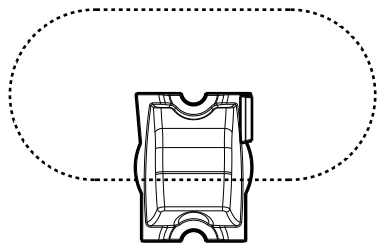


20  
fastening

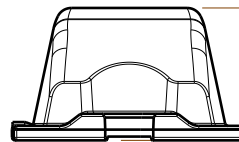
Bottom view

$\varnothing 3.2$

3



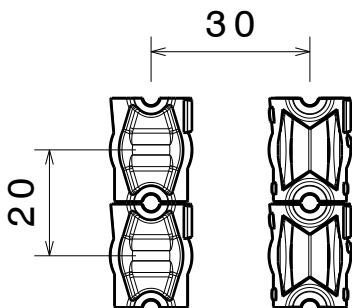
Beam direction



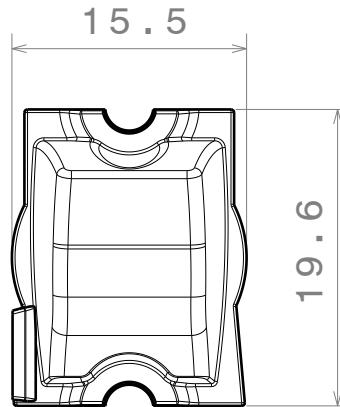
9.2  
with tape 9.6

Front view

2



Strada lens arrangement  
recomendation



Top view

**MATERIALS**

Lens: PMMA

Tape(optional): PU Foam

Part no. with tape fastening: CA12332\_Strada-T-DN

This drawing is our property.  
It can't be reproduced  
or communicated without  
our written agreement.



Ledil Oy  
Salorankatu 10  
FIN-24100 SALO  
Finland

**DRAWING TITLE**

Datasheet Strada-T-DN Lens

**DRAWN BY**

ah

**DATE**

13.12.2011

**CHECKED BY**

vs

**DATE**

13.12.2011

**DESIGNED BY**

hh

**DATE**

07.09.2011

**SIZE**

A4

**DRAWING NUMBER**

C12329

**REV**

1

**SCALE**

2:1

**WEIGHT (g)**

**SHEET**

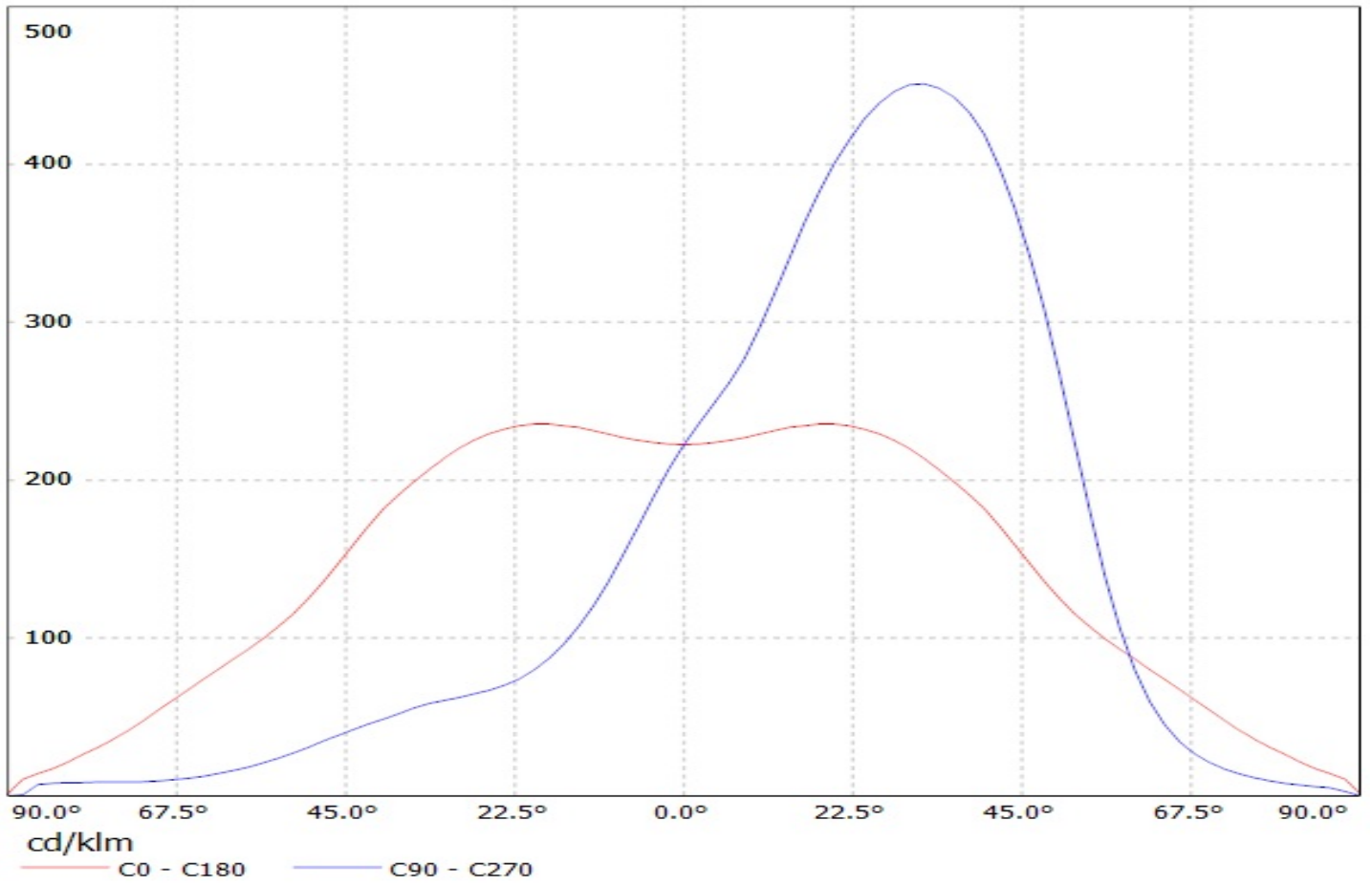
1/1

1

1

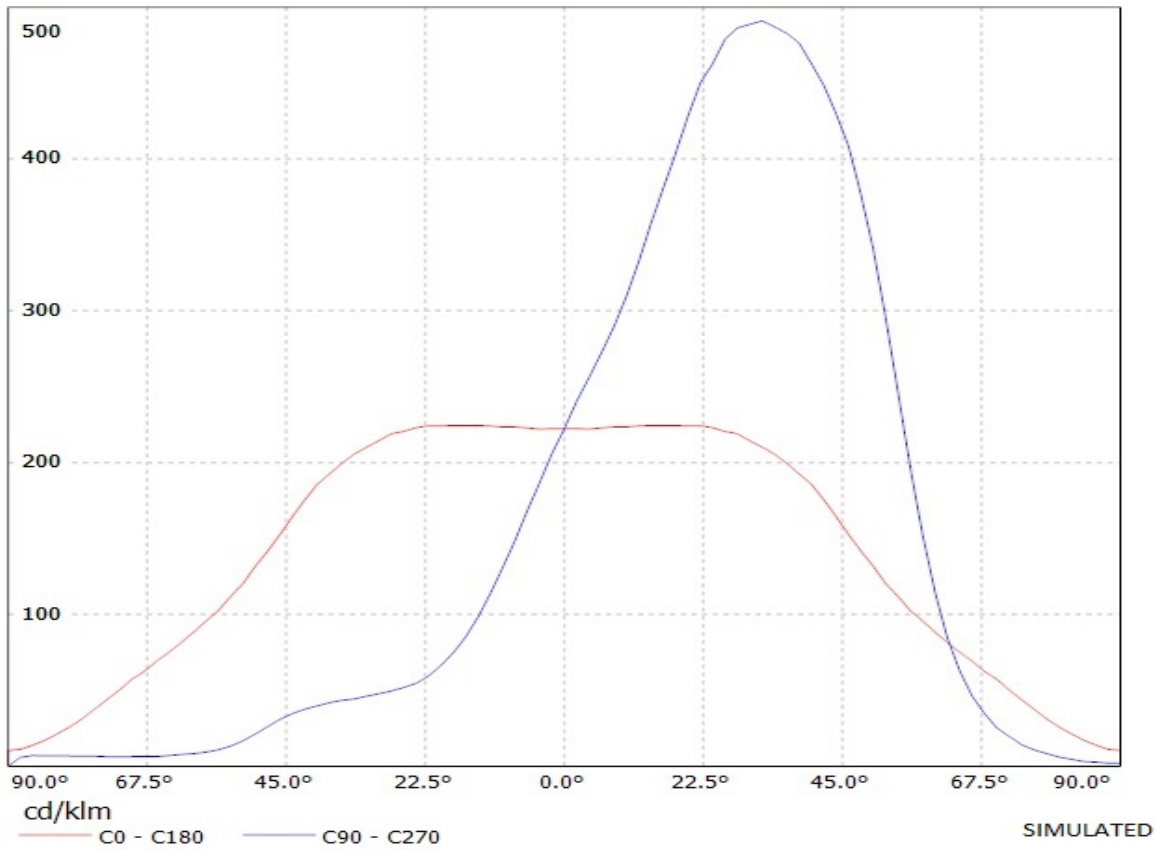
D A

Luminaire: Ledil Oy C12329-Strada-T-DN  
Lamps: 1 x Cree MX-6 74lm 250mA

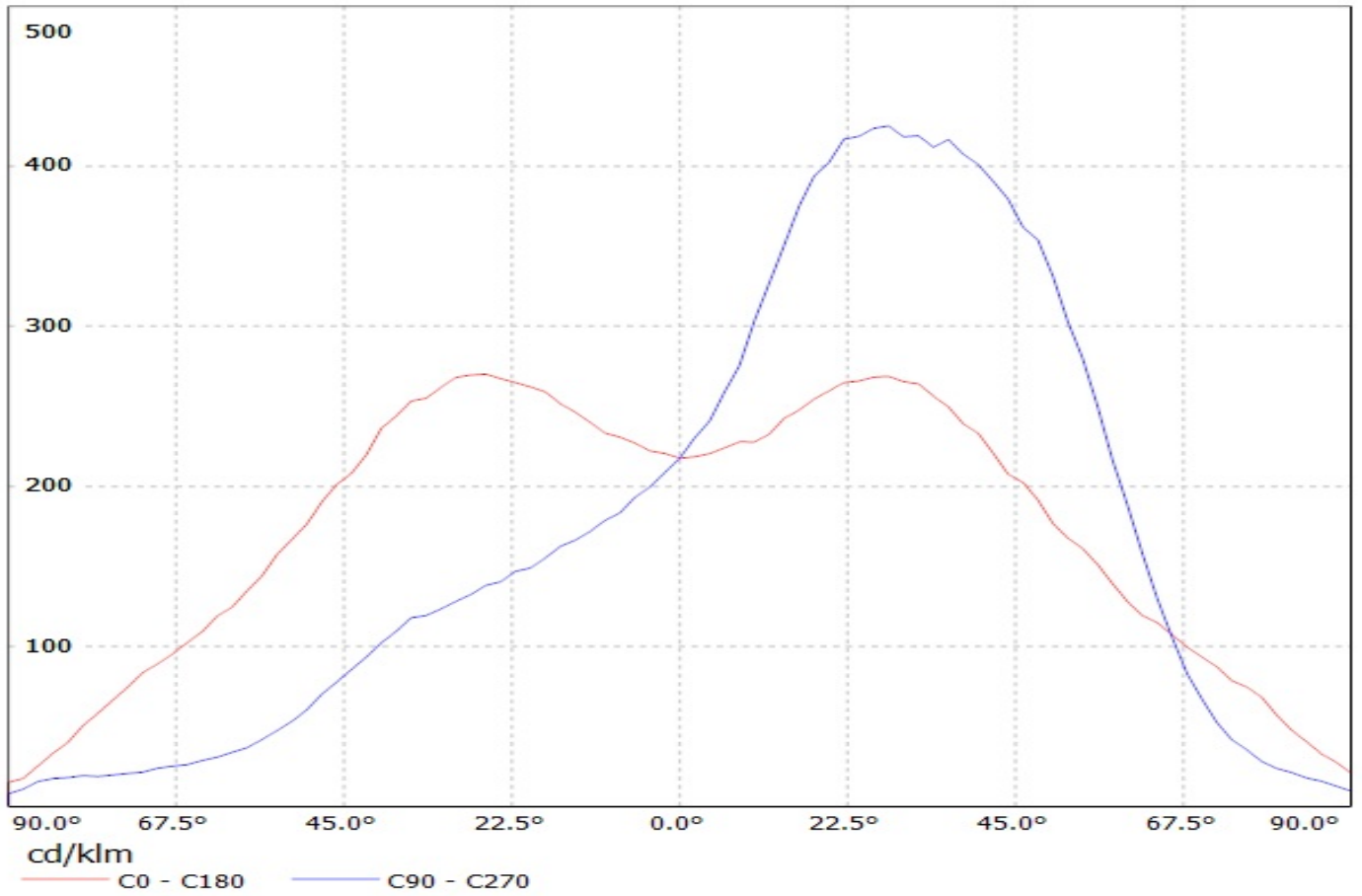


# Ledil Oy C12329-Strada-T-DN / LDC (Linear)

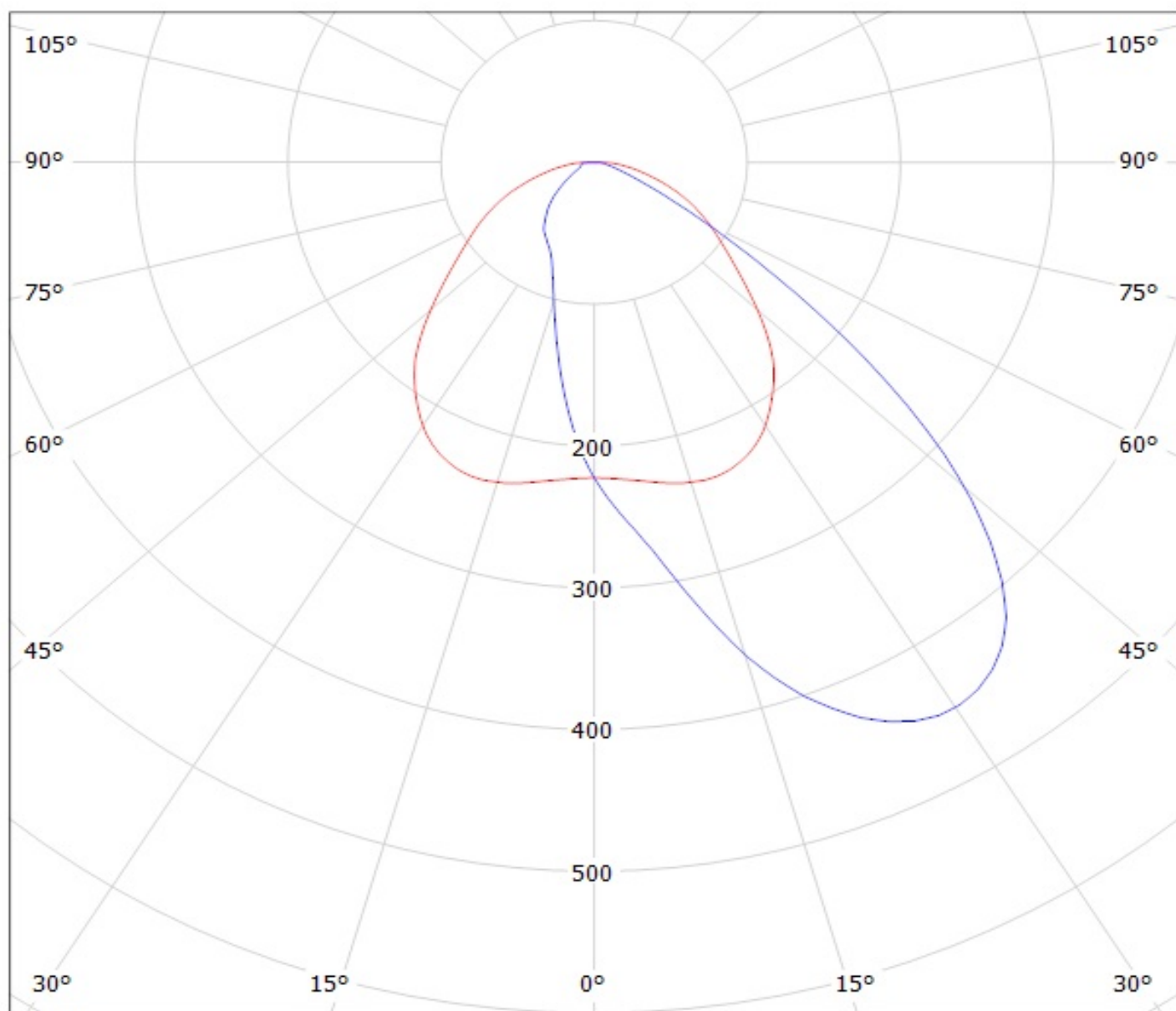
Luminaire: Ledil Oy C12329-Strada-T-DN  
Lamps: 1 x Nichia 6N183 250mA 77,1lm



Luminaire: Ledil Oy C12329\_STRADA-T-DN (Optogan 80lm @ 250mA) Efficiency=93%  
Lamps: 1 x Optogan 80lm @ 250mA



Luminaire: Ledil Oy C12329-Strada-T-DN  
Lamps: 1 x Cree MX-6 74lm 250mA



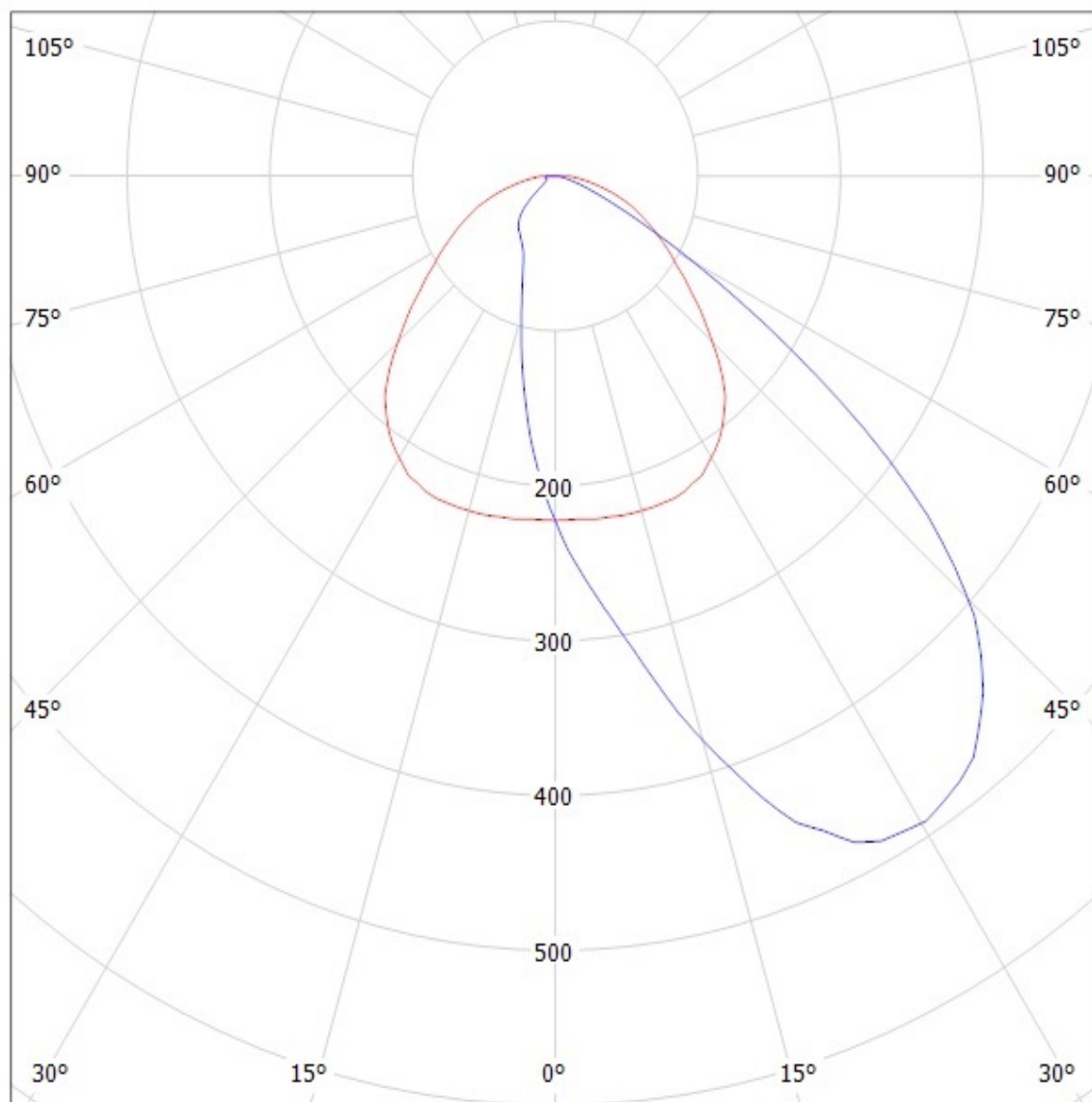
cd/klm

— C0 - C180

— C90 - C270

# Ledil Oy C12329-Strada-T-DN / LDC (Polar)

Luminaire: Ledil Oy C12329-Strada-T-DN  
Lamps: 1 x Nichia 6N183 250mA 77,1lm

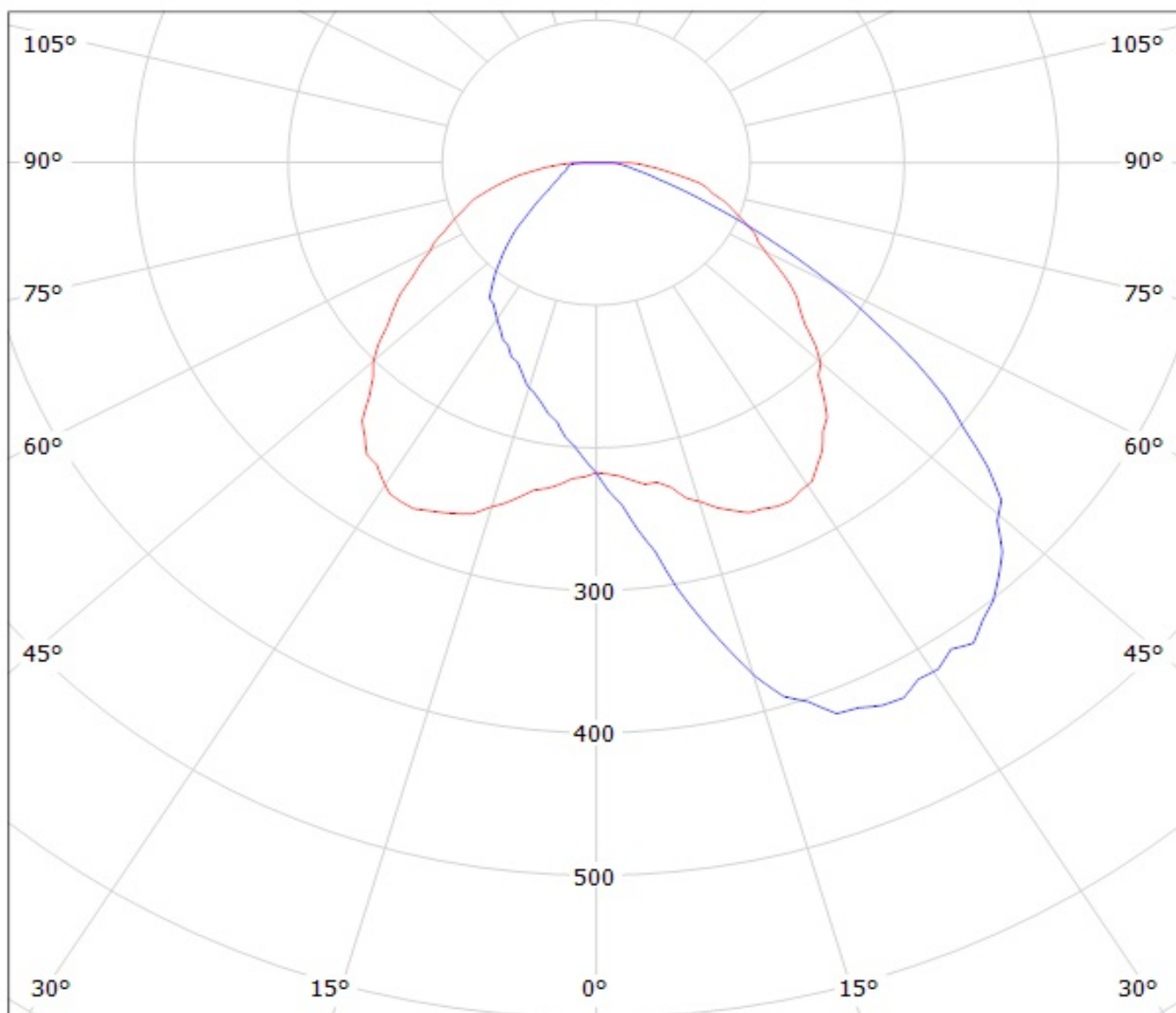


cd/klm

— C0 - C180 — C90 - C270

SIMULATED

Luminaire: Ledil Oy C12329\_STRADA-T-DN (Optogan 80lm @ 250mA) Efficiency=93%  
Lamps: 1 x Optogan 80lm @ 250mA



cd/klm

— C0 - C180    — C90 - C270



**NOTE: The typical divergence will be changed by different color, chip size and chip position tolerance. The typical total divergence is the full angle measured where the luminous intensity is half of the peak value.**