

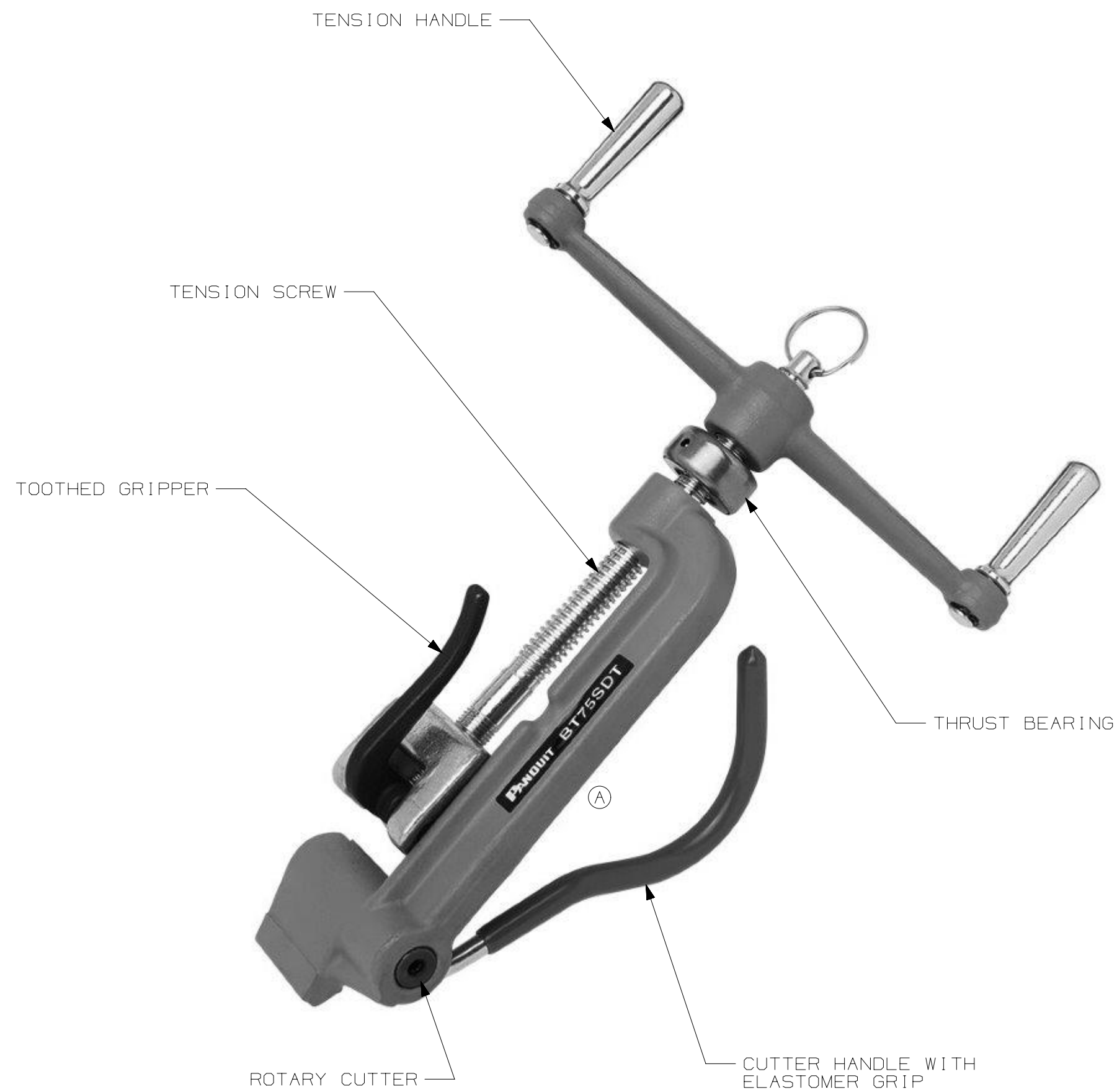
NOTES:

1. SPECIFICATIONS:

STROKE:	3.25 IN. (82.5 mm)
LENGTH:	11.5 IN. (292 mm)
MAX. LENGTH:	15.0 IN. (381 mm)
HANDLE WIDTH:	8.0 IN. (203 mm)
WEIGHT:	4.4 LB. (2.0 kg)
MAX APPLIED STRAP TENSION:	2500 LB. (1134 kg)
MAX HANDLE FORCE:	46 LB. (20.9 kg)
COLOR:	BLUE

2. PANDUIT BT75SDT USES:

INSTALL 0.75" (19.1MM) WIDTH STRAPPING ONLY.



						TITLE BT75SDT			
						CUSTOMER DRAWING			
						ITEM REVISION NAME R26069BA/02			
						DATASET FILE NAME R26069BA_TM26069C01/01			
						UNLESS OTHERWISE SPECIFIED, DIMENSIONAL TOLERANCES ARE: 1N (mm)			
						.X ± - .XXX ± - .XX ± - ANGLES ± -			
						THIRD ANGLE PROJECTION			
						DRAWING NUMBER: TM26069C01			
						DRAWN BY DATE CHK SCALE PWG 04-30-09 ABJ NONE			
						SHT 1 OF 1 SIZE C			
02	2-19-16	JEH	BLR	JADE	UPDATED BRANDING (A)	9439			
REV	DATE	BY	CHK	APR	DESCRIPTION	ECN			