

MATERIALS AND FINISHES

PART NO. 73386-0300

BODY, STAINLESS STEEL
PASSIVATED

COUPLING NUT, STAINLESS STEEL
PASSIVATED

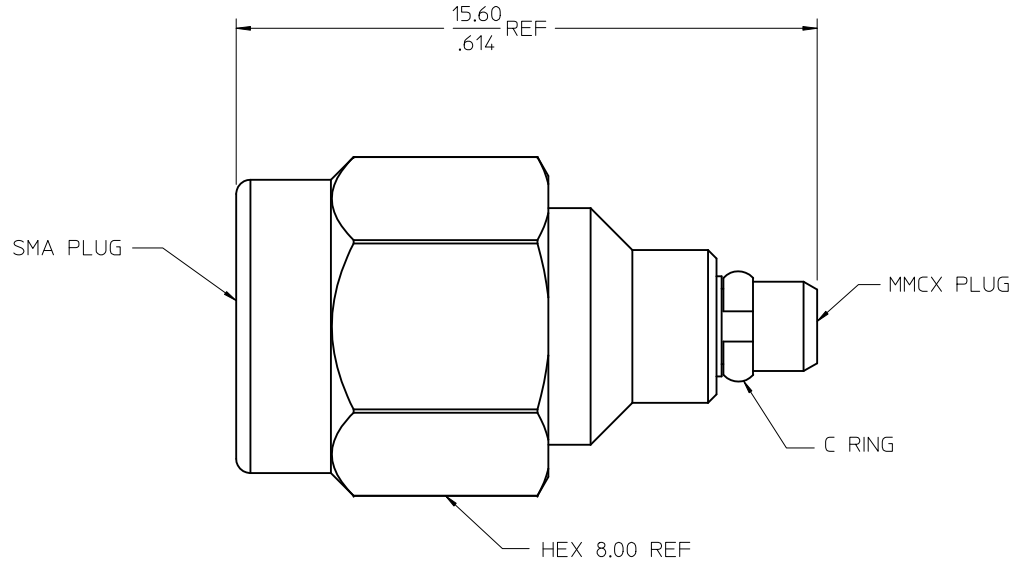
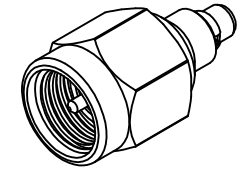
CENTER CONTACT, BRASS
PLATED GOLD

C RING, BERYLLIUM COPPER
PLATED GOLD

INSULATOR, TEFLON

GASKET, SILICONE RUBBER

PACKAGING BY TRAY EXCEPT AS NOTED



LABEL FORMAT FOR
73386-0302

PART NUMBER: 73386-0300
ORDER NUMBER: 73386-0302
MOLEX
DATE: YYWW

PART # 73386-0300

73386-0302	ONE -0300 PER BAG
73386-0301	TRAY (SEE PAGE 2)
73386-0300	TRAY (SEE PAGE 1)
PART NO.	PACKAGING

ES-73599-0000-0150	MMCX PLUG INTERFACE
MIL-STD-348, FIG. 310.1	INTERFACE
SPECIFICATION	DESCRIPTION

CHG: ADD LABEL FORMAT A3	EC NO: URF2012-0380 DRW: BOMALLEY 2012/01/04 CHK: D-AZR APPR: J-MENER 2012/01/04	QUALITY SYMBOLS ▽=0 ▽=0	GENERAL TOLERANCES (UNLESS SPECIFIED)		DIMENSION STYLE MM/IN		SCALE	DESIGN UNITS	THIRD ANGLE PROJECTION		
				mm	INCH	DRAWN BY	DATE	TITLE	SMA PLUG TO MMCX PLUG ADAPTOR, 50 OHM BSA-SMAP/MMCXP	MOLEX INCORPORATED	SHEET NO. 1 OF 2
			4 PLACES	±---	±---	LYNN	2001/12/18				
			3 PLACES	±---	±---	CHECKED BY	DATE				
2 PLACES	±---	±---	VINCENT	2001/12/18							
1 PLACE	±---	±---	APPROVED BY	DATE							
ANGULAR		±---°	MISEN	2001/12/18							
DRAFT WHERE APPLICABLE MUST REMAIN WITHIN DIMENSIONS			MATERIAL NO.		DOCUMENT NO.						
			SEE TABLE		SD-73386-030						
THIS DRAWING CONTAINS INFORMATION THAT IS PROPRIETARY TO MOLEX INCORPORATED AND SHOULD NOT BE USED WITHOUT WRITTEN PERMISSION											

13 12 11 10 9 8 7 6 5 4 3 2 1

MATERIALS AND FINISHES

PART NO. 73386-0301

BODY, STAINLESS STEEL
PASSIVATED

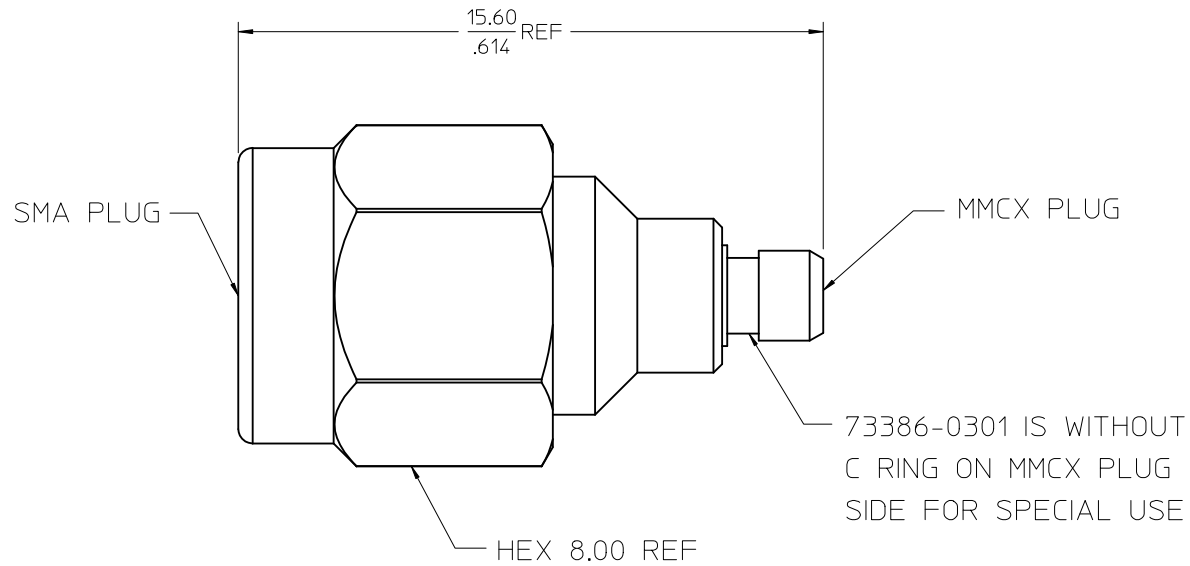
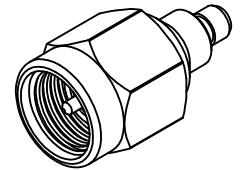
COUPLING NUT, STAINLESS STEEL
PASSIVATED

CENTER CONTACT, BRASS
PLATED GOLD

INSULATOR, TEFLON

GASKET, SILICONE RUBBER

PACKAGING BY TRAY



PART # 73386-0301

ES-73599-0000-0150	MMCX PLUG INTERFACE
MIL-STD-348, FIG. 310.1	INTERFACE
SPECIFICATION	DESCRIPTION

SEE SHEET 1 EC NO: URF2012-0380 DRW: BOMALLEY 2012/01/04 CHKD: AZR APPR: JMIENER 2012/01/04 A3	QUALITY SYMBOLS 	GENERAL TOLERANCES (UNLESS SPECIFIED)		DIMENSION STYLE MM/IN		SCALE	DESIGN UNITS METRIC	THIRD ANGLE PROJECTION	
		4 PLACES ± --- ± --- 3 PLACES ± --- ± --- 2 PLACES ± --- ± --- 1 PLACE ± --- ± --- ANGULAR ± ---°	DRAWN BY LYNN DATE 2001/12/18 CHECKED BY VINCENT DATE 2001/12/18 APPROVED BY MISEN DATE 2001/12/18	TITLE SMA PLUG TO MMCX PLUG ADAPTOR, 50 OHM BSA-SMAP/MMCXP		MOLEX INCORPORATED		MATERIAL NO. SD-73386-030	
DRAFT WHERE APPLICABLE MUST REMAIN WITHIN DIMENSIONS				SIZE C		THIS DRAWING CONTAINS INFORMATION THAT IS PROPRIETARY TO MOLEX INCORPORATED AND SHOULD NOT BE USED WITHOUT WRITTEN PERMISSION			