

THIS DRAWING IS UNPUBLISHED. RELEASED FOR PUBLICATION
 © COPYRIGHT BY TYCO ELECTRONICS CORPORATION. ALL RIGHTS RESERVED.

LOC		DIST		REVISIONS			
P	LTR	DATE	DWN	APVD			
0		1/12/05	SS	SRY	REVISED PER 0G3B-1162-04		

NOTES:
 ▲ MATERIAL: .032 THICK, BRASS, TEMPERED.
 ▲ FINISH: BRIGHT TIN PLATE.

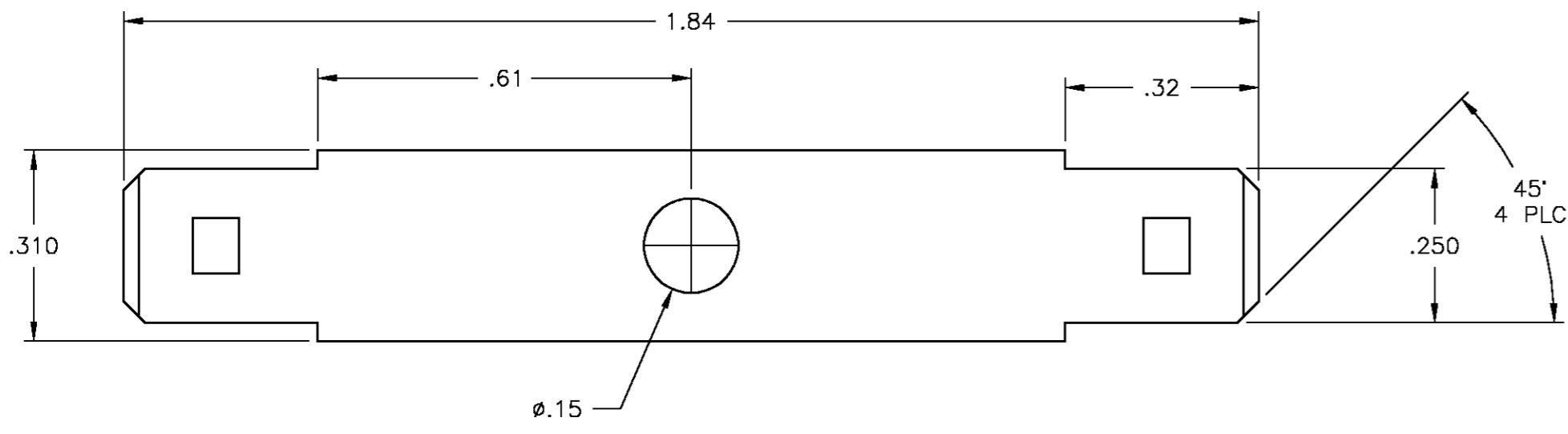


FIGURE 1

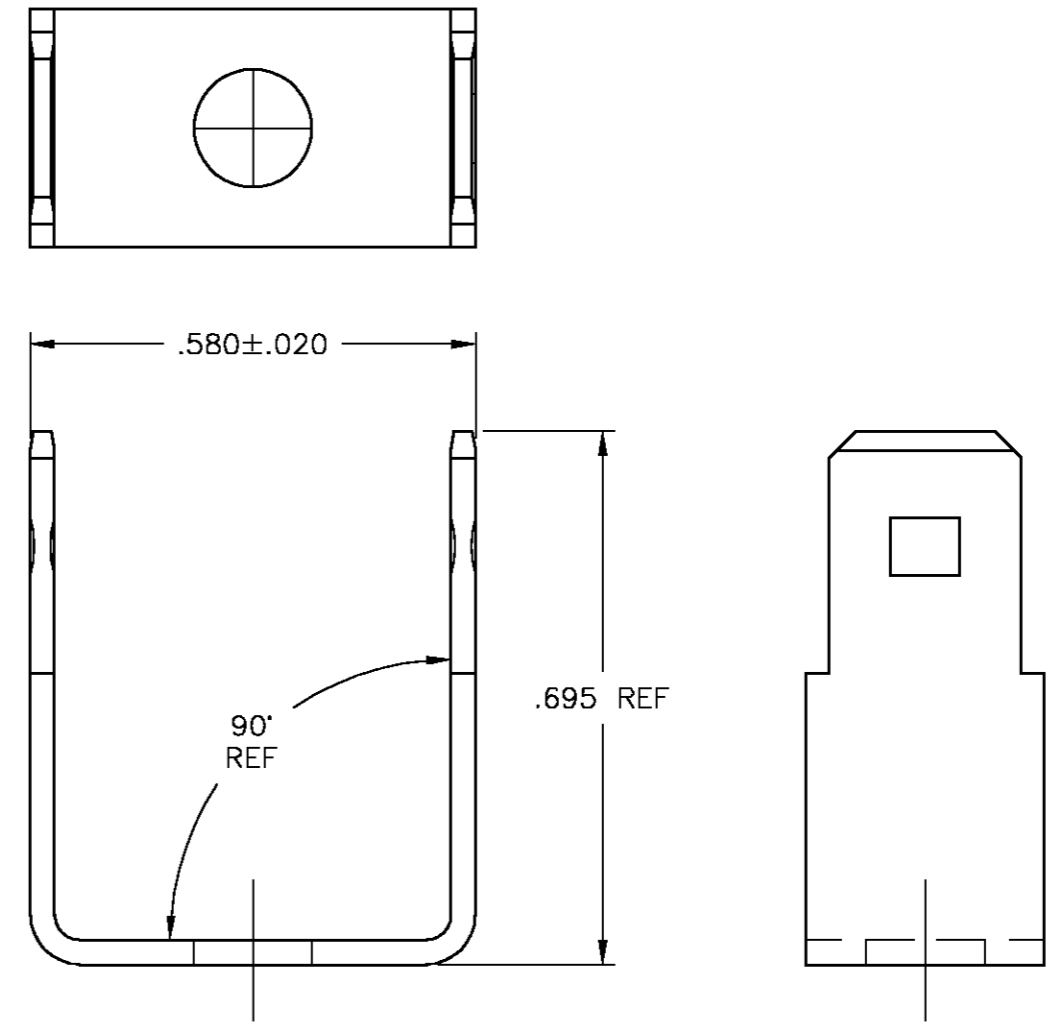
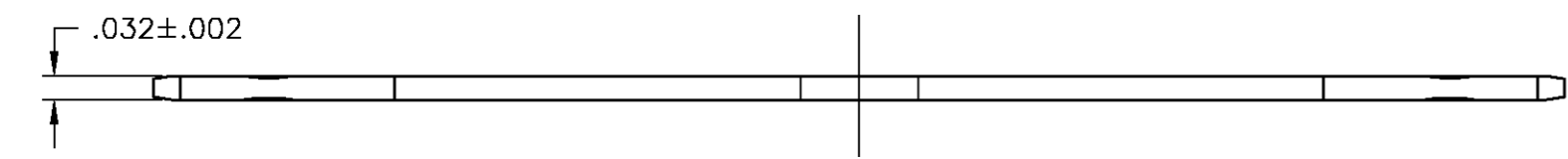


FIGURE 2

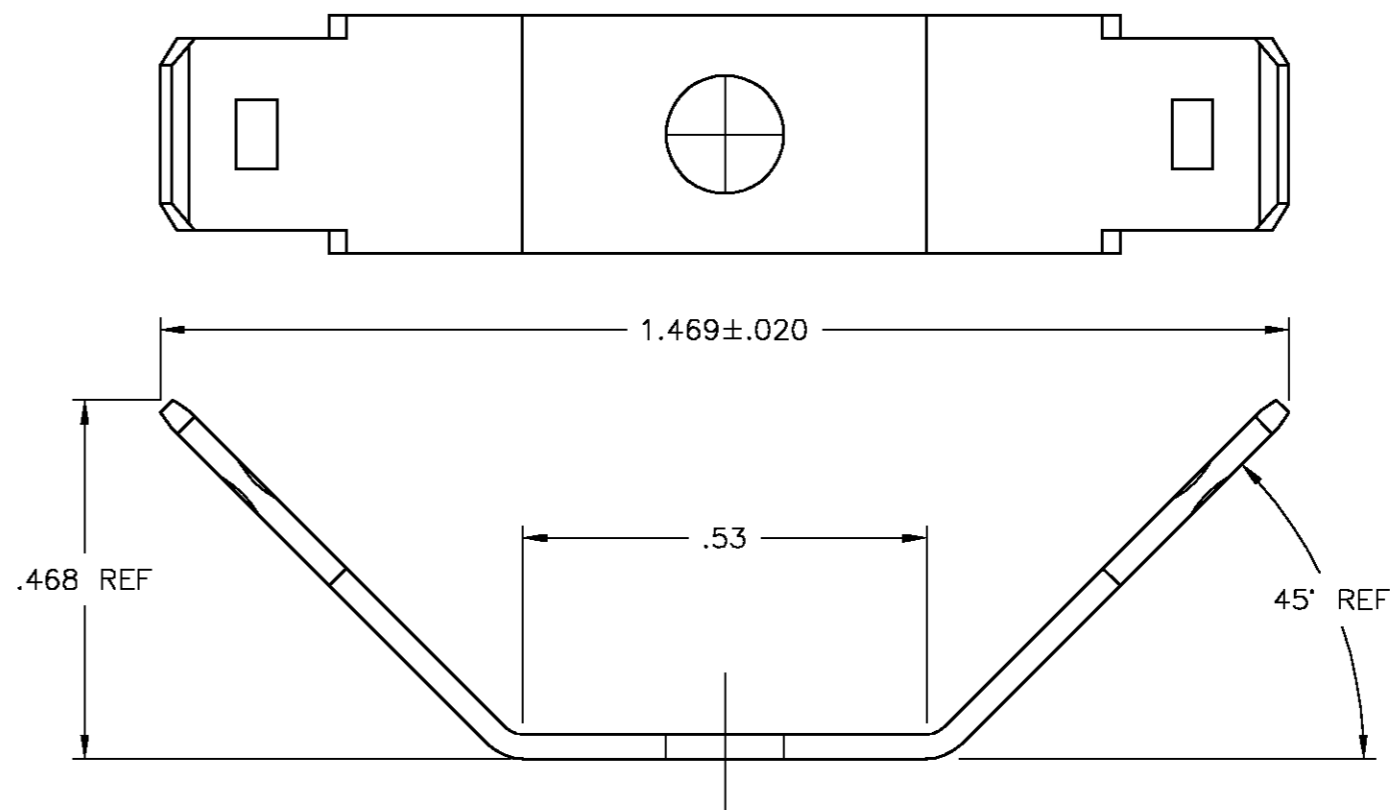


FIGURE 3

FIGURE 3	1776090-3
FIGURE 2	1776090-2
FIGURE 1	1776090-1
FIGURE	PART NO.

THIS DRAWING IS A CONTROLLED DOCUMENT.		DWN	S SCHLEGEL	5/19/04	BUCHANAN Tyco Electronics Corporation Harrisburg, Pa 17105-3608
DIMENSIONS: INCHES		CHK	S YODER	5/19/04	
TOLERANCES UNLESS OTHERWISE SPECIFIED:		APVD	S YODER	5/19/04	
0 PLC ± - 1 PLC ± - 2 PLC ± .01 3 PLC ± .005 4 PLC ± - ANGLES ± 2° FINISH -		PRODUCT SPEC	NAME		
MATERIAL - ▲		APPLICATION SPEC	.250 WIDE QC TABS, DOUBLE SIDED, EXTRA LONG JC6 & SSB7		RESTRICTED TO
		WEIGHT	A2 00779 C=1776090		
		CUSTOMER DRAWING	SCALE	4:1	SHEET 1 OF 1 REV 0