

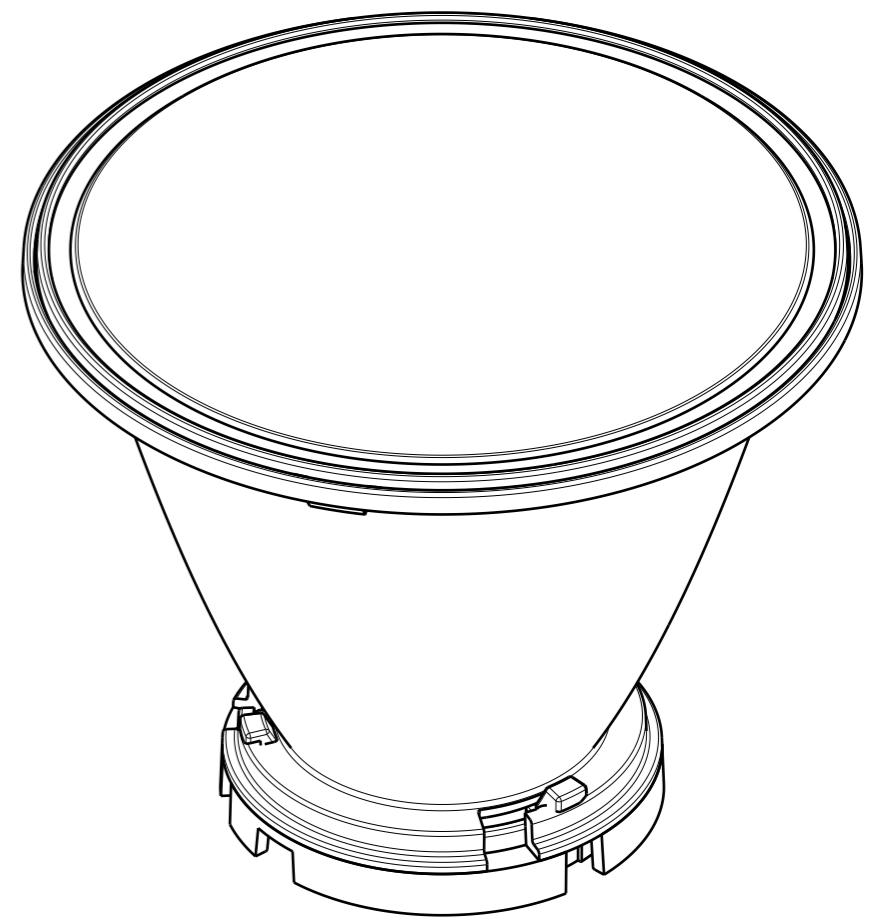
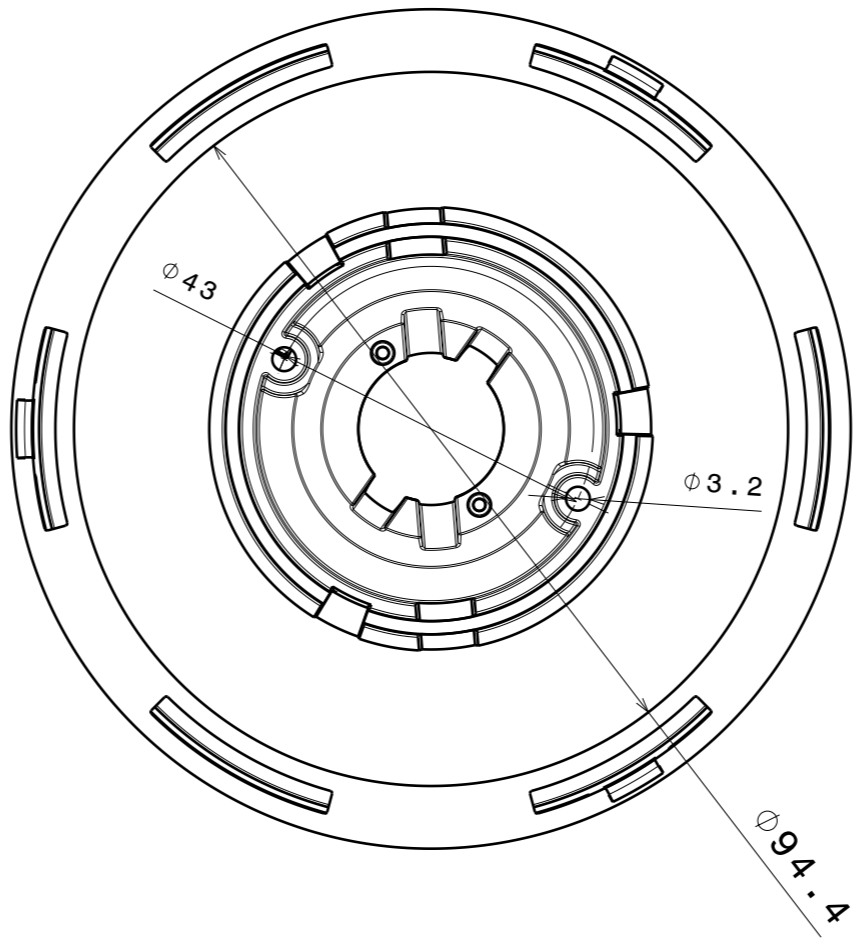
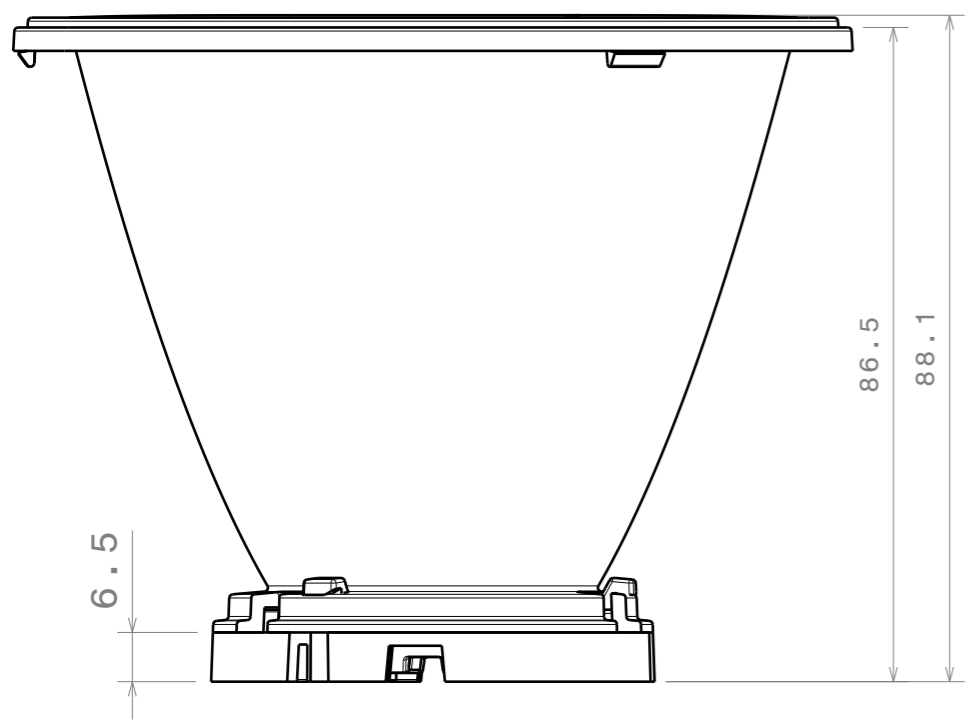
DETAILS

Product Number	CN13261_LENA-SS-DL
Family	Lena
Type	RefPack
Color	metal
Diameter	111 mm
Height	88,1 mm
Style	round
Optic Material	PC
Holder Material	
Fastening	socket, screw
Status	production ready
ROHS Compliant	Yes
Date Updated	23/02/2014

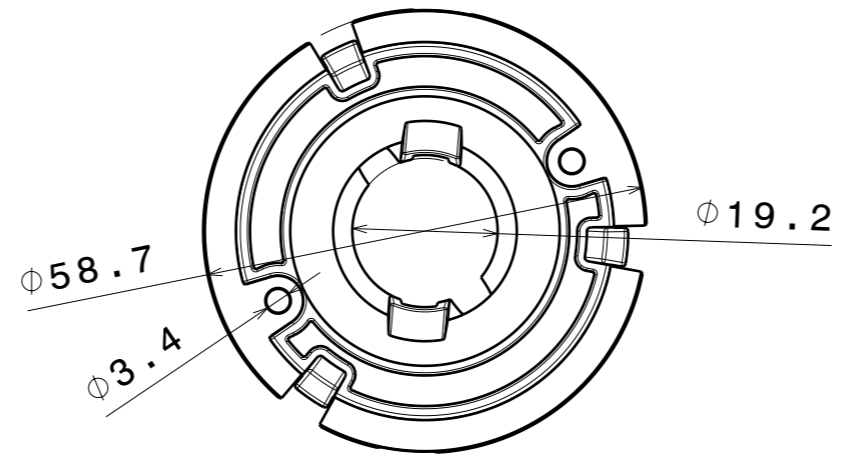
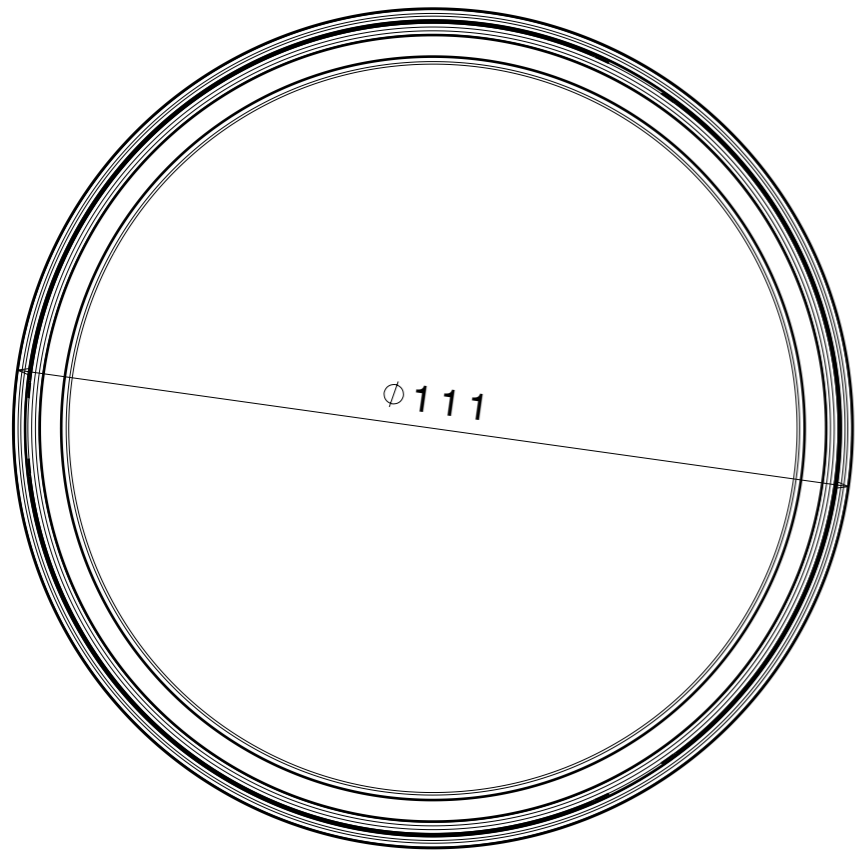
OPTICAL PROPERTIES

LED	Viewing Angle	Light Beam	Efficiency	cd/lm	Connector
LUXEON K12	14 deg	Smooth spo...75 %		6.150	-
LUXEON K16	15 deg	Smooth spo...73 %		5.000	-





Isometric view

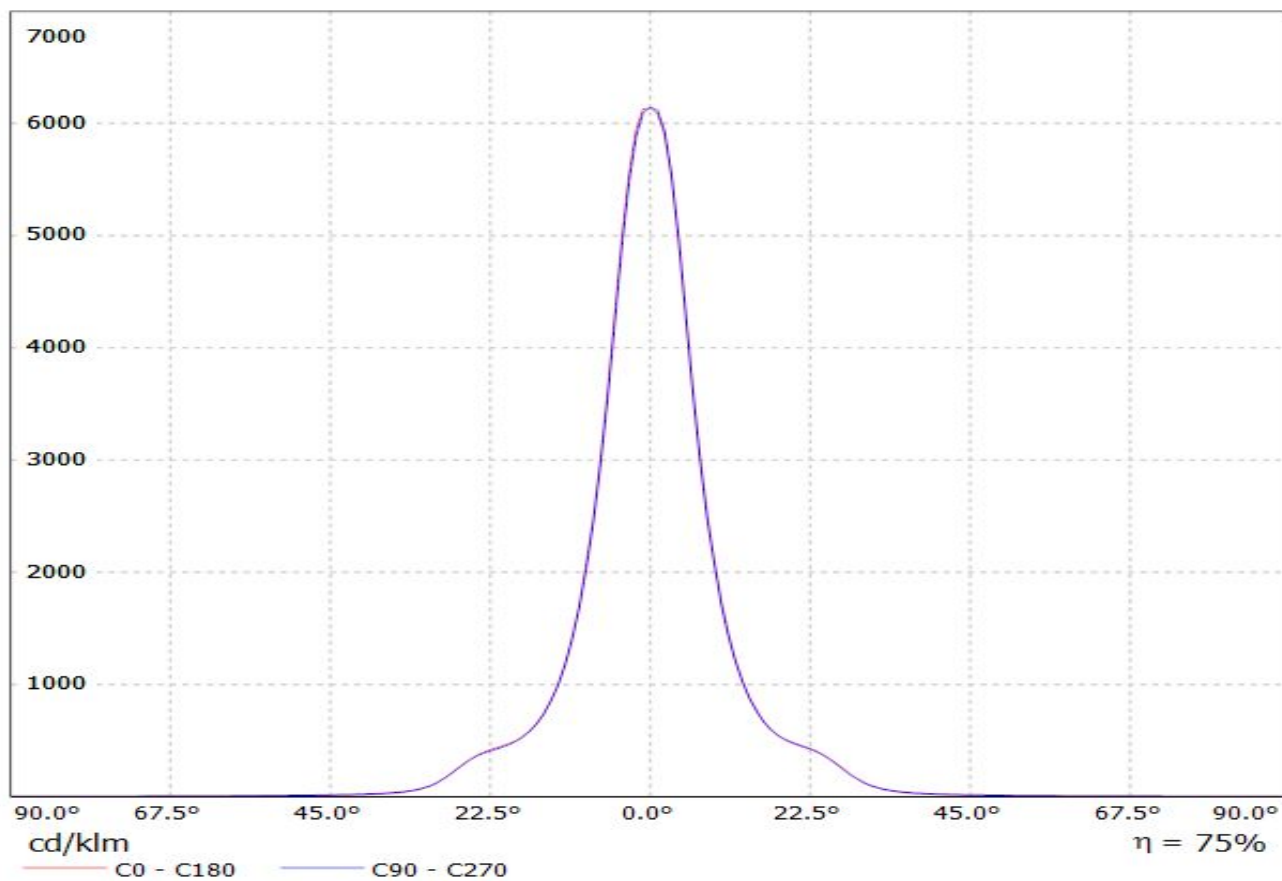


Base part designed for
Philips Lumileds LUXEON K, 12up and 16up versions

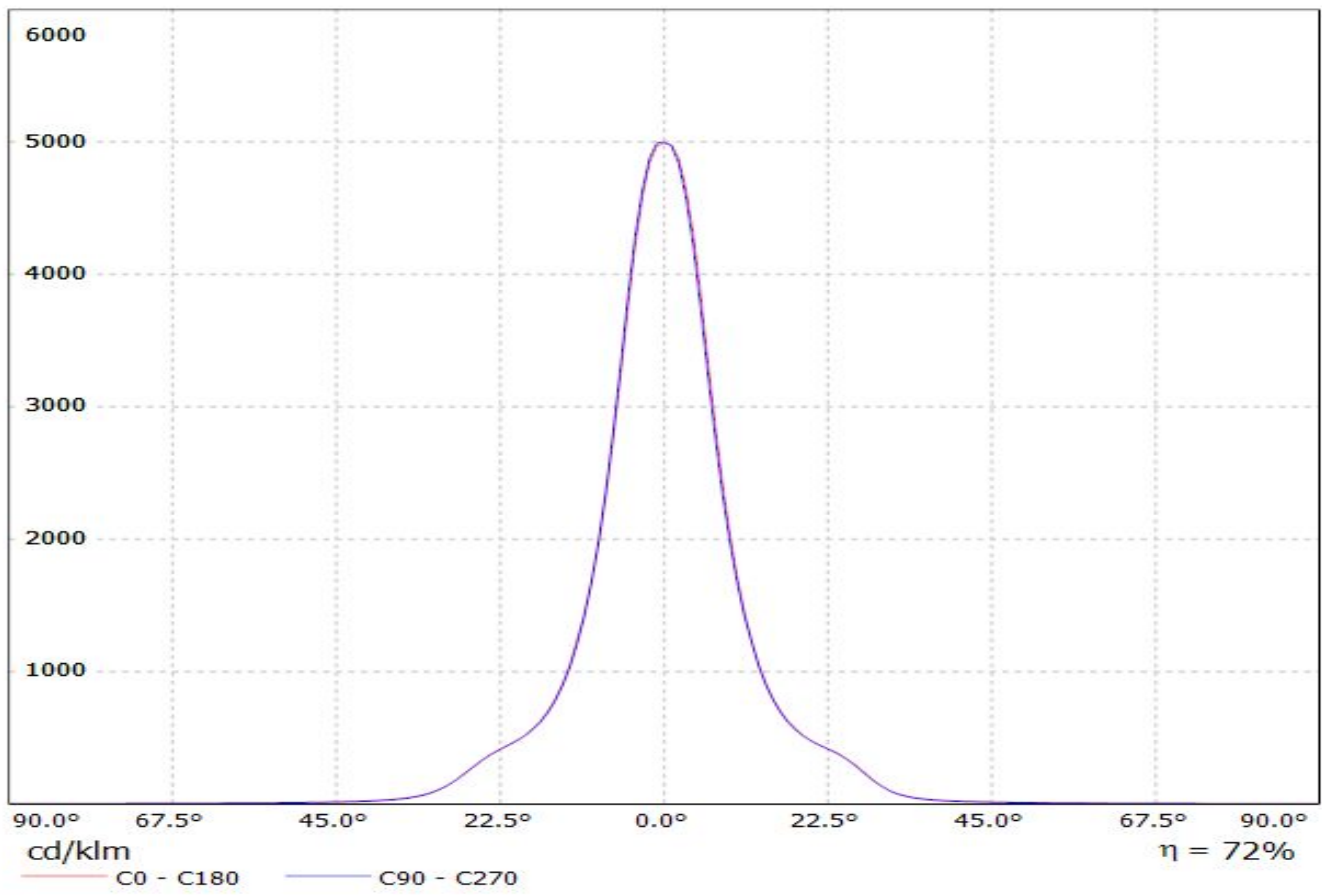
- Material:
- subLens
 - PC
 - Reflector
 - PC
 - Metal coating and clear lacquer
 - Holder base
 - PC
 - Color white

This drawing is our property. It can't be reproduced or communicated without our written agreement.		 Ledil Oy Salorankatu 10 FIN 24240 SALO Finland	
DRAWING TITLE		Part Drawing	
DRAWN BY as		DATE 3.8.2012	
CHECKED BY vs		DATE 3.8.2012	
DESIGNED BY pl		DATE -	
DRAWING TITLE LENA-LUXEON-K Mechanical drawing		SIZE A3	PART NUMBER
SCALE 1:1		WEIGHT	REV 001
SHEET 1/1			

Luminaire: LEDiL Oy _LENA-SS-DL_(Luxeon_K12) Eff.74.9%
Lamps: 1 x Luxeon K12 (808.5lm@250mA)

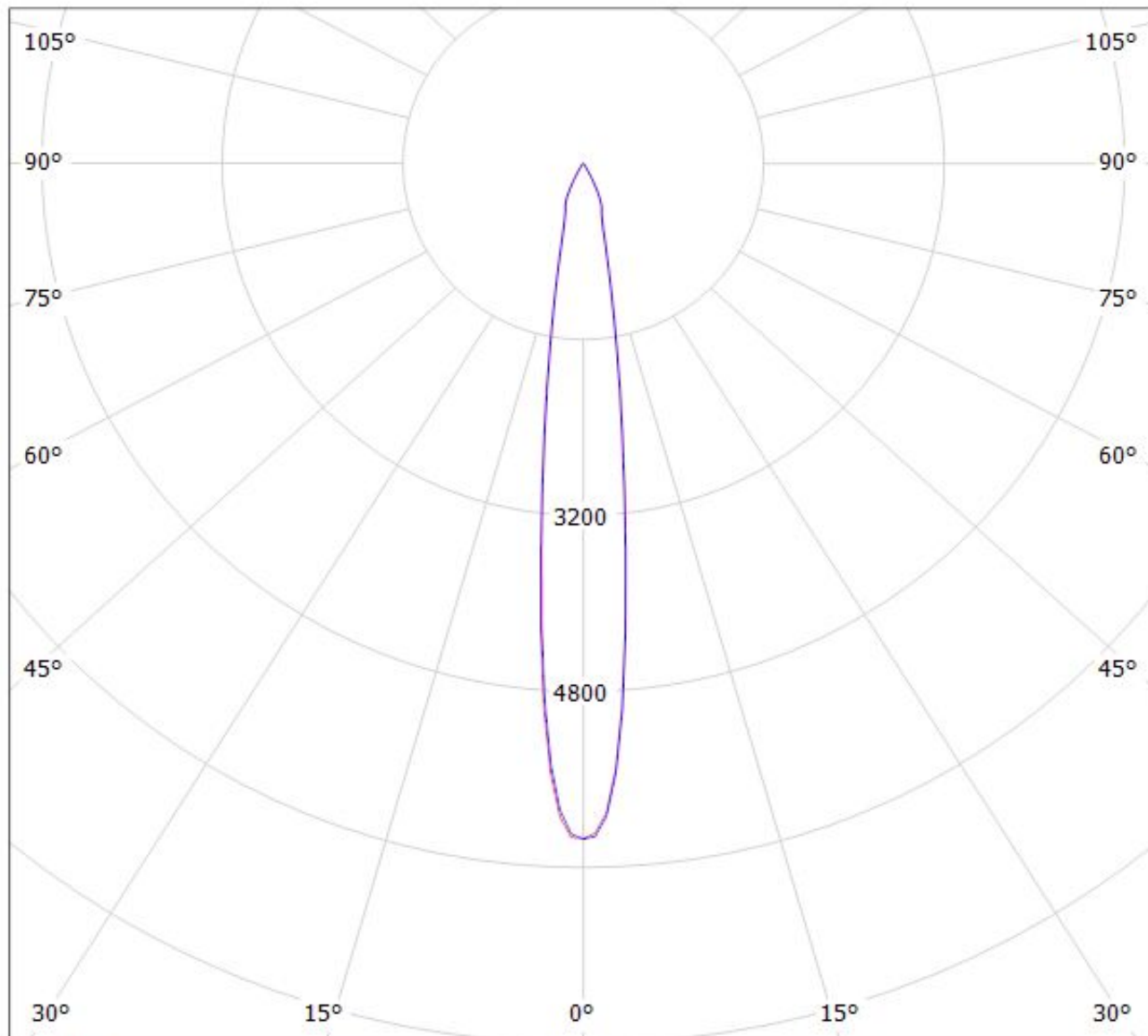


Luminaire: LEDiL Oy CN13261_LENA-SS-DL_(Luxeon_K16) Eff.72.4%
Lamps: 1 x Luxeon_K16 (1208.05lm@250mA)



Luminaire: LEDiL Oy _LENA-SS-DL_(Luxeon_K12) Eff.74.9%

Lamps: 1 x Luxeon K12 (808.5lm@250mA)

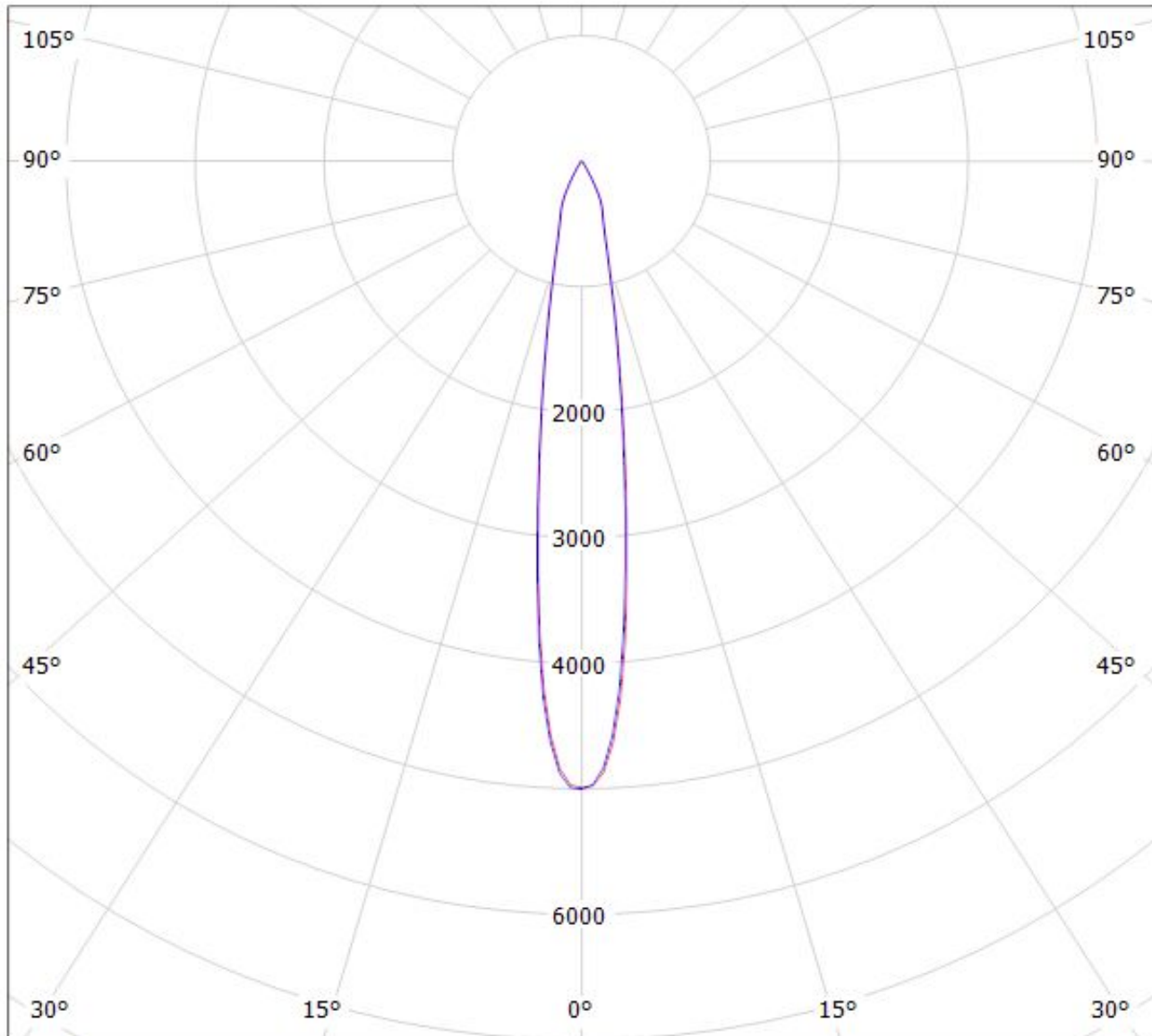


cd/klm

$\eta = 75\%$

— C0 - C180 — C90 - C270

Luminaire: LEDiL Oy CN13261_LENA-SS-DL_(Luxeon_K16) Eff.72.4%
Lamps: 1 x Luxeon_K16 (1208.05lm@250mA)



cd/klm

$\eta = 72\%$

— C0 - C180 — C90 - C270

NOTE: The typical divergence will be changed by different color, chip size and chip position tolerance. The typical total divergence is the full angle measured where the luminous intensity is half of the peak value.