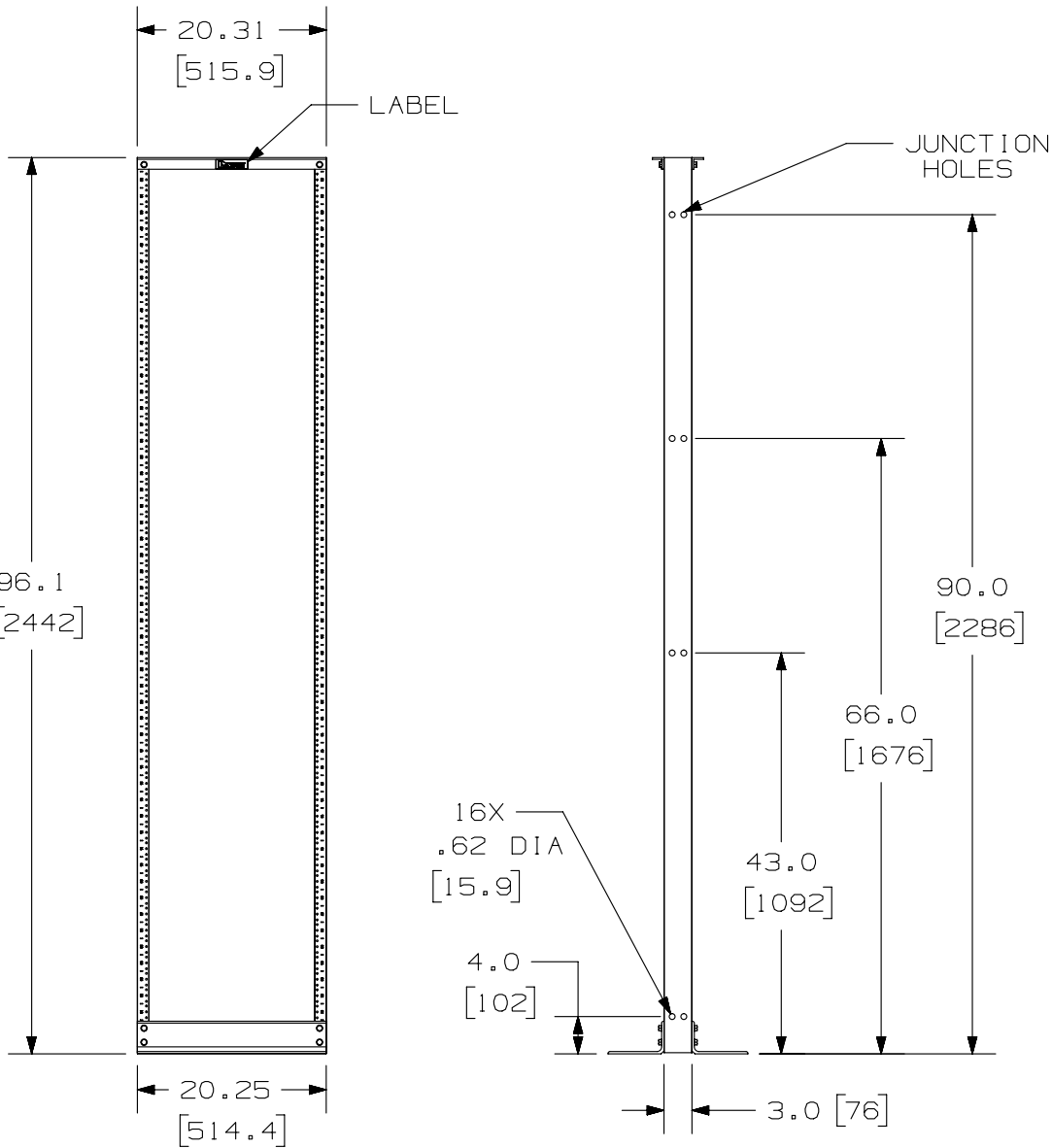


THIS COPY IS PROVIDED ON A RESTRICTED BASIS AND IS NOT TO BE USED IN ANY WAY DETRIMENTAL TO THE INTERESTS OF PANDUIT CORP.



PANDUIT P/N	WEIGHT
R2P96	28.5 LB/EACH (13.0 KG/EACH)

NOTES:

- CAN BE USED WITH ANY INDUSTRY STANDARD 19" COMPONENTS IN ADDITION TO ALL PANDUIT CABLE MANAGEMENT AND PATCH PANEL PRODUCTS.
- WILL HOLD UP TO 52 SINGLE RACK SPACINGS.
- EIA SPACING ON RACK: I.E., REF. HOLE SPACING ON UPRIGHT CHANNELS: .625, .625, .500, .625, .625, .500, ETC.
- ASSEMBLY IS REQUIRED.
- RACK PART THICKNESSES:
 - UPRIGHT CHANNEL: WEB; .14 ±.03
FLANGE; .19 ±.03
 - TOP BRACKET: .19 ±.03
 - BASE BRACKET: .25 ±.03
- DIMENSIONS IN PARENTHESES ARE IN METRIC.
- ALL ASSEMBLY HARDWARE INCLUDED:
 - (12) 3/8-16 X 1" BLACK HEX HEAD CAP SCREW
 - (24) 3/8" PAINT PIERCING GROUNDING WASHER
 - (1) TUBE OF ANTI-OXIDIZING PASTE
 - (12) 3/8-16 BLACK HEX NUTS
 - (24) 12-24 X .5" SLOTTED PAN HEAD STEEL SCREWS
- LOAD RATING - 1000 LBS
- RU SPACING NUMBERS ARE CLEARLY PRINTED ON MOUNTING RAILS. RU NUMBERING IS BOTTOM-UP, WITH RU #1 AT BOTTOM AND RU #45 AT TOP.

TITLE	
8 FOOT CABLE MANAGEMENT RACK (R2P96)	
CUSTOMER DRAWING	
ITEM REVISION NAME	09V064AD/01
DATASET FILE NAME	09V064AD_DC/01A
UNLESS OTHERWISE SPECIFIED, DIMENSIONAL TOLERANCES ARE: IN (mm)	
.X ±	.XXX ±
.XX ±	ANGLES ±
THIRD ANGLE PROJECTION	
MATERIAL: ALUMINUM	
DRAWING NUMBER: 09V064AD-DC	
DRAWN BY	DATE
BAME	5-27-10
CHK	SCALE
DPN	NONE
SHT 1 OF 2	
A	

REV	DATE	BY	CHK	APR	DESCRIPTION	ECN
01A	11-14-13	BAME	PM	CMK	UPDATED VIEWS	09V064AD-DC
00A	5-27-10	BAME	DPN	CMK	DRAWING RELEASED	09V064AD-DC

D10100DA/16

