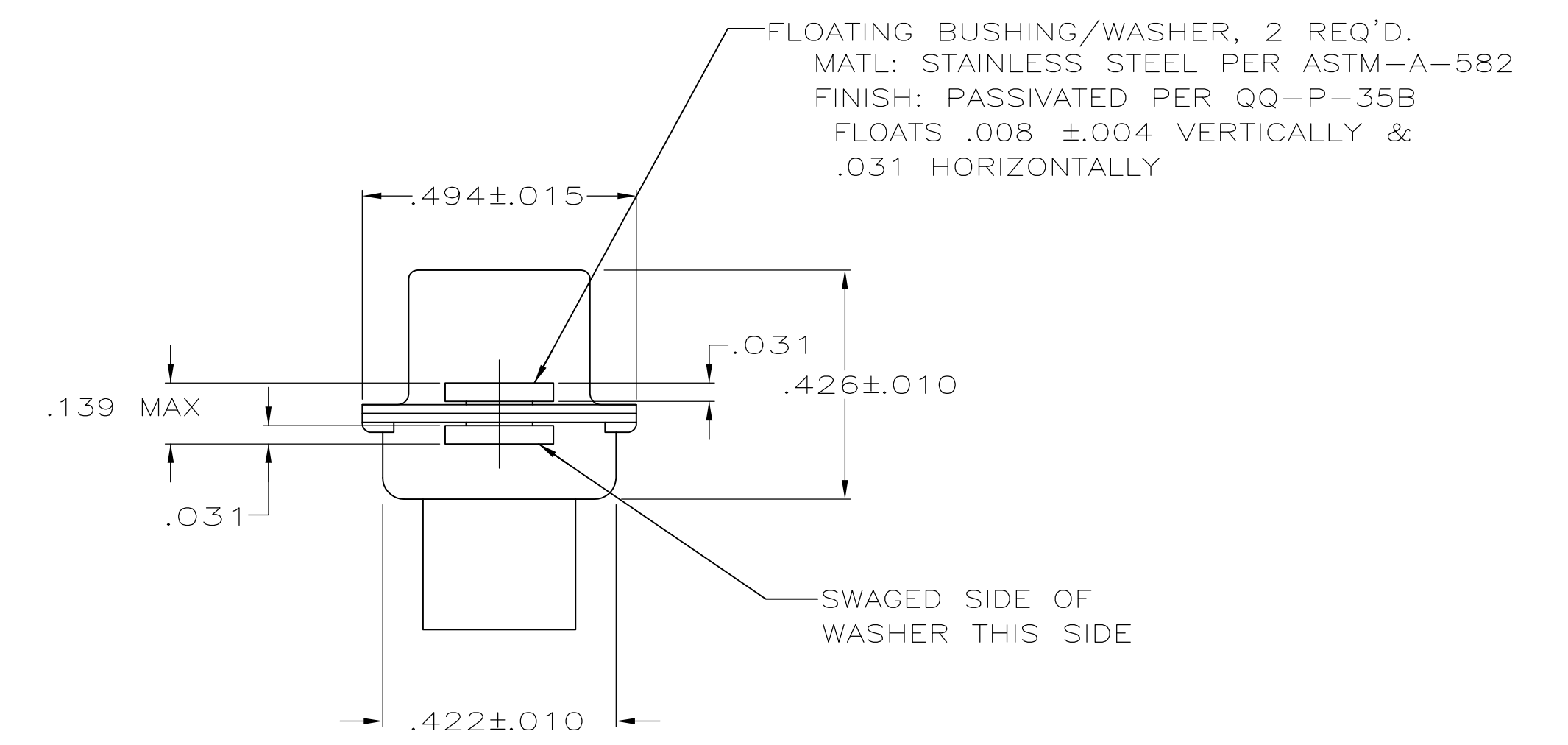
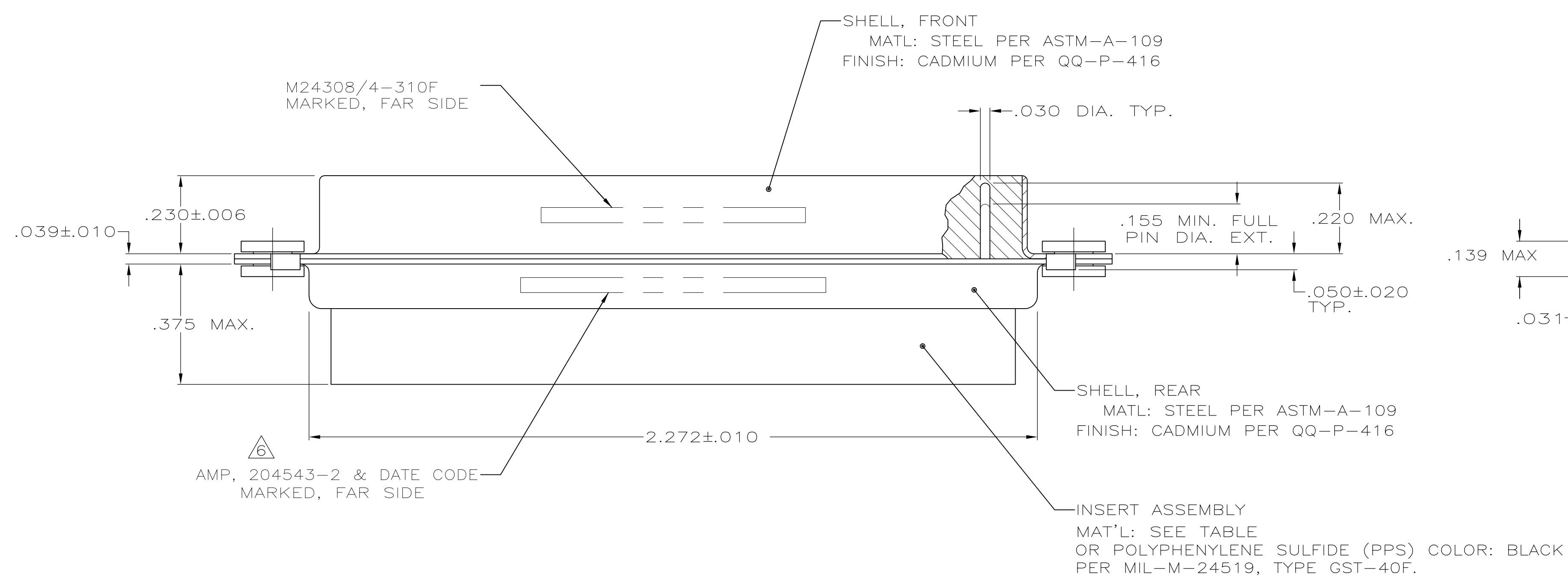
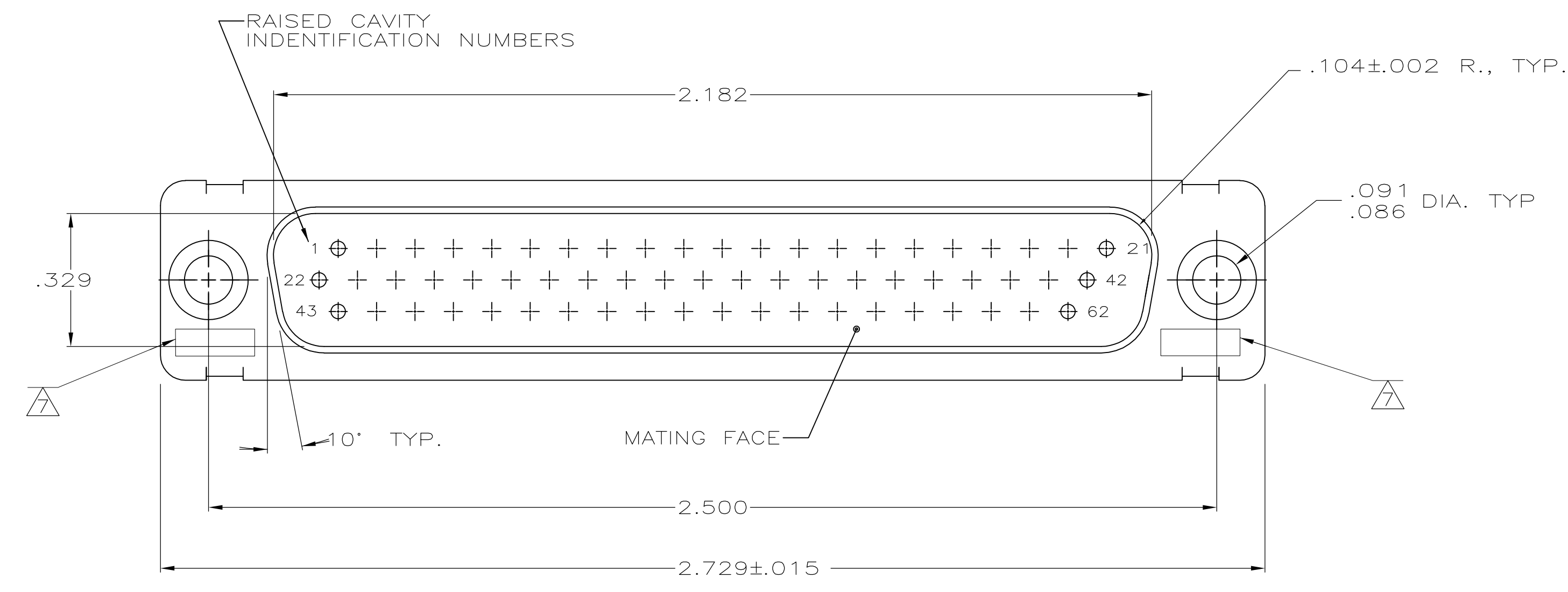


LOC		DIST		REVISIONS			
DF	DO	#	LTR	DESCRIPTION	DATE	DWN	APVD
		P		REV PER ECO 08-019991	22OCT08	PK	BW



- THIS PLUG IS DESIGNED TO CONFORM TO THE LATEST ISSUE OF MIL-C-24308
  - MAX WIRE INSUL. TO BE USED WITH THIS PLUG IS .054 DIA.
  - METAL RETENTION CLIPS ARE INCLUDED IN INSERTS
  - PACKAGE MARKED M 24308/4-332F
  - THIS PLUG WILL ACCEPT SIZE 22 PIN CONTACT M 24308/13 OR AMP # 204370
- △ AMP PART NO. MARKED ON CONNECTOR REPRESENTS KIT NUMBER WITH CONTACTS
- △ UL/CSA DESIGNATION MARKED IN THIS AREA.

SUPSD BY 204531-1	PHENOLIC COLOR: BLACK	204531-2
	DIALYL PATHALATE COLOR: BLUE	204531-1
	INSERT MAT'L	PART NO

THIS DRAWING IS A CONTROLLED DOCUMENT.		DWN C.C. THOMAS 12-4-87	Tyco Electronics Corporation Harrisburg, PA 17105-3608	
DIMENSIONS: INCHES		OK: F.C. BALLEW III 1-25-88	Tyco Electronics	
TOLERANCES UNLESS OTHERWISE SPECIFIED:		APVD: F.C. BALLEW III 1-25-88	NAME AMPLIMITE PLUG FOR PIN CONTACTS HI-DENSITY D CONNECTOR SIZE4, 62 POSN., SERIES 90 WITH FLOAT BUSHINGS	
FINISH SEE CALLOUTS		PRODUCT SPEC APPLICATION SPEC	RESTRICTED TO	
MATERIAL SEE CALLOUTS		WEIGHT —	A1 00779 © 204531	
CUSTOMER DRAWING		SCALE 4:1	SHEET 1 OF 1 REV P	