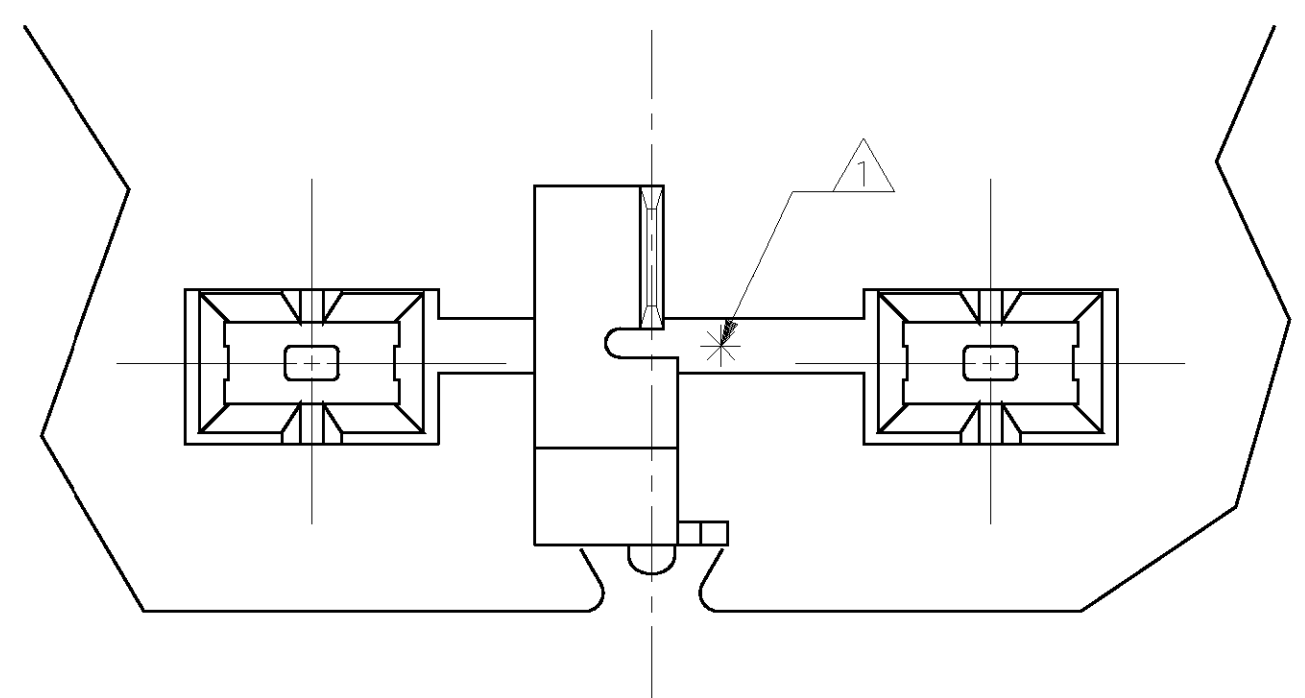
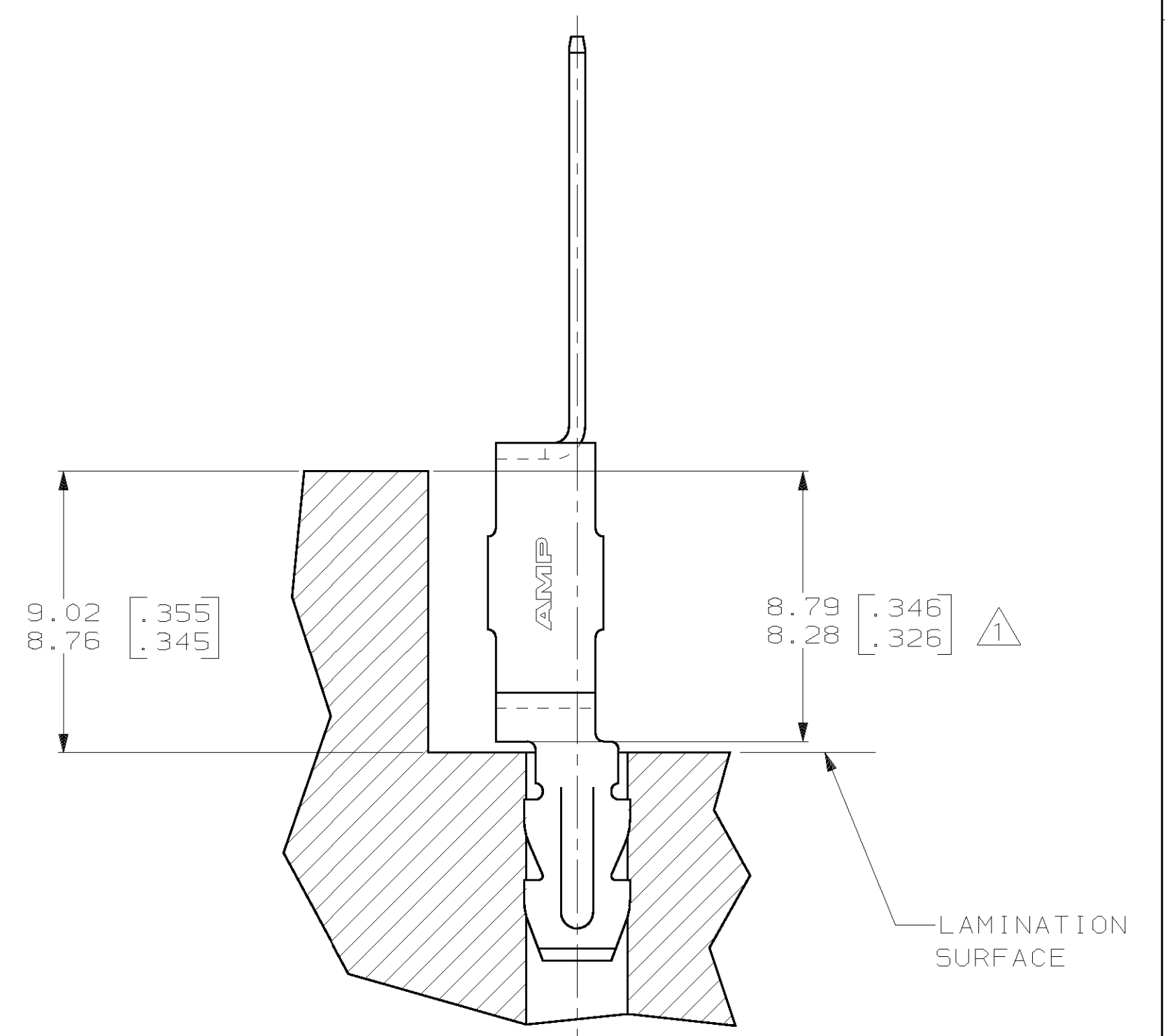
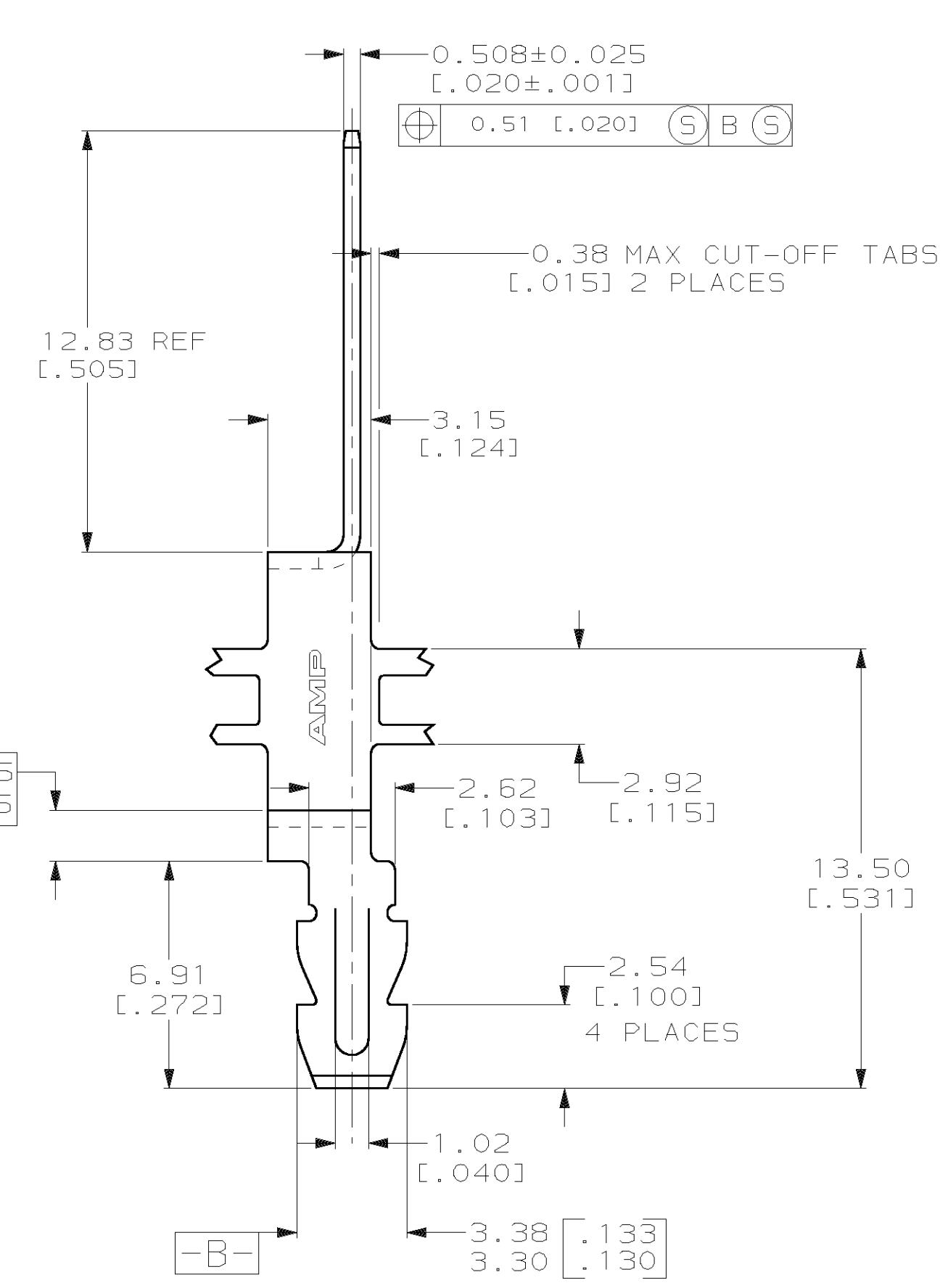
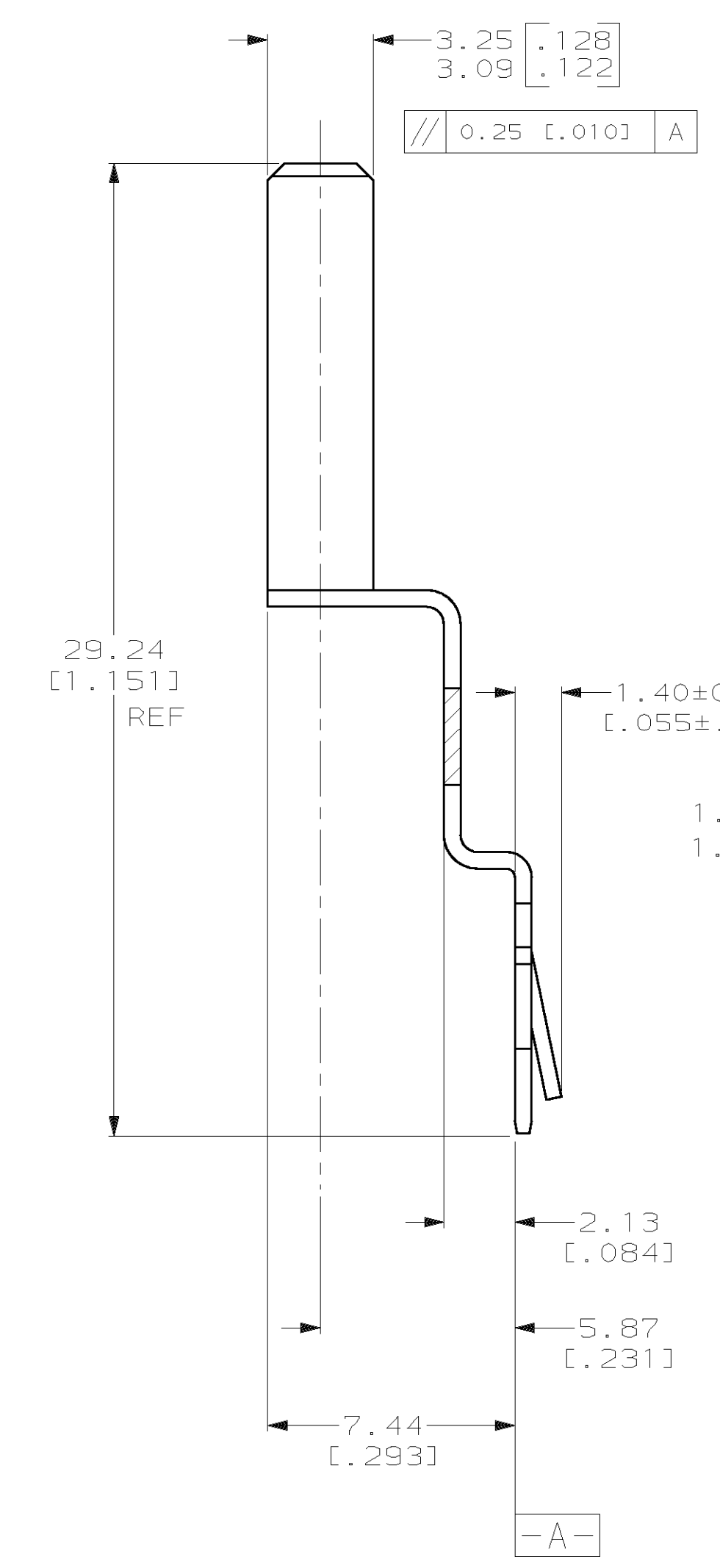
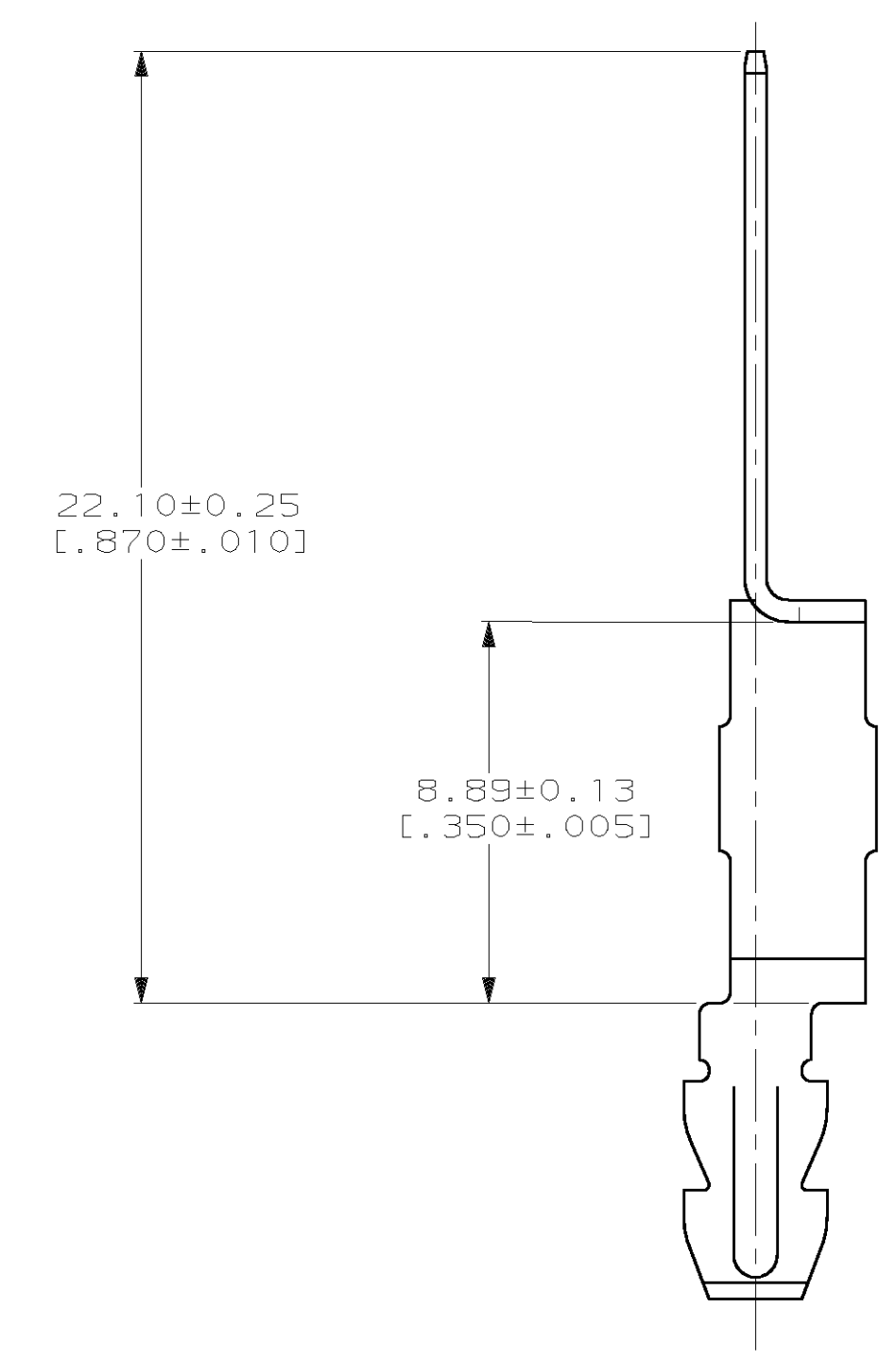
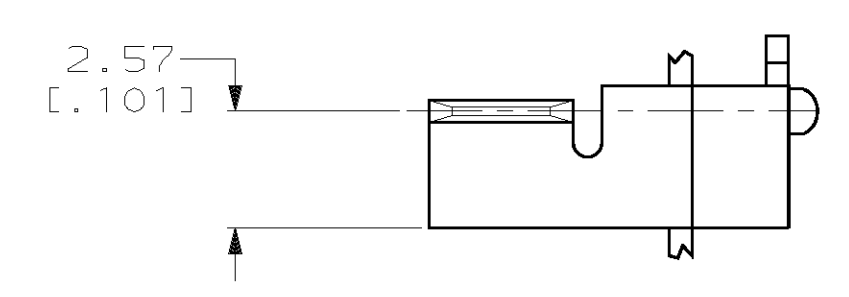


LOC		DIST		P		F		ZONE		LTR		REVISIONS	
DESCRIPTION	DATE	APPD											
C	REVISED LATCH HEIGHT 063A-0009-01	16JAN01	MF-KR										



- 1 POINT OF MEASUREMENT, LOCATED APPROXIMATELY AS SHOWN.
- 2 CONTINUOUS STRIP ON REELS WITH TERMINALS LOCATED ON 16.64±0.076 [.655±.003] CENTERS



INSERTION SPECIFICATION

63878-1
PART NO

DO NOT SCALE PRINT. UNLESS SPECIFIED DIMENSIONS IN mm [INCHES] TOLERANCES ON:	DR 26/SEP/95 R.GRZYBOWSKI	AMP Incorporated Harrisburg, PA 17105-3508
2 PLC DEC ± 0.25 [.010]	CHK 26/SEP/95 M.S.FEHER	
3 PLC DEC ± -	APPD 26/SEP/95 NELSON E. NEFF	
ANGLES ± -	APPD 26/SEP/95 TERRY L. SHUTTER	NAME
MATERIAL	PRODUCT SPEC	TERMINAL, GROUNDING, 3.18 [.125] TAB, MAG-MATE™
FINISH	APPLICATION SPEC	SIZE
0.002032 [.000080] MIN PRE-TIN PER MIL-T-10727	-	D 00779
	WEIGHT	CAGE CODE
		G-63878
		DRAWING NO
		SCALE
		6:1
		SHEET
		1 OF 1

THIS DRAWING IS A CONTROLLED DOCUMENT FOR AMP INCORPORATED. IT IS SUBJECT TO CHANGE AND THE CONTROLLING ENGINEERING ORGANIZATION SHOULD BE CONTACTED FOR THE LATEST REVISION.