

1 2 3 4 5 6

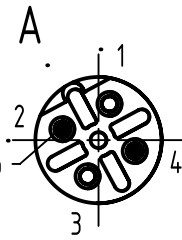
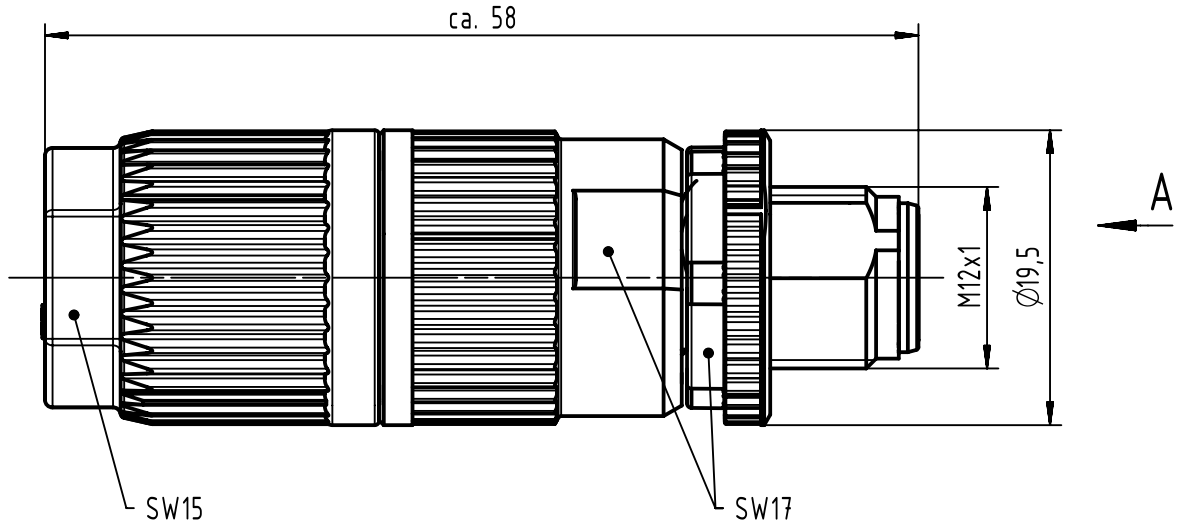
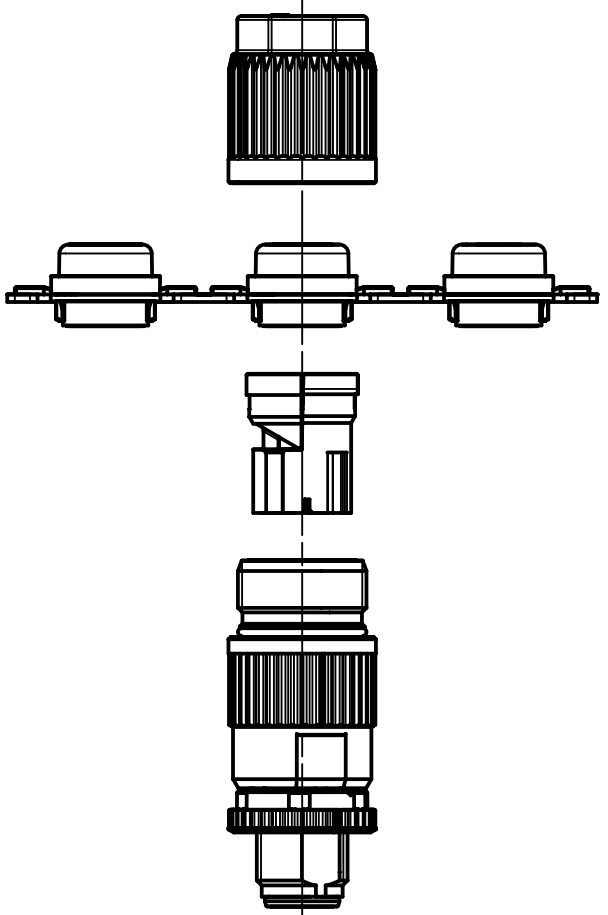
A

B

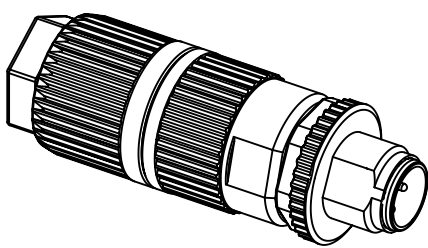
C

D

(1:1)



Contact face acc. to IEC 60176-2-101



Leiterquerschnitt <i>conductor cross section</i>	0,34mm ² AWG22
Kabeldurchmesser <i>cable outside diameter</i>	4,5 - 8,8mm

	All Dimensions in mm Original Size DIN A4	Scale	Free size tol.			Ref.
		2:1				Sub.
All rights reserved Department EC PD - DE	HARTING Electronics GmbH D-32339 Espelkamp	Created by	Inspected by	Standardisation	Date	State
		DYCKC	WELLMANN	HOFFMANN	2014-02-27	Final Release
Title HARTING M12-L male shielded 2-pole B-coded					Doc-Key / ECM-Nr. 100195414/UGD/002/E 500000072045	
		Type	Number		Rev.	Page
		TB	21032411301		E	1/1