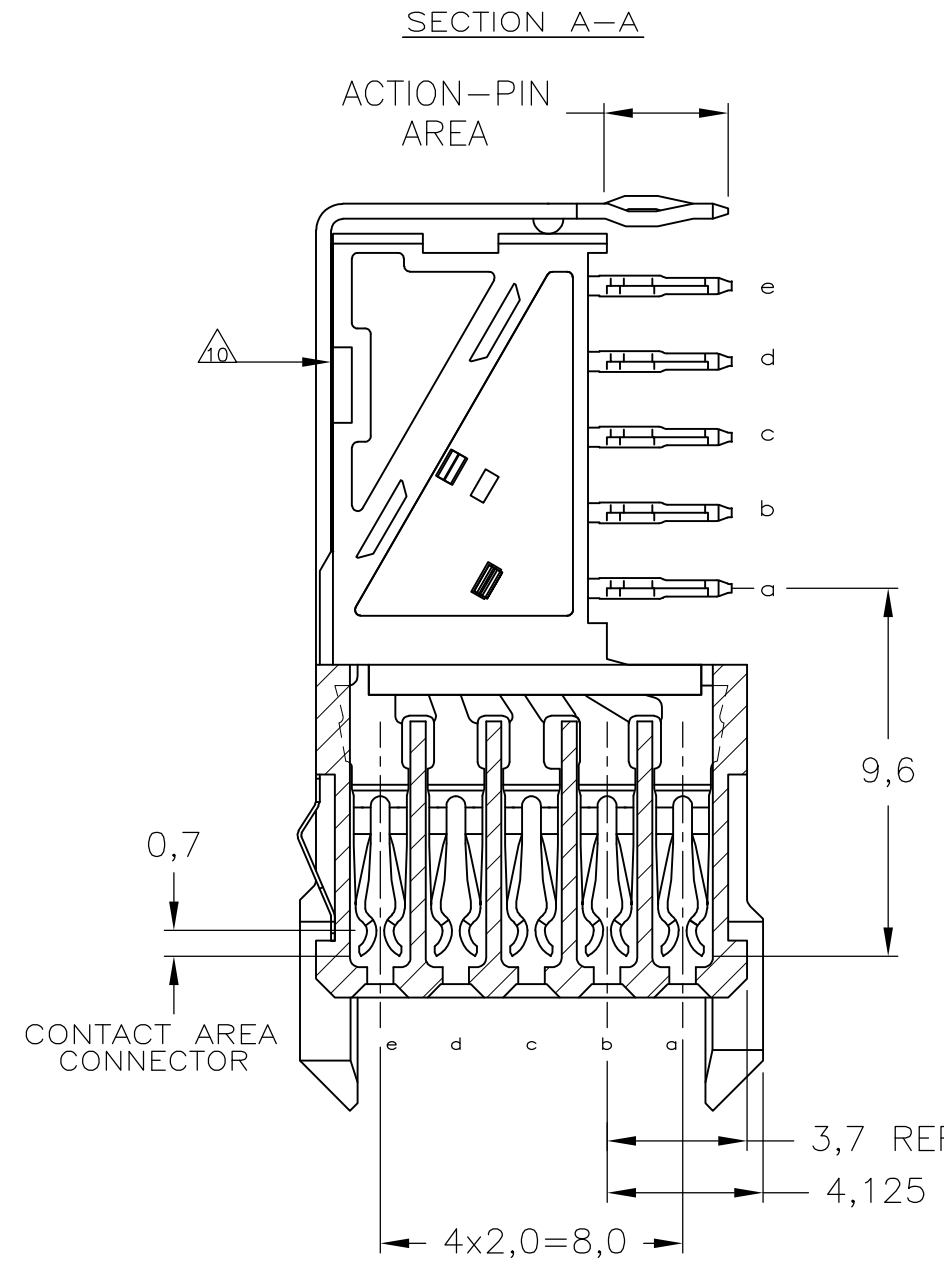
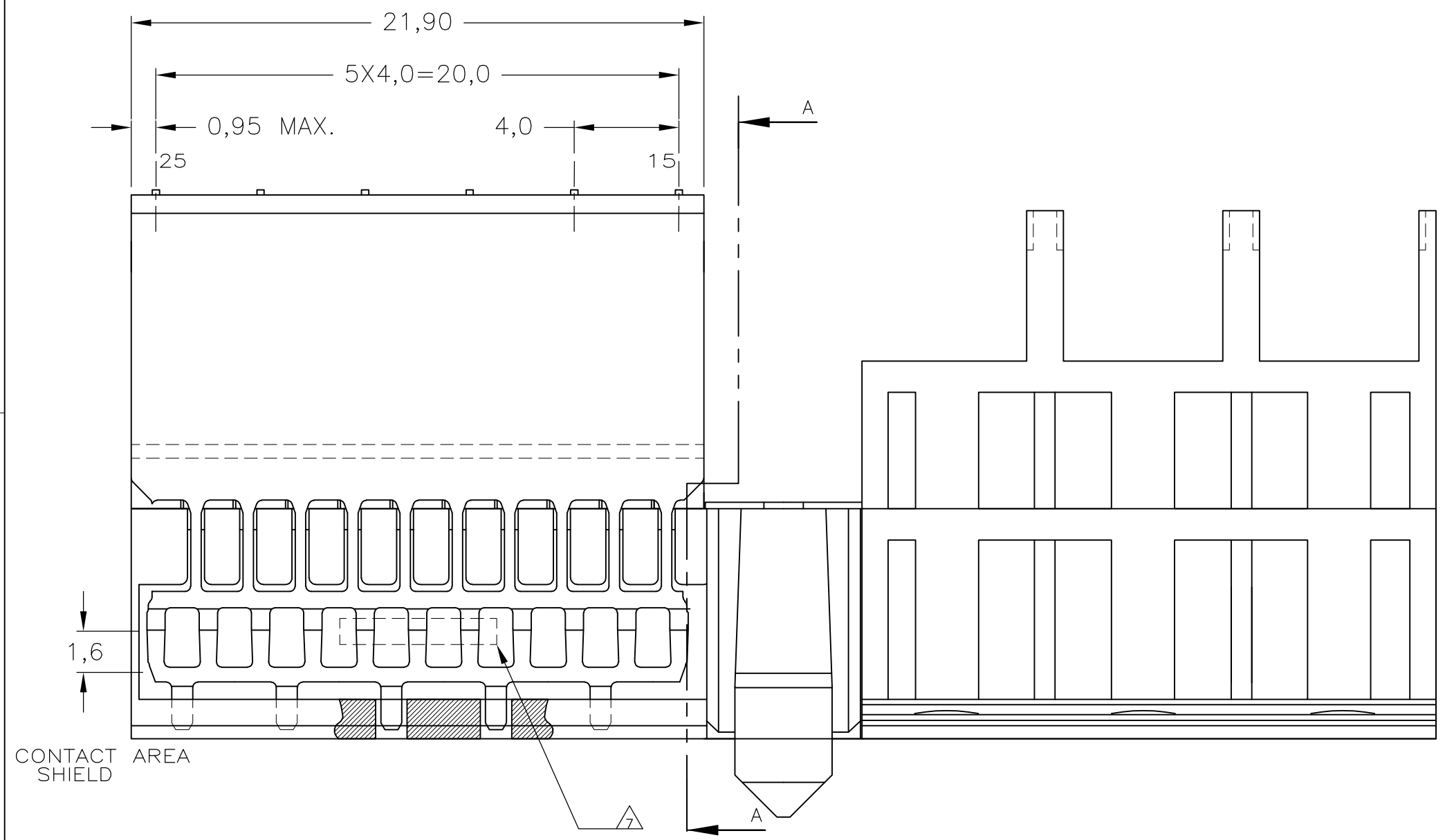
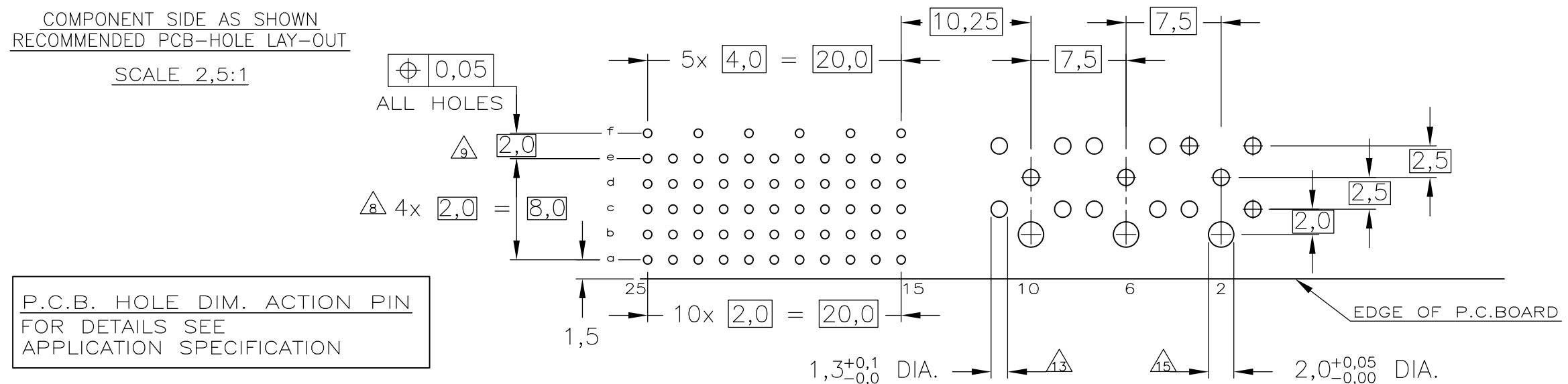
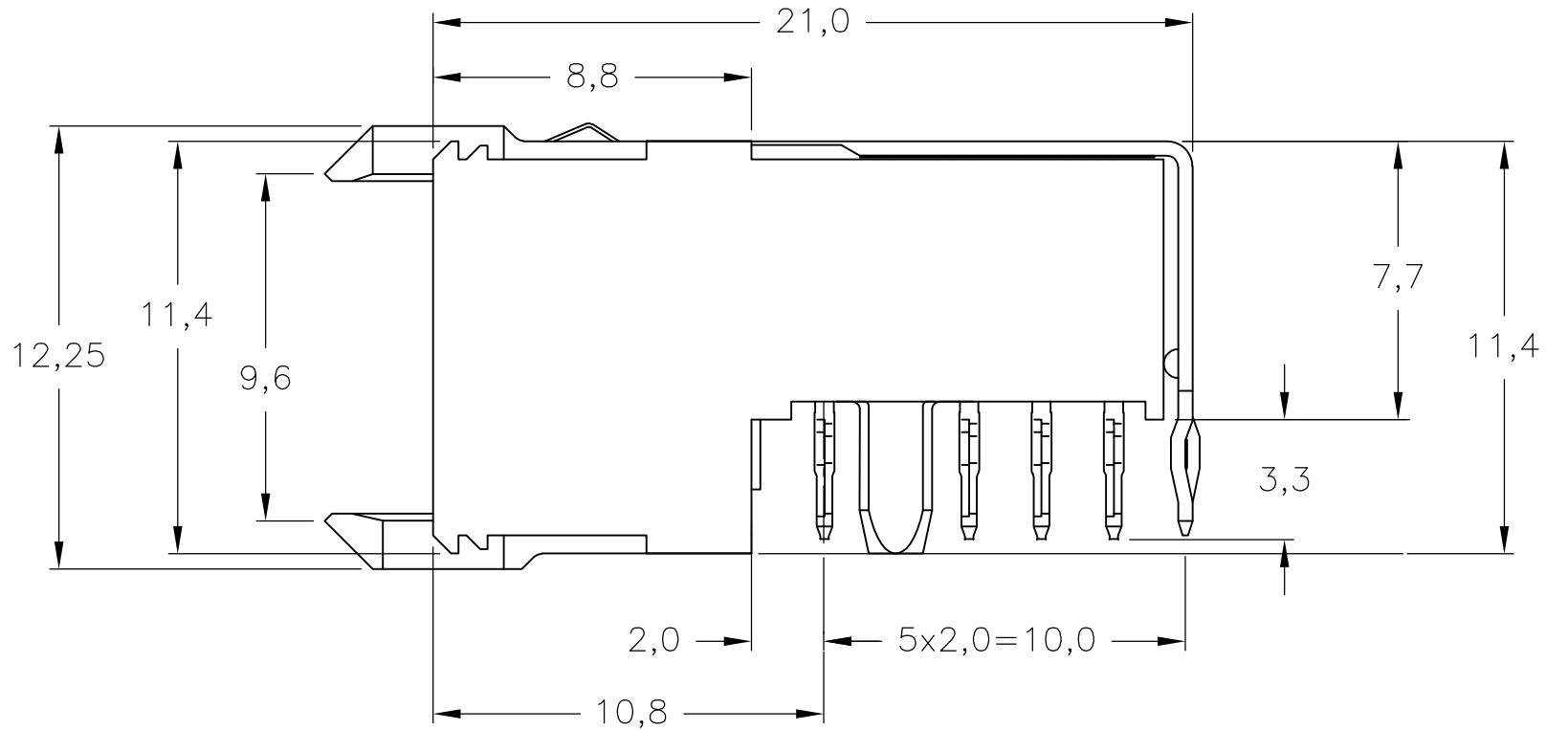
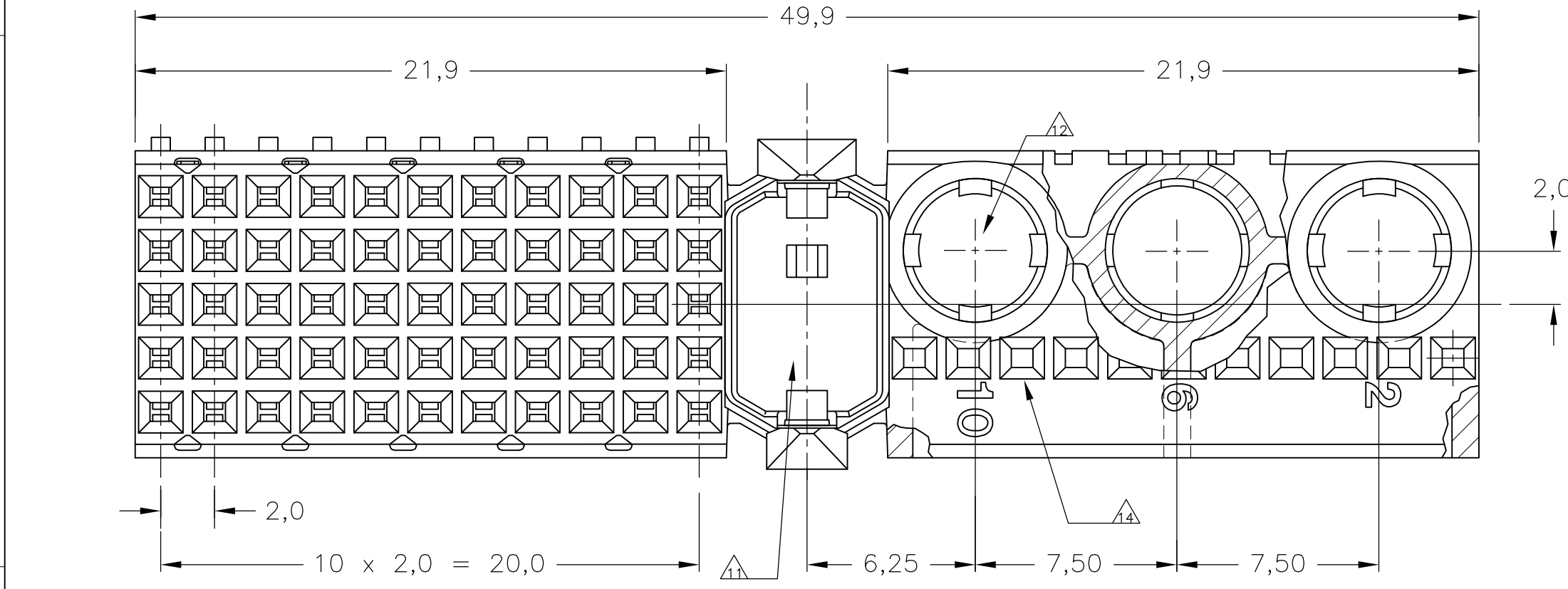


THIS DRAWING IS UNPUBLISHED. RELEASED FOR PUBLICATION  
 © COPYRIGHT BY TYCO ELECTRONICS CORPORATION. ALL RIGHTS RESERVED.

LOC	DIST	REVISIONS					
		P	LTR	DESCRIPTION	DATE	DWN	APVD
H	-		B2	ECR-07-030919	21DEC2007	JvH	BM
			C	ECR-10-018652	10SEP10	SW	MQW



- NOTES:
- 1 MATERIAL CONTACTS ; PHOSPHORBRONZE  
MATERIAL SHIELDING ; PHOSPHORBRONZE  
MATERIAL HOUSING ; GLASSFILLED POLYESTER (GRAY)  
UL-RATING 94V0.
  - 2 GENERAL PLATING SPECIFICATION: UNDERPLATING  
(ENTIRE CONTACT): 1,27µm NICKEL MIN. AND ACTION  
PIN: 0,5µm TIN MIN.  
FOR PLATING OF MATING SURFACES SEE APPLICABLE  
SPECIFICATION REFERENCE FOR EACH DASH NUMBER.
  - 3 CONFORMS TO ALL TESTING ACCORDING IEC 61076-4-101  
PERFORMANCE LEVEL 2.
  - 4 CONNECTOR TESTED AND QUALIFIED AGAINST TELCORDIA GR-1217-CORE  
QUALITY LEVEL III, CENTRAL OFFICE APPLICATIONS.
  - 5 CONNECTOR LUBRICATED WITH TELCORDIA GR-1217-CORE APPROVED LUBRICANT.
  - 6 PLATING SHIELD :  
CONTACT AREA : 0,76µm Au MIN.  
ACTION PIN : 0,5µm Sn MIN.  
REMAINDER : Ni
  - 7 ASSEMBLY PRINTED WITH P/N AND DATE CODE  
THE MARKING CAN APPEAR ON THE FRONT SIDE  
OR BACK SIDE
  - 8 HOLE PATTERN FOR FEMALE CONNECTOR TYPE M  
55 PLATED-THROUGH HOLES AT 2x2mm SQUARE GRID
  - 9 ROW "f" 6 PLATED THROUGH HOLES FOR UPPERSHIELD
  - 10 SHIELD MOUNTED ON CONNECTOR WITH DOUBLE SIDED  
ADHESIVE TAPE OR ADHESIVE
  - 11 AREA RESERVED FOR KEYING PART (BASIC P.N. 100526)
  - 12 CONTACT CAVITIES (3x) SUITABLE FOR 4,8 DIA. HIGH CURRENT,  
HIGH FREQUENCY OR FIBRE OPTIC CONTACTS AS PER DIN 41626  
(SEE ALSO NOTE 13).
  - 13 1,3 DIA. PLATED-THROUGH HOLES (15x) CAN BE OMITTED  
IF SPECIAL CONTACTS WITH CABLE CONNECTION OR FIBRE  
OPTIC CONTACTS ARE USED.
  - 14 THIS ROW OF 11 CAVITIES (B1 TO B11) FOR  
CONNECTOR ASSEMBLY PURPOSE ONLY.
  - 15 NOT PLATED-THROUGH HOLES (3x).
  - 16 FITS WITH LOWERSHIELD BASIC P/N 5352112



FINISH		MATERIAL		PARTNUMBER	
2 4 5 6		1		5352177-9	
2 3 6		1		5352177-1	

THIS DRAWING IS A CONTROLLED DOCUMENT.		DWN K.N.KIRAN 20AUG2004	Tyco Electronics Corporation 's-Hertogenbosch,5222AR-32			
DIMENSIONS: mm	TOLERANCES UNLESS OTHERWISE SPECIFIED: ±0.2	CHK B.MOOIJ 27OCT2004	NAME Z-PACK 2mm HM TYPE M (55 POS.) PRE-SHIELDED RECEPTACLE			
		APVD B.MOOIJ 27OCT2004	NAME PRE-SHIELDED RECEPTACLE			
		PRODUCT SPEC 108-19082	SIZE A2	CAGE CODE 00779	DRAWING NO C=5352177	RESTRICTED TO -
		APPLICATION SPEC 114-19029	WEIGHT -		SCALE 5:1	SHEET 1 OF 1
MATERIAL -	FINISH -	CUSTOMER DRAWING		REV C		